



**CITY OF PORT ST. LUCIE
UTILITY SYSTEMS DEPARTMENT**

UTILITY STANDARD DETAILS

2020 EDITION

EFFECTIVE 01/01/20

APPENDIX B – 2019 STANDARD DETAILS

DETAIL #

TITLE

General

G-01	<u>Standard Separation Requirements</u>
G-02	<u>Conflicts</u>
G-03	<i>For Future Use</i>
G-04	<u>Standard Pipe Trench Cross Section</u>
G-05	<u>Utility Road Cut Pavement Restoration</u>
G-06	<u>Pipe Casing for Jack & Bore</u>
G-07	<u>Typical Valve Box & Collar</u>
G-08	<u>Pipe Support</u>
G-09	<u>Pipeline Restraint Requirements</u>
G-10	<u>Wet Tap Assembly</u>
G-11	<u>Fence Details</u>
G-12	<u>Pig Launching Station</u>
G-13	<u>Aerial Crossing Detail</u>
G-14	<u>Temporary Jumper Connection</u>
G-15	<u>Bollard Detail</u>
G-16	<u>Canal Crossing Sign</u>

Wastewater Pump Station

PS-01	<u>Three Phase Duplex Grinder System</u>
PS-02	<u>Duplex Grinder System Control Panel</u>
PS-03	<u>Grinder System Service Line Tap to Main Line</u>
PS-04	<u>Lift Station Wet Well Section</u>
PS-05	<u>Lift Station Control Panel</u>
PS-06	<u>Grinder System Water Meter & Backflow Prevention Assembly</u>
PS-07	<u>Lift Station Water Meter & Backflow Prevention Assembly</u>
PS-08	<u>Lift Station Typical RTU Antenna</u>
PS-09A	<u>Grinder Station Signage</u>
PS-09B	<u>Lift Station Signage</u>
PS-10	<u>ACL with Fiber</u>
PS-11	<u>ACL with Radio</u>
PS-12	<u>Soft Start with Fiber</u>
PS-13	<u>Soft Start with Radio</u>
PS-14	<u>Lift Station Site Plan Sample</u>
PS-15	<u>Duplex Grinder (2 HP) 240V, Single Phase</u>
PS-16	<u>Duplex Grinder (2-5 HP) 240V, 3-Phase</u>
PS-17	<u>Duplex Grinder (2-5 HP) 208V, 3-Phase</u>
PS-18	<u>Duplex Lift Station (10HP) 240V, 3-Phase</u>
PS-19	<u>Duplex Lift Station (11-47HP) 480V, 3-Phase</u>

Reclaimed Water Metering Station

RW-01	<u>Reclaimed Water Metering Station</u>
RW-02	<u>Reclaimed Water I/O Schematic</u>
RW-03	<u>Reclaimed Water Conduit & Panel Schematic</u>
RW-04	<u>Reclaimed Water Site Signage</u>
RW-05	<u>Reclaimed Water Metering Facility</u>
RW-06	<u>Reclaimed Water Stilling Well</u>

Potable Water

W-01	<u>Residential Water Service Connection</u>
W-02	<u>Commercial Water Service Connection</u>
W-03	<u>Meter & Backflow Assembly -3" & Larger</u>
W-04	<u>Blow-off Assembly</u>
W-05	<u>Water Sampling Point</u>
W-06	<u>Fire Hydrant Assembly</u>
W-07	<u>Fire Service Backflow Assembly</u>
W-08	<u>Fire Hydrant RPM Placement Guideline</u>
W-09	<u>Temporary Jumper Connection Up to 8" Pipe</u>
W-10	<u>Automatic Air Release Valve</u>
W-11	<u>Automatic Flushing Valve</u>
W-12	<u>Manual Air Release Valve Assembly</u>

Wastewater

WW-01	<u>Invert Flow Channels for Manholes</u>
WW-02	<u>Standard Precast Manhole</u>
WW-03	<u>Drop Manhole</u>
WW-04	<u>Manhole / Wetwell Joint Detail</u>
WW-05	<u>Sanitary Sewer Cleanout</u>
WW-06	<u>Sanitary Sewer Lateral (Shallow)</u>
WW-07	<u>Sanitary Sewer Lateral (Deep)</u>
WW-08	<u>Automatic Air Release Valve Unpaved Areas</u>
WW-09	<u>Force Main Air Valve & Access Manhole</u>
WW-10	<u>Grease/Oil/Sand Interceptor</u>

MINIMUM SEPARATION BETWEEN PSLUSD FACILITIES AND OTHER UTILITIES

OTHER PIPE	HORIZONTAL SEPARATION	CROSSINGS (1)	JOINT SPACING @ CROSSINGS (FULL JOINT CENTERED)
GRAVITY OR PRESSURE SANITARY SEWER, SANITARY SEWER FORCE MAIN, RECLAIMED WATER (2), (3), VACUUM SANITARY SERVICE, STORM SEWER, STORM SEWER FORCE MAIN	<p style="text-align: center;">10' MINIMUM</p>	<p style="text-align: center;">18' MINIMUM</p>	<p style="text-align: center;">6' MINIMUM</p>
ALL OTHER FACILITIES, INCLUDING BUT NOT LIMITED TO: TELEPHONE, CABLE TV, POWER, ETC.	<p style="text-align: center;">5' MINIMUM</p>	<p style="text-align: center;">18' MINIMUM</p>	<p style="text-align: center;">3' MINIMUM</p>
ON-SITE SEWAGE TREATMENT AND DISPOSAL SYSTEM	<p style="text-align: center;">10' MINIMUM</p>	<p style="text-align: center;">*****</p>	<p style="text-align: center;">*****</p>

- (1) WATER MAIN SHOULD CROSS OVER OTHER PIPE. WHEN WATER MAIN MUST BE BELOW OTHER PIPE, THE MINIMUM SEPARATION IS 18".
- (2) RECLAIMED WATER REGULATED UNDER PART III OF CHAPTER 62-610, F.A.C.
- (3) RECLAIMED WATER NOT REGULATED UNDER PART III OF CHAPTER 62-610, F.A.C.
- (4) A PSLUSD FACILITY INCLUDES MAINS AND STRUCTURES FOR POTABLE WATER, WASTEWATER AND RECLAIMED WATER.



**MINIMUM CONSTRUCTION STANDARDS FOR
CITY OF PORT ST. LUCIE**
 900 S.E. OGDEN LANE
 PORT ST. LUCIE, FL 34983
 PHONE (772) 873-6400 FAX (772) 873-6433

STANDARD SEPARATION REQUIREMENTS

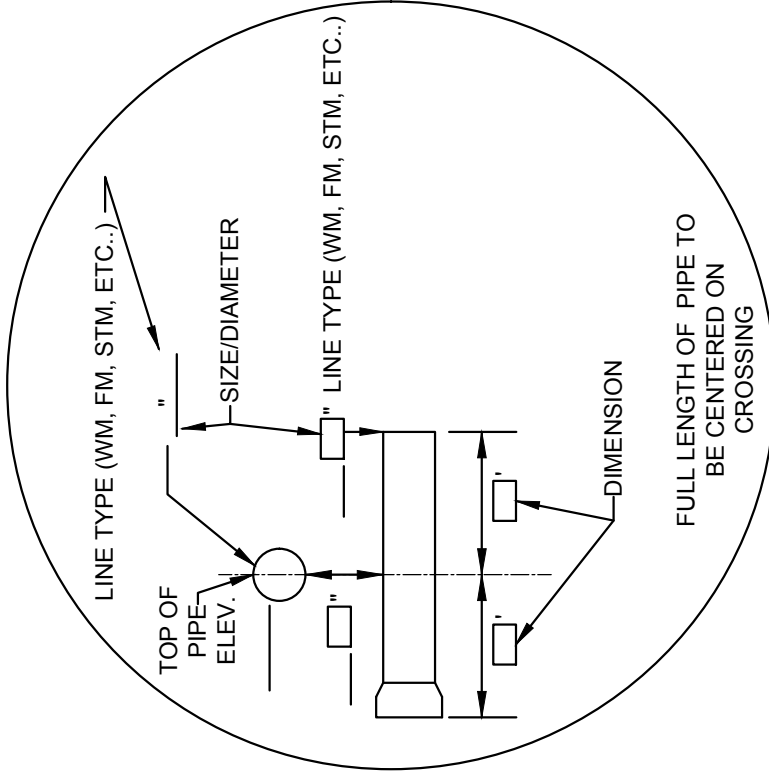
DETAIL: G-01
DATE: 2019
SCALE: N.T.S.
SHEET: 1 OF 1



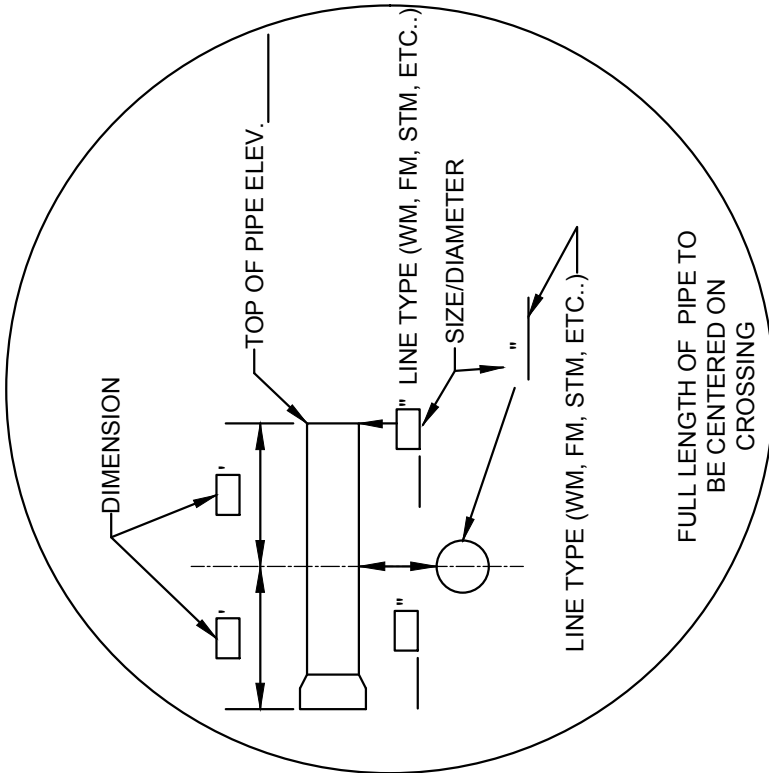
MINIMUM CONSTRUCTION STANDARDS FOR
 CITY OF PORT ST. LUCIE
 900 S.E. OGDEN LANE
 PORT ST. LUCIE, FL 34983
 PHONE (772) 873-6400 FAX (772) 873-6433

CONFLICT DETAILS

DETAIL: G-02
 DATE: 2019
 SCALE: N.T.S.
 SHEET: 1 OF 1



CONFLICT NUMBER _____

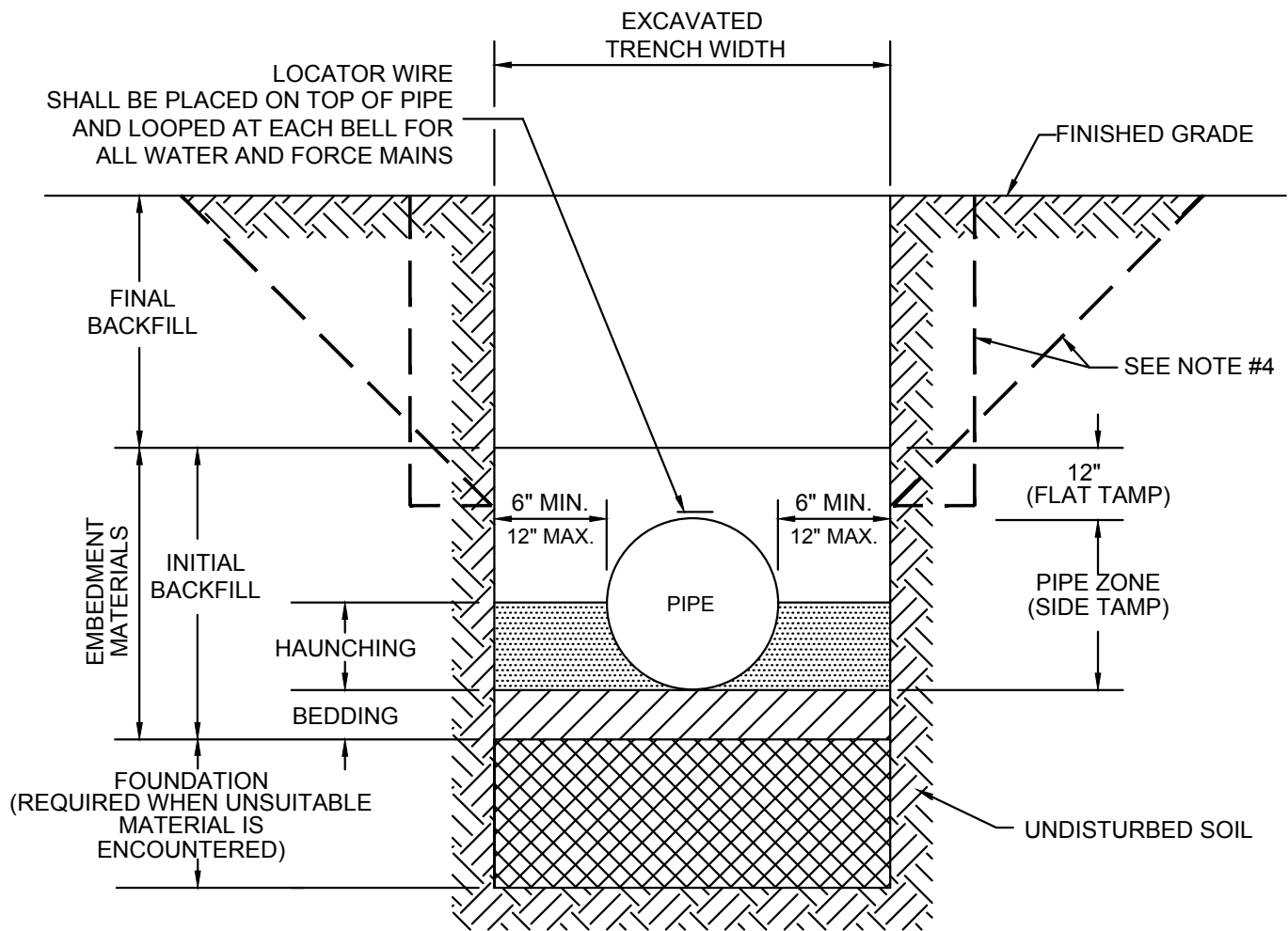


CONFLICT NUMBER _____

NOTES:

1. DESIGN PLAN INFORMATION ON THE BLANK LINE.
2. RECORD DRAWING INFORMATION IN THE BOX.
3. CONFLICTS MUST BE IN NUMERICAL SEQUENCE (1, 2, 3, ETC...)
4. MUST MEET PSLUSD STANDARD SEPARATION REQUIREMENTS OF 18" MIN.

***Intentionally Blank
For Future Use***



NOTES:

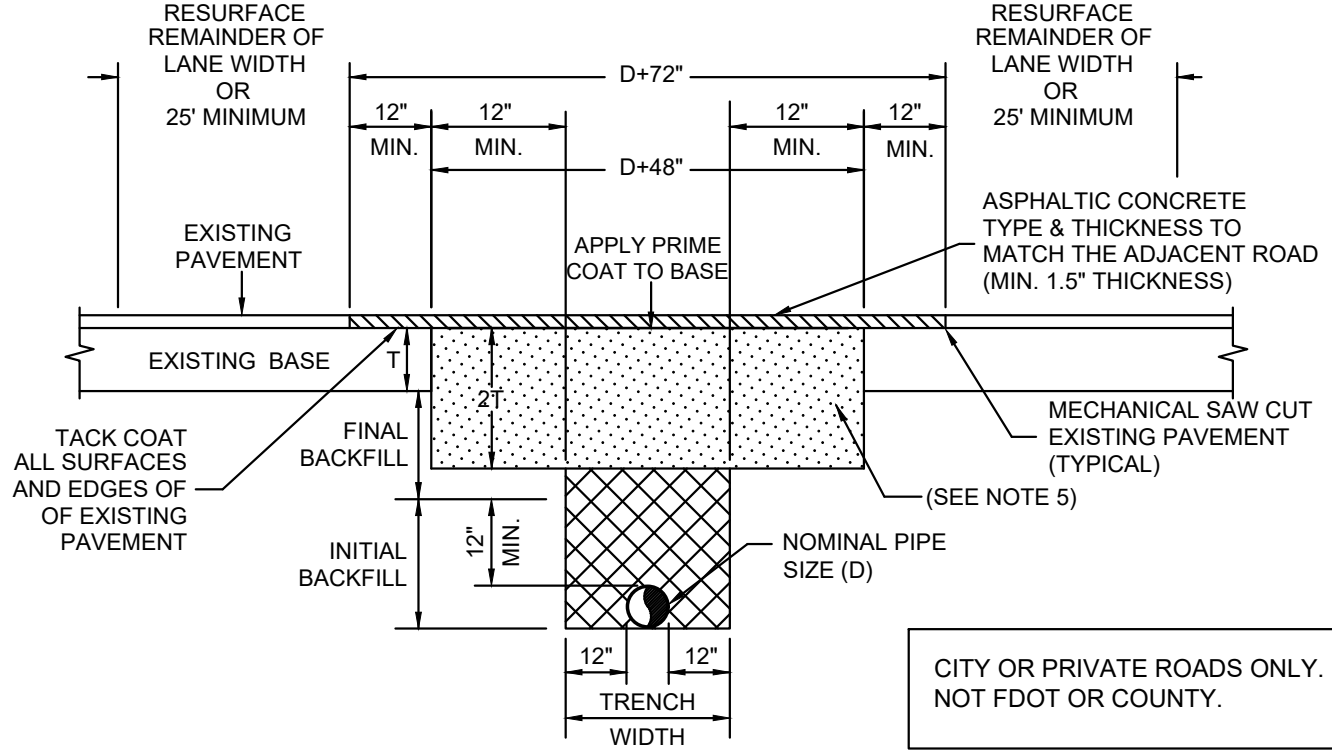
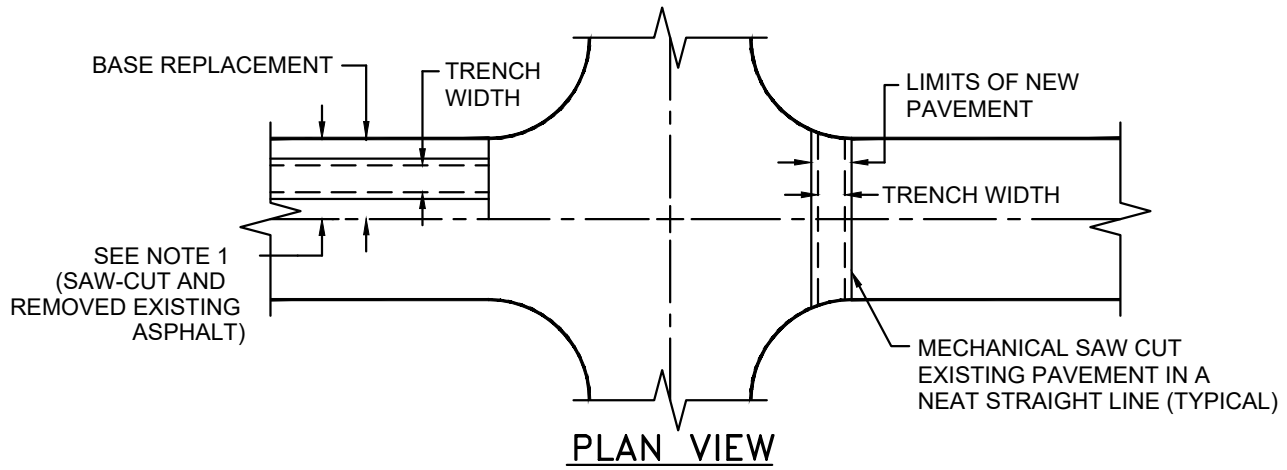
1. FOR TRENCHES REQUIRING SHEETING, SHORING, STAY BRACING, TRENCH JACKS OR TRENCH BOX, DIMENSIONS SHALL BE TAKEN FROM THE INSIDE FACE OF THE SUPPORTS.
2. IF THE MAXIMUM TRENCH WIDTH MUST BE EXCEEDED, THE AREA OUTSIDE OF THE MAXIMUM EMBEDMENT SHALL BE COMPACTED TO FINAL BACKFILL REQUIREMENTS. IF THE PIPE IS INSTALLED IN A COMPACTED EMBANKMENT, THE EMBANKMENT SHALL BE IN PLACE AND COMPACTED TO 12" MIN. COVER BEFORE INSTALLATION OF PIPE.
3. IF BEDDING IS REQUIRED TO BRING TRENCH BOTTOM UP TO GRADE AND PROVIDE UNIFORM AND ADEQUATE LONGITUDINAL SUPPORT UNDER THE PIPE, THEN A MINIMUM COMPACTED DEPTH OF 4 TO 6 INCHES OF SELECT EMBEDMENT MATERIAL IS REQUIRED.
4. THE CONTRACTOR SHALL COMPLY WITH REQUIREMENTS OF THE FLORIDA TRENCH SAFETY ACT.
5. AN APPROVED LOCATOR WIRE SHALL BE USED.
6. EARTHWORK, EXCAVATION, BACKFILL AND COMPACTION SHALL BE IN ACCORDANCE WITH PSLUSD STANDARDS.



**MINIMUM CONSTRUCTION STANDARDS FOR
CITY OF PORT ST. LUCIE
900 S.E. OGDEN LANE
PORT ST. LUCIE, FL 34983
PHONE (772) 873-6400 FAX (772) 873-6433**

**STANDARD PIPE TRENCH CROSS
SECTION**

DETAIL: G-04
DATE: 2019
SCALE: N.T.S.
SHEET: 1 OF 1



CITY OR PRIVATE ROADS ONLY.
NOT FDOT OR COUNTY.

NOTES:

SECTION VIEW

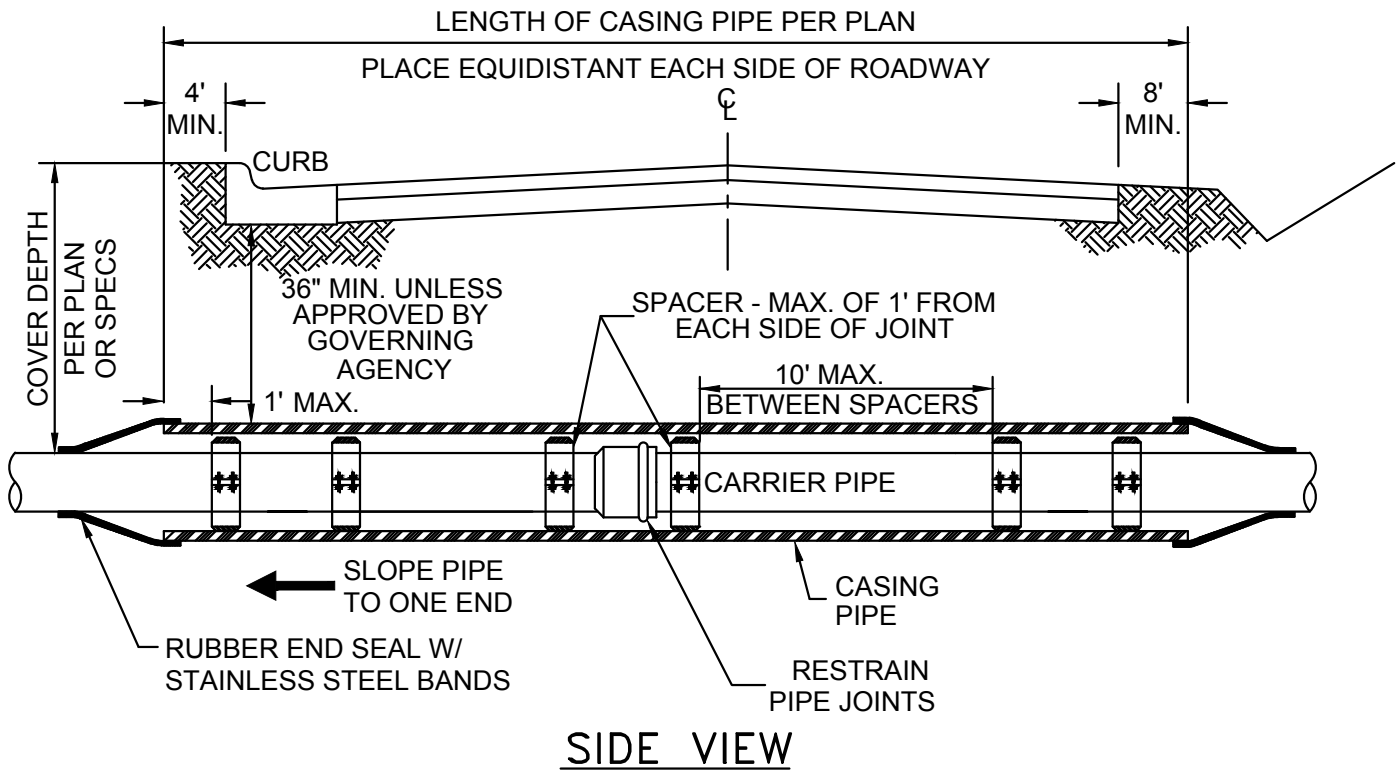
1. LONGITUDINAL CUTS SHALL HAVE A MINIMUM OF 25' BEYOND THE SAW CUT RESURFACED PERPENDICULAR CUTS SHALL HAVE FULL LANE WIDTH RESURFACING
2. WHEN AN ARTERIAL OR MAJOR COLLECTOR STREET IS OPEN CUT WITHIN THE LIMITS OF THE ROADWAY INTERSECTION, THE ENTIRE INTERSECTION SHALL BE OVERLAID WITH ASPHALTIC CONCRETE.
3. WHEN STREETS OTHER THAN ARTERIALS OR MAJOR COLLECTORS ARE OPEN CUT MORE THAN TWO TIMES AT THE INTERSECTION, THE ENTIRE INTERSECTION SHALL BE OVERLAID WITH ASPHALTIC CONCRETE. TWO OPEN CUTS OR LESS AT THE INTERSECTION WILL REQUIRE OVERLAYING WITH ASPHALT ONLY IN THE OPEN CUT AREA
4. THE CONTRACTOR SHALL BE REQUIRED TO DOCUMENT ALL PAVEMENT MARKINGS AND RPM'S PRIOR TO OVERLAY. THE CONTRACTOR SHALL THEN PLACE NEW PAVEMENT MARKINGS AT THE SAME LOCATIONS. PAVEMENT MARKINGS SHALL BE IN ACCORDANCE TO F.D.O.T. STANDARDS.
5. COQUINA OR LIMEROCK (16" MIN.) LBR=100
6. EARTHWORK, EXCAVATION, BACKFILL AND COMPACTION SHALL BE IN ACCORDANCE WITH PSLUSD STANDARDS. ALL BACKFILL SHALL MEET DENSITY REQUIREMENTS OF 100% AASHTO T-180.
7. ASPHALT SHALL BE: MIN. 1.5" SP-9.5 ON LOCAL STREETS, MIN. 2.5" SP-9.5 ON COLLECTOR ROADWAYS, AND MIN. 3.0" SP-9.5 ON ARTERIAL ROADWAYS
8. SUBGRADE SHALL BE GRANULAR AND ANGULAR AND SHALL HAVE A MINIMUM LBR OF 40
9. ASPHALT PAVING OF TRENCH TO BE COMPLETED 30 DAYS PRIOR TO FULL RESURFACING OF LIMITS TO ALLOW FOR SETTLEMENT



**MINIMUM CONSTRUCTION STANDARDS FOR
CITY OF PORT ST. LUCIE
900 S.E. OGDEN LANE
PORT ST. LUCIE, FL 34983
PHONE (772) 873-6400 FAX (772) 873-6433**

**UTILITY ROAD CUT PAVEMENT
RESTORATION**

DETAIL: G-05
DATE: 2021
SCALE: N.T.S.
SHEET: 1 OF 1



CARRIER PIPE SIZE	STEEL CASING	MINIMUM WALL THICKNESS
4"	12"	.188
6"	14"	.250
8"	16"	.250
10"	20"	.250
12"	24"	.250
16"	32"	.375
20"	40"	.375
24"	48"	.500
30"	60"	.625
36"	72"	.625
42"	84"	.625
48"	96"	.625

NOTES:

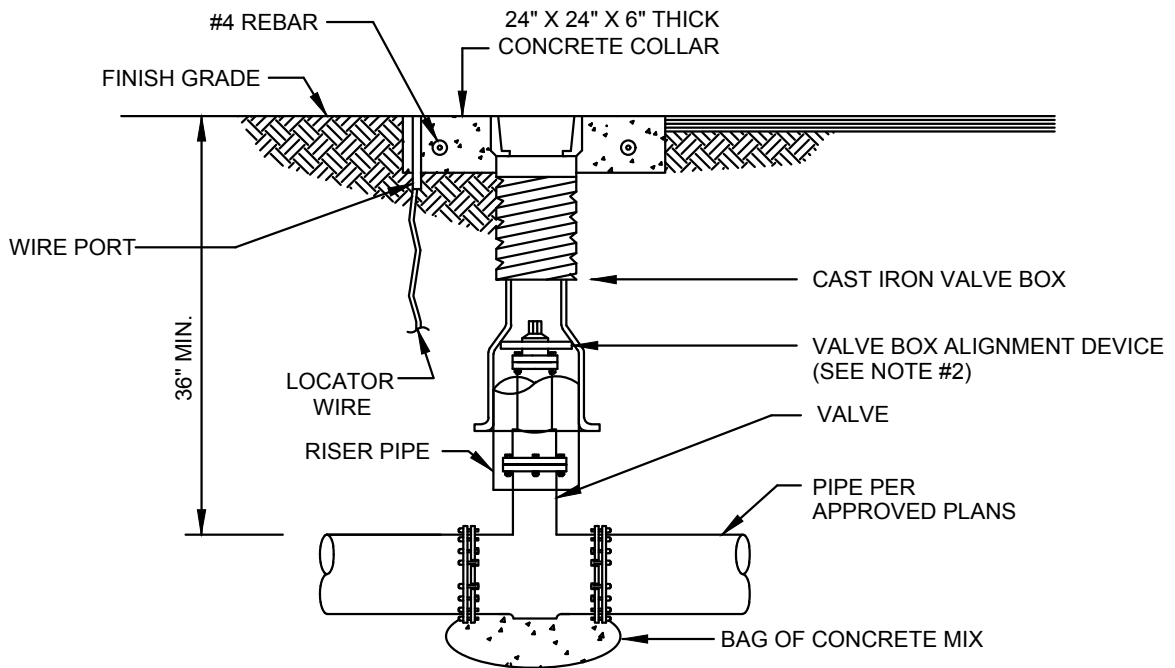
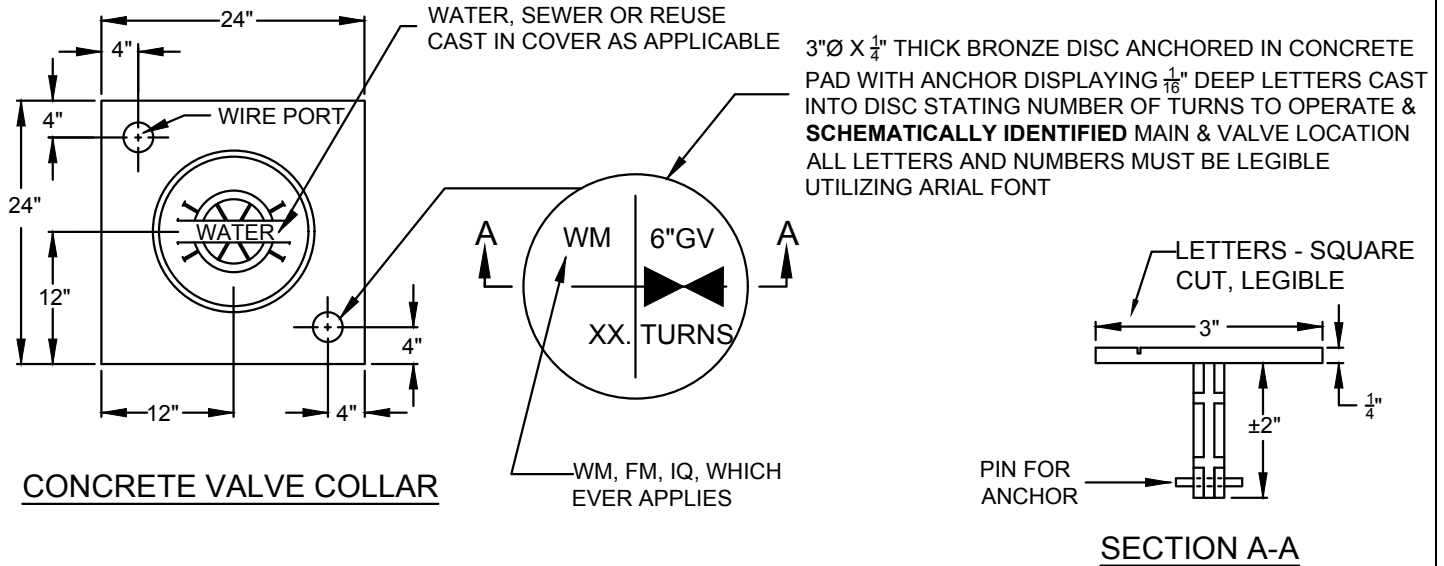
1. ALL WORKMANSHIP AND MATERIAL TO MEET PSLUSD UTILITY STANDARDS MANUAL.
2. INSULATOR SHALL BE SIZED TO ALLOW CLEARANCE BETWEEN BELL JOINT AND CASING WALL OR RESTRAINT DEVICE AND CASING WALL.
3. PETROLEUM PRODUCTS SHALL NOT BE USED FOR LUBRICATION ON ANY PORTION OF THIS ASSEMBLY WITH PVC CARRIER PIPE.



**MINIMUM CONSTRUCTION STANDARDS FOR
CITY OF PORT ST. LUCIE
900 S.E. OGDEN LANE
PORT ST. LUCIE, FL 34983
PHONE (772) 873-6400 FAX (772) 873-6433**

PIPE CASING FOR JACK AND BORE

**DETAIL: G-06
DATE: 2019
SCALE: N.T.S.
SHEET: 1 OF 1**



NOTES:

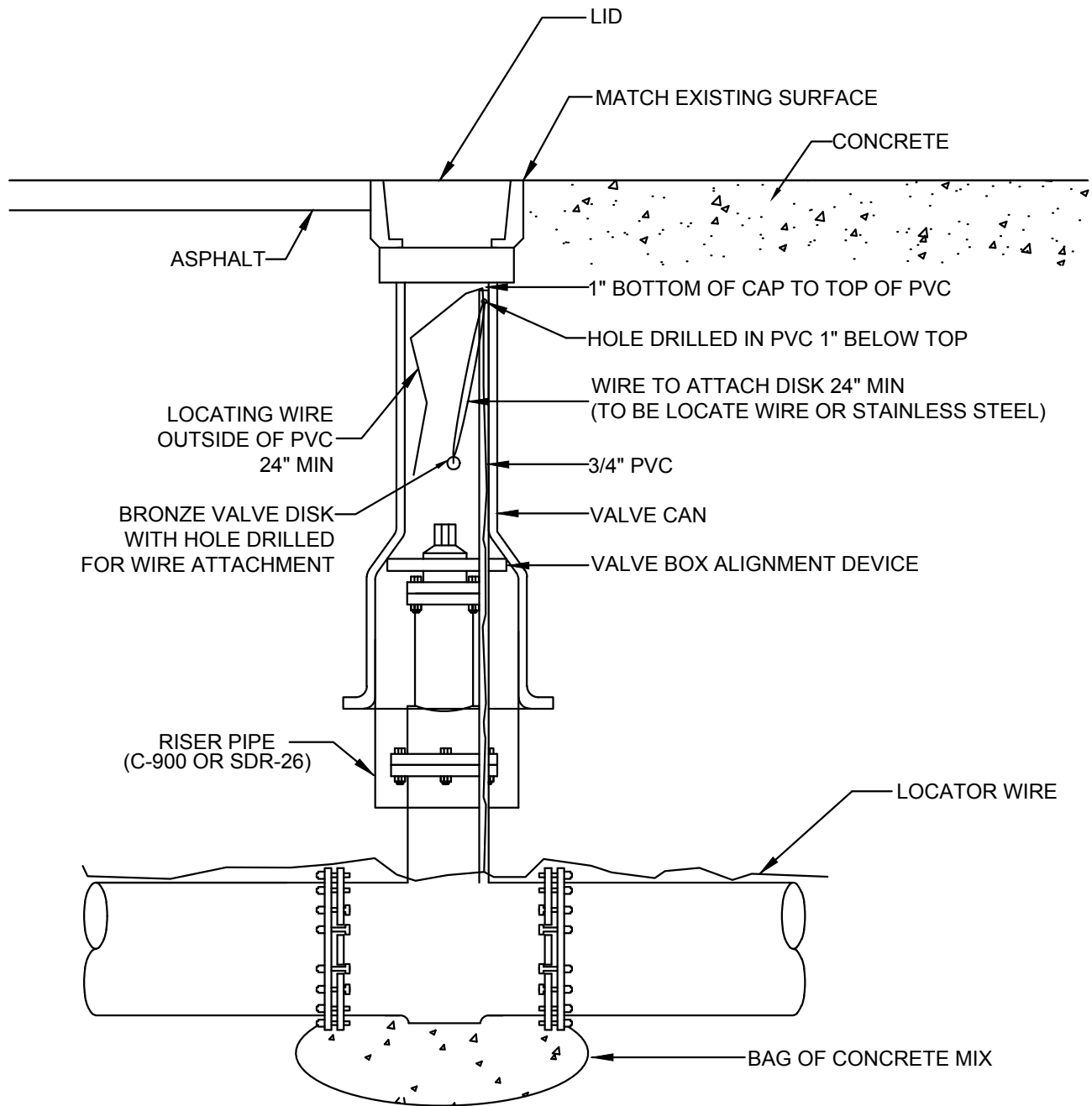
1. WHEN TOP OF OPERATING NUT IS DEEPER THAN 30", A HIGH STRENGTH STEEL EXTENSION WILL BE REQUIRED TO BRING OPERATING NUT 24"-30" BELOW FINISHED GRADE. A STEEL CENTERING PLATE, WELDED TO THE EXTENSION, IS ALSO REQUIRED.
2. A VALVE BOX ALIGNMENT DEVICE SHALL BE PROVIDED TO ELIMINATE SHIFTING OF THE VALVE BOX AGAINST THE OPERATING NUT.
3. C900 OR SDR-26 P.V.C. RISER PIPE SHALL BE ADDED TO EXTEND THE VALVE BOX IF NEEDED.
4. RPM'S SHALL NOT BE INSTALLED IN CROSSWALKS OR PEDESTRIAN WALKWAYS.
5. THE TOP SIDE OF THE VALVE BOX COVER AND THE INSIDE OF TOP SECTION OF THE VALVE BOX SHALL BE PAINTED BLUE FOR WATER MAINS, GREEN FOR SEWER MAINS AND PURPLE FOR RECLAIMED WATER MAINS.



**MINIMUM CONSTRUCTION STANDARDS FOR
CITY OF PORT ST. LUCIE
900 S.E. OGDEN LANE
PORT ST. LUCIE, FL 34983
PHONE (772) 873-6400 FAX (772) 873-6433**

**TYPICAL VALVE BOX AND COLLAR
IN UN-PAVED AREA**

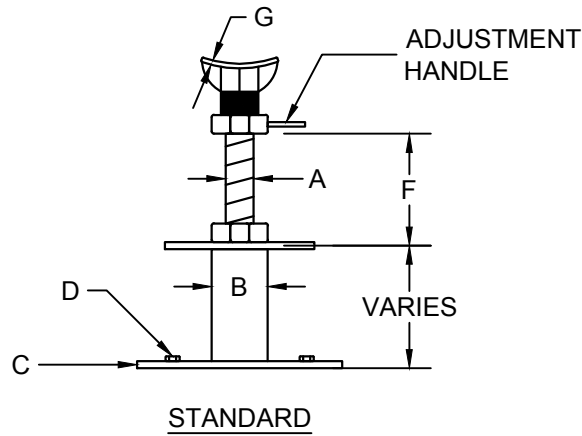
DETAIL: G-07
DATE: 2019
SCALE: N.T.S.
SHEET: 1 OF 2



**MINIMUM CONSTRUCTION STANDARDS FOR
 CITY OF PORT ST. LUCIE
 900 S.E. OGDEN LANE
 PORT ST. LUCIE, FL 34983
 PHONE (772) 873-6400 FAX (772) 873-6433**

TYPICAL VALVE BOX IN PAVED AREA

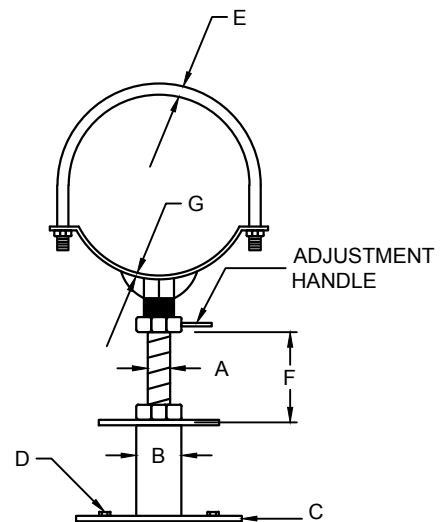
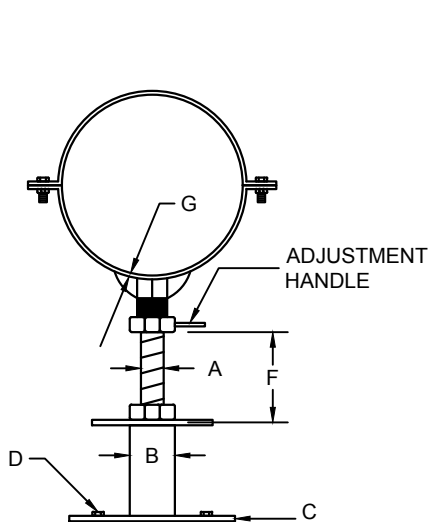
DETAIL: G-07
DATE: 2019
SCALE: N.T.S.
SHEET: 2 OF 2



PIPE SIZE	THREAD DIAMETER (A)	PIPE DIAMETER (B)	BASE (C)	HOLE DIAMETER (D)	U-BOLT (E)	VERTICAL ADJUSTMENT (F)	STOCK SIZE (G)
2"	1"	2"	1/4" X 6" X 6"	9/16"	3/8"	6"	3/16" X 2-1/2"
3"	1"	2-1/2"	1/4" X 6" X 6"	9/16"	3/8"	6"	3/16" X 2-1/2"
4"	1"	2-1/2"	1/4" X 6" X 6"	9/16"	1/2"	6"	3/16" X 2-1/2"
6"	1-1/2"	2-1/2"	1/4" X 6" X 6"	9/16"	1/2"	6"	1/4" X 3"
8"	1-1/2"	3"	3/8" X 9" X 9"	11/16"	1/2"	6"	1/4" X 3"
10"	1-1/2"	3"	3/8" X 9" X 9"	11/16"	5/8"	6"	1/4" X 3"
12"	1-1/2"	3"	3/8" X 11" X 11"	13/16"	3/4"	6"	1/4" X 3"

NOTES:

1. 1/4" NEOPRENE SEAT OR GASKET TO BE PLACED BETWEEN PIPE AND SUPPORT.
2. SUPPORT MATERIAL TO BE 316 STAINLESS STEEL.
3. STAINLESS STEEL WEDGE ANCHOR BOLTS.



OPTIONAL CONFIGURATIONS

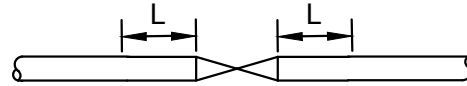
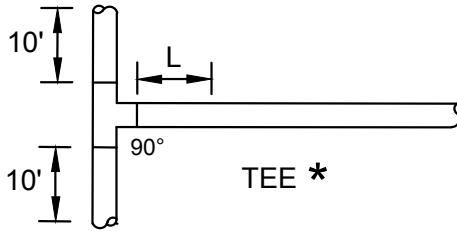
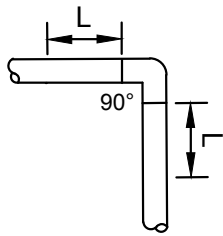
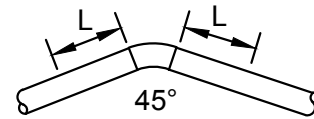
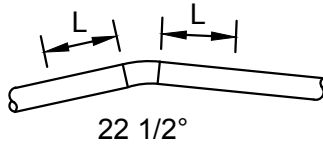
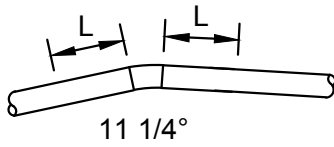


**MINIMUM CONSTRUCTION STANDARDS FOR
CITY OF PORT ST. LUCIE
900 S.E. OGDEN LANE
PORT ST. LUCIE, FL 34983
PHONE (772) 873-6400 FAX (772) 873-6433**

PIPE SUPPORT

**FILE NAME: G-08
DATE: 2019
SCALE: N.T.S.
SHEET: 1 OF 1**

HORIZONTAL BENDS



HORIZONTAL - L (FEET)						
DIAMETER	11-1/4°	22-1/2°	45°	90°	TEE* (BRANCH)	VALVES OR DEAD END
4"	2	4	8	18	20	39
6"	3	5	11	25	36	55
8"	4	7	14	33	52	72
10"	4	8	16	39	65	87
12"	5	9	19	45	80	102
14"	5	11	21	51	93	116
16"	6	12	24	57	107	131
18"	7	13	26	63	120	145
20"	7	14	29	68	133	159
24"	8	16	33	79	157	185
30"	10	19	39	93	192	222
36"	11	21	44	106	225	257
42"	12	24	49	117	254	289
48"	13	26	53	128	283	321

NOTES:

1. THE REQUIREMENTS SET FORTH ABOVE WERE CALCULATED FOR PVC PIPE BASED UPON THE FOLLOWING ASSUMPTIONS:

- SOIL CONDITIONS: SILTY SAND (SM)
- TRENCH TYPE: 3 (PIPE BEDDED IN 4" MINIMUM OF LOOSE SOIL WITH BACKFILL LIGHTLY COMPACTED)
- MINIMUM COVER: 3 FT
- SAFETY FACTOR: 1.5
- TEST PRESSURE: 150 PSI
- * SIZE ON SIZE TEE & 5' LENGTH ALONG RUN

2. IF FIELD CONDITIONS DIFFER FROM THE ABOVE, THE ENGINEER-OF-RECORD (EOR) SHALL SUBMIT CALCULATIONS BASED ON THE FIELD CONDITION FOR REVIEW AND APPROVAL OF PSLUSD.

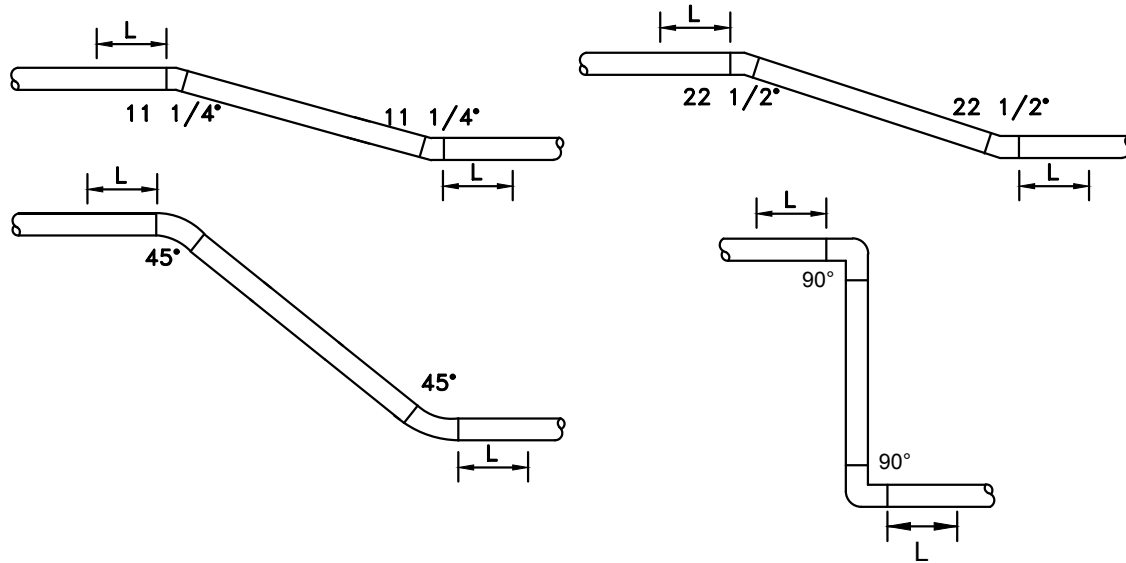


**MINIMUM CONSTRUCTION STANDARDS FOR
CITY OF PORT ST. LUCIE
900 S.E. OGDEN LANE
PORT ST. LUCIE, FL 34983
PHONE (772) 873-6400 FAX (772) 873-6433**

PIPELINE RESTRAINT REQUIREMENTS (HORIZONTAL)

**DETAIL: G-09
DATE: 2019
SCALE: N.T.S.
SHEET: 1 OF 3**

VERTICAL BENDS



VERTICAL OFFSET - L (FEET)								
DIAMETER	11-1/4°		22-1/2°		45°		90°	
	UPPER BEND	LOWER BEND	UPPER BEND	LOWER BEND	UPPER BEND	LOWER BEND	UPPER BEND	LOWER BEND
4"	4	2	8	3	17	5	39	11
6"	6	2	11	4	23	7	55	15
8"	8	2	15	4	30	9	72	20
10"	9	3	18	5	36	10	87	24
12"	11	3	21	6	43	12	102	28
14"	12	4	24	7	49	14	116	32
16"	13	4	27	8	55	16	131	36
18"	15	4	29	8	60	17	145	40
20"	16	5	32	9	66	19	158	44
24"	19	6	37	11	77	22	185	51
30"	22	7	45	13	92	26	222	62
36"	26	8	52	15	107	30	256	71
42"	29	8	58	16	120	34	289	80
48"	32	9	64	18	133	37	320	89

NOTES:

1. THE REQUIREMENTS SET FORTH ABOVE WERE CALCULATED FOR PVC PIPE BASED UPON THE FOLLOWING ASSUMPTIONS:

- SOIL CONDITIONS: SILTY SAND (SM)
- TRENCH TYPE: 3 (PIPE BEDDED IN 4" MINIMUM OF LOOSE SOIL WITH BACKFILL LIGHTLY COMPACTED)
- UPPER SIDE MINIMUM COVER: 3 FT
- LOWER SIDE MINIMUM COVER: 5 FT
- SAFETY FACTOR: 1.5
- TEST PRESSURE: 150 PSI

2. WHEN CONDITIONS DIFFER FROM THE ABOVE, THE ENGINEER-OF-RECORD (EOR) SHALL SUBMIT CALCULATIONS FOR REVIEW AND APPROVAL OF PSLUSD.

3. ALL JOINTS BETWEEN UPPER AND LOWER BENDS SHALL BE RESTRAINED.



**MINIMUM CONSTRUCTION STANDARDS FOR
CITY OF PORT ST. LUCIE
900 S.E. OGDEN LANE
PORT ST. LUCIE, FL 34983
PHONE (772) 873-6400 FAX (772) 873-6433**

PIPELINE RESTRAINT REQUIREMENTS (VERTICAL)

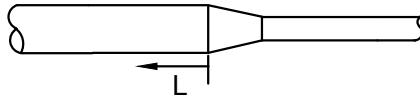
DETAIL: G-09

DATE: 2019

SCALE: N.T.S.

SHEET: 2 OF 3

REDUCER



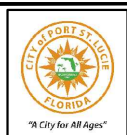
L = RETAINED LENGTH AT LARGER SIZE OF REDUCER (FEET)														
DIAMETER	4"	6"	8"	10"	12"	14"	16"	18"	20"	24"	30"	36"	42"	48"
4"		29	52	71	89	105	121	136	151	179	217	253	285	318
6"			31	53	74	93	111	127	143	172	211	249	282	315
8"				29	54	76	96	114	131	163	204	243	277	310
10"					30	55	78	98	117	151	195	235	271	305
12"						30	56	79	100	137	184	226	263	299
14"							30	56	79	120	171	216	255	292
16"								30	56	101	156	204	245	283
18"									30	80	140	190	233	273
20"										56	121	175	221	263
24"											78	141	192	238
30"												78	140	194
36"													75	139
42"														75

NOTES:

1. THE REQUIREMENTS SET FORTH ABOVE WERE CALCULATED FOR PVC PIPE BASED UPON THE FOLLOWING ASSUMPTIONS:

- SOIL CONDITIONS: SILTY SAND (SM)
- TRENCH TYPE: 3 (PIPE BEDDED IN 4" MINIMUM OF LOOSE SOIL WITH BACKFILL LIGHTLY COMPACTED)
- MINIMUM COVER: 3 FT
- SAFETY FACTOR: 1.5
- TEST PRESSURE: 150 PSI

2. IF FIELD CONDITIONS DIFFER FROM THE ABOVE, THE ENGINEER-OF-RECORD (EOR) SHALL SUBMIT CALCULATIONS BASED ON THE FIELD CONDITION FOR REVIEW AND APPROVAL OF PSLUSD.



**MINIMUM CONSTRUCTION STANDARDS FOR
CITY OF PORT ST. LUCIE
900 S.E. OGDEN LANE
PORT ST. LUCIE, FL 34983
PHONE (772) 873-6400 FAX (772) 873-6433**

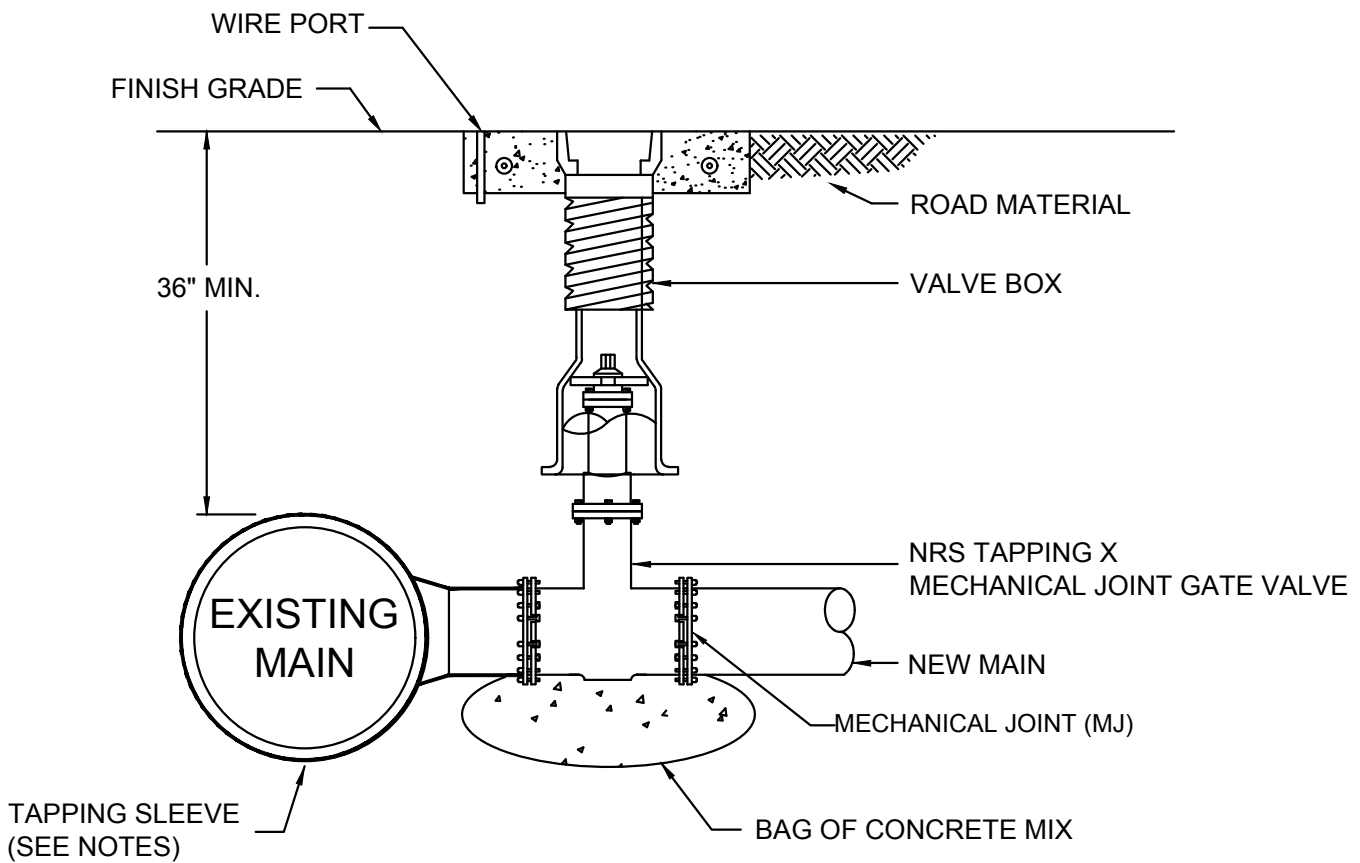
PIPELINE RESTRAINT REQUIREMENTS (REDUCER)

DETAIL: G-09

DATE: 2019

SCALE: N.T.S.

SHEET: 3 OF 3



NOTES:

1. THE VALVE BOX SHALL BE IN ACCORDANCE WITH STANDARD DETAIL G-07.
2. THRUST BLOCKS MAY BE REQUIRED AT THE UTILITY'S DIRECTION. (CASE BY CASE)
2. NO TAP WILL BE ALLOWED CLOSER THAN 5 FEET FROM ANY JOINT, FITTING OR EXISTING TAP ALONG THE MAIN.
4. ALL COUPONS MUST BE PROVIDED TO PSLUSD WITH DATE, LOCATION AND PIPE SIZE DOCUMENTED.
5. SIZE ON SIZE TAPS ARE NOT ALLOWED UNLESS APPROVED IN WRITING BY PSLUSD.
6. SEE NOTES ON DETAIL G-07.



**MINIMUM CONSTRUCTION STANDARDS FOR
CITY OF PORT ST. LUCIE
900 S.E. OGDEN LANE
PORT ST. LUCIE, FL 34983
PHONE (772) 873-6400 FAX (772) 873-6433**

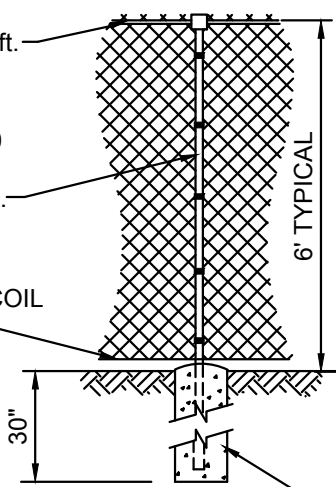
**TAPPING SLEEVE AND VALVE
ASSEMBLY**

**DETAIL: G-10
DATE: 2019
SCALE: N.T.S.
SHEET: 1 OF 1**

TOP RAIL
1 5/8" O.D., 2.27 lb./ft.
SCH. 40 GSP

2 1/2" SCH. 40
GSP SPACED
AT 10'-0" MAX.

7 GA. ALUMINUM
COATED SPRING COIL
TENSION WIRE



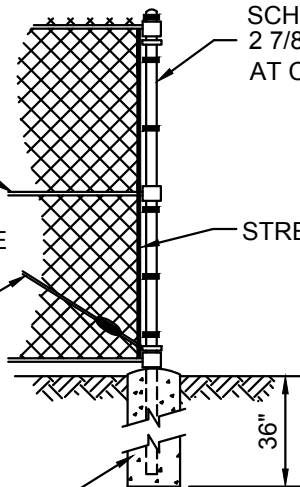
LINE POST

SCH 40 GSP
2 7/8" O.D., 5.80 lb./ft.
AT CORNER

HORIZONTAL
BRACE

DIAGONAL BRACE
ROD WITH
TURNBUCKLE
(FULL FENCE
(HEIGHT TYP)

STRETCHER BAR



CORNER POST

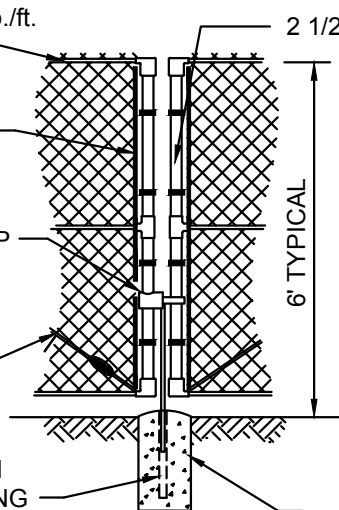
TOP RAIL
1 5/8" O.D., 2.27 lb./ft.
SCH. 40 GSP

STRETCHER BAR

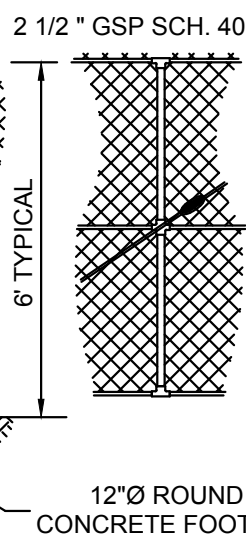
DROP BAR WITH
PADLOCK & HASP

DIAGONAL BRACE
ROD WITH
TURNBUCKLE
(F.F.H. TYP)

1"Ø SCH. 40 GSP IN
CONCRETE FOOTING



GATE



GATE POST

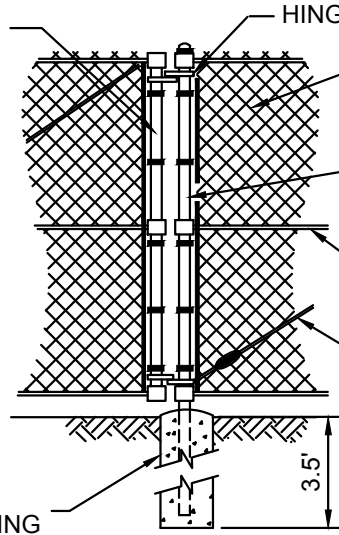
HINGE

9 GAUGE COATED
PVC BLACK (TYP)

SCH. 40 GSP
4" O.D., 9.12 lb./ft.
AT GATE OPENING

HORIZONTAL
BRACE

DIAGONAL BRACE
ROD WITH
TURNBUCKLE
(FULL FENCE
HEIGHT TYP)



NOTES:

1. A CHAIN LINK FENCE, AT LEAST 6' HIGH SHALL BE PROVIDED.
2. VINYL COATED STEEL WOVEN WIRE FABRIC SHALL BE STRETCHED TAUT WITH STRETCHER BARS AND STRAPS. FASTENED TOP & BOTTOM AT LINE POSTS WITH GALVANIZED PIG RING TIES.
3. THE GATE SHALL BE SEMI-TRANSPARENT TO ALLOW FOR VISUAL INSPECTION BY PSLUSD.
4. GATES TO BE SECURED OPEN WITH GATE STOP SET IN CONCRETE.
5. ALL MATERIAL SHALL BE BLACK IN COLOR.



**MINIMUM CONSTRUCTION STANDARDS FOR
CITY OF PORT ST. LUCIE
900 S.E. OGDEN LANE
PORT ST. LUCIE, FL 34983
PHONE (772) 873-6400 FAX (772) 873-6433**

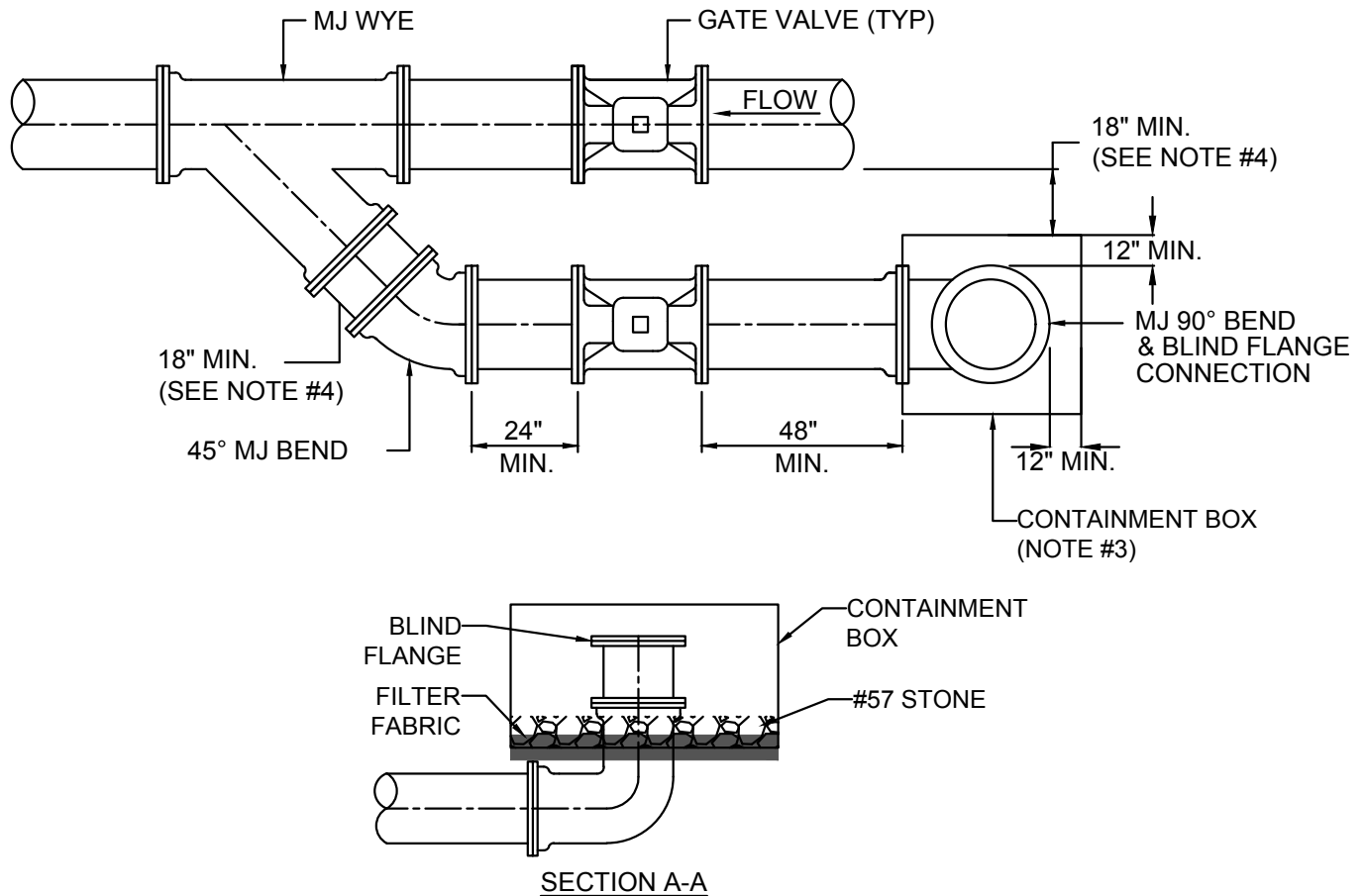
FENCE DETAILS

DETAIL: G-11

DATE: 2019

SCALE: N.T.S.

SHEET: 1 OF 1



NOTES:

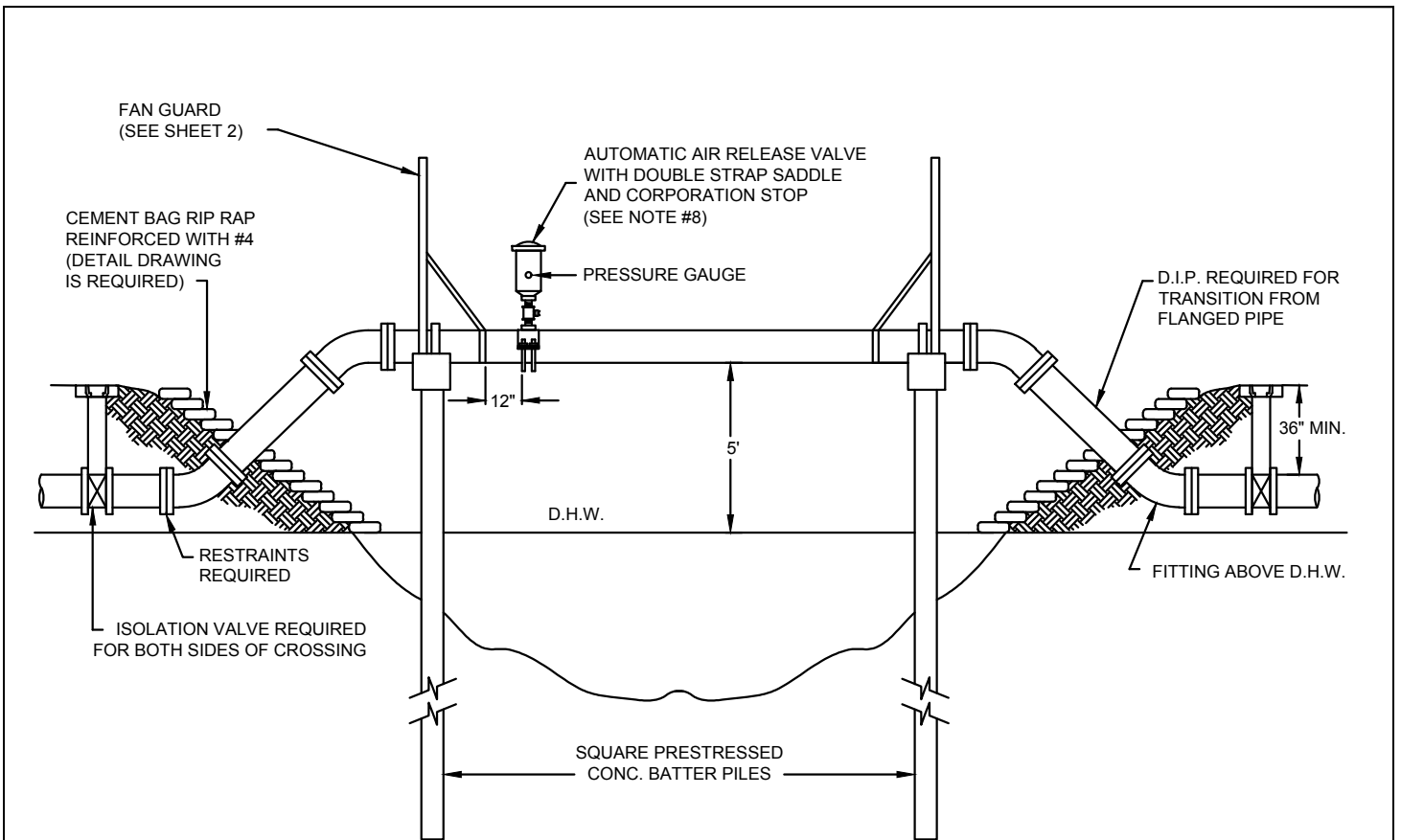
1. THE ABOVE DETAIL IS FOR A TYPICAL PIG LAUNCHING / RECOVERY STATION. THE ENGINEER-OF-RECORD SHALL SUBMIT DRAWING DETAILS FOR THE PIG LAUNCHING STATION WITH DIMENSIONS FOR THE CONTAINMENT BOX, PIPE SIZES & LENGTH, AND SPECIFICATIONS FOR ALL COMPONENTS AND FITTINGS.
2. PIG RECOVERY STATION WILL BE REVERSE TO FLOW.
3. CONTAINMENT BOX SIZE VARIES TO ALLOW ACCESSIBILITY TO BOLTS OF PLUG. PER QUALIFIED PRODUCT LIST.
4. VARIES WITH MAIN SIZE IN ORDER TO OFFSET CONTAINMENT BOX FROM MAIN LINE.
5. THE BOTTOM OF CONTAINMENT BOX SHALL BE COVERED WITH 8 INCHES OF #57 STONE OVER FILTER FABRIC.
6. ALL FITTINGS BELOW-GROUND SHALL BE MECHANICAL JOINT.



**MINIMUM CONSTRUCTION STANDARDS FOR
CITY OF PORT ST. LUCIE
900 S.E. OGDEN LANE
PORT ST. LUCIE, FL 34983
PHONE (772) 873-6400 FAX (772) 873-6433**

**PIG LAUNCHING / RECOVERY
STATION**

**DETAIL: G-12
DATE: 2019
SCALE: N.T.S.
SHEET: 1 OF 1**



NOTES:

1. ALL EXPOSED PIPE SHALL BE DUCTILE IRON OR PREFABRICATED STEEL WITH FLANGED FITTINGS AND TORUSEAL GASKETS. RETAINER GLANDS, UNIFLANGE TYPE FITTINGS ARE NOT TO BE SUBSTITUTED FOR FLANGED FITTINGS. PREFABRICATED STEEL PIPE MAY INCORPORATE WELDED ON UPPER BENDS. PREFABRICATED FLANGED PIPE SHALL BE FACTORY TESTED.
2. SPAN LENGTHS AS REQUIRED BY PERMITTING AGENCY AND PIPE MFG.
3. FAN GUARDS ARE REQUIRED. SEE FAN GUARD / PIPE CAP DESIGN DETAILS (SHEET 2), FOR ADDITIONAL REQUIRMENTS.
4. ALL EXPOSED PIPING AND HARDWARE SHALL BE PAINTED AS SPECIFIED.
5. PIPE SHALL BE CRADLED ON ½" THICK NEOPRENE (DUROMETER GRADE 50). NEOPRENE SHALL EXTEND 1" BEYOND THE EDGES OF CRADLE AND STRAPS. NEOPRENE IS REQUIRED AT ALL STRAPS INSTALLED OVER STEEL PIPE.
6. TIE-DOWNS STRAPS MUST PROPERLY FIT AND SECURE PIPE IN CRADLE.
7. PIPE CRADLE IN CAP SHALL CONTACT ⅓ CIRCUMFERENCE OF PIPE.
8. THE PRESSURE GAUGE SHALL FACE THE CLOSEST FAN GUARD.
9. PILE LIFT CABLE SHALL BE REMOVED BELOW SURFACE; HOLE SHALL BE FILLED WITH EPOXY CEMENT.
10. 10"X10" TYPE 1A BATTER PILES WITH MINIMUM LOAD CAPACITY OF 25 TONS PER PILE IS REQUIRED. PILE PENETRATION BELOW CANAL BOTTOM SHALL BE 15' MINIMUM. SIGNED AND SEALED SHOP DRAWINGS SHALL BE SUBMITTED TO THE PSLUSD.
11. PREFABRICATED STEEL PIPE SHALL HAVE WELDED ON BEARING PADS EXTENDING A MINIMUM OF 1" BEYOND PIPE CRADLE. THE PADS SHALL BE INSTALLED BY STEEL PIPE MANUFACTURER PRIOR TO PAINTING.
12. FORCE MAIN CROSSINGS OVER BODIES OF WATER MAY BE SUBJECT TO PERMIT FROM APPLICABLE REGULATORY AGENCIES.



**MINIMUM CONSTRUCTION STANDARDS FOR
CITY OF PORT ST. LUCIE
900 S.E. OGDEN LANE
PORT ST. LUCIE, FL 34983
PHONE (772) 873-6400 FAX (772) 873-6433**

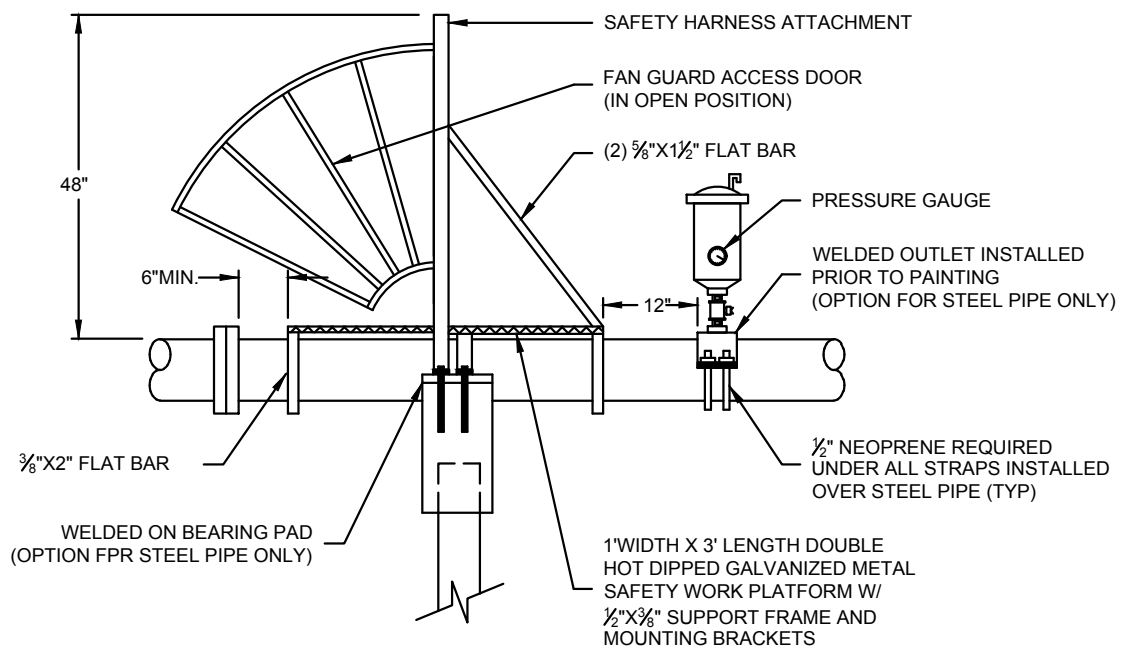
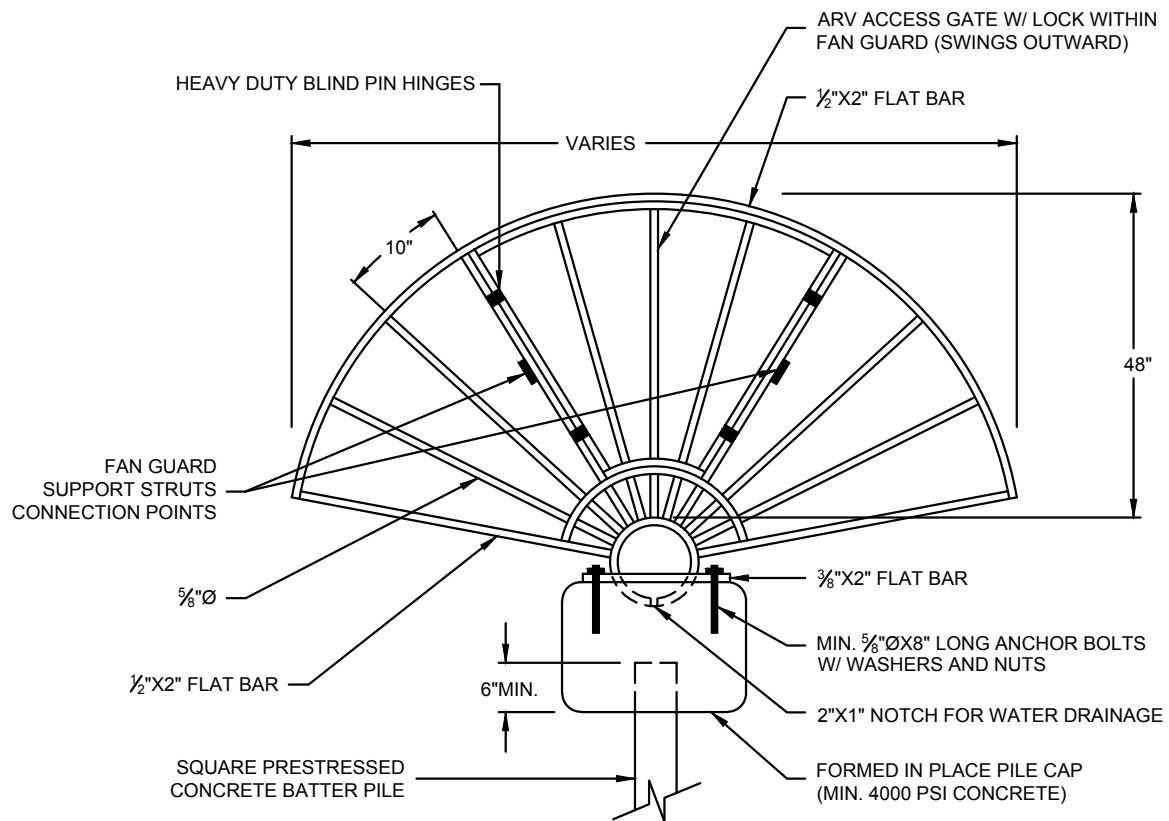
AERIAL CROSSING DETAIL

DETAIL: G-13

DATE: 2019

SCALE: N.T.S.

SHEET: 1 OF 2



NOTES:

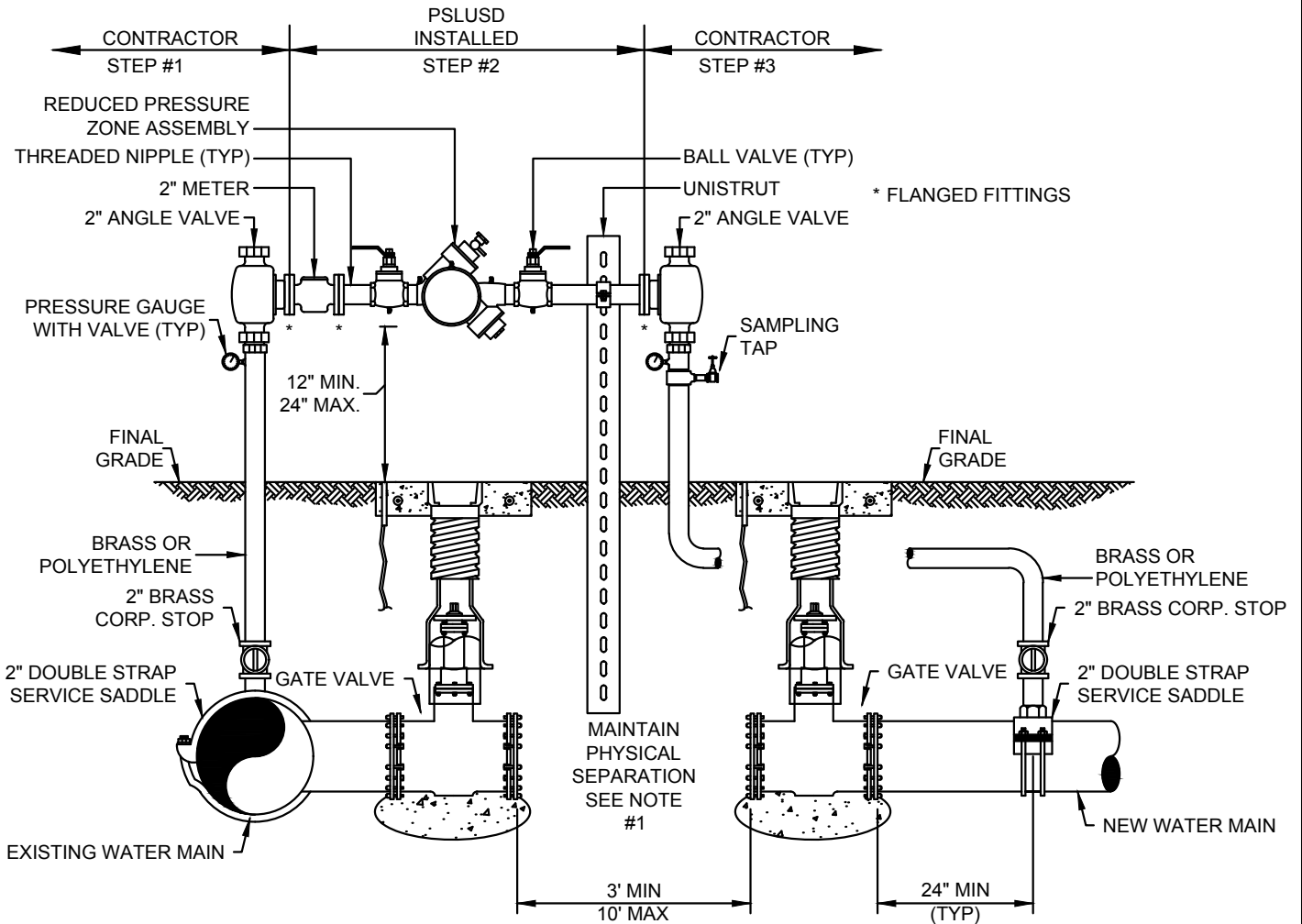
1. FAN GUARDS SHALL BE PLACED AT EACH END OF CANAL CROSSING.
2. FANGUARD WITH HARDWARE SHALL BE FABRICATED FROM DOUBLE HOT DIPPED GALVANIZED STEEL.
3. SHOP DRAWINGS FOR FANGUARDS, CAPS AND PILES MUST BE SUBMITTED TO PSLUSD FOR REVIEW AND APPROVAL PRIOR TO PRE-CONSTRUCTION MEETING.
4. CUT PILE, EXTEND PRESTRESSING STRANDS INTO PILE CAP AND TIE WITH CAP STEEL.
5. REINFORCING STEEL SHALL CONFORM TO ASTM A-615, GRADE 60 MIN. 2" CONCRETE COVER OVER ALL STEEL.



**MINIMUM CONSTRUCTION STANDARDS FOR
CITY OF PORT ST. LUCIE
900 S.E. OGDEN LANE
PORT ST. LUCIE, FL 34983
PHONE (772) 873-6400 FAX (772) 873-6433**

FAN GUARD / PILE CAP DETAIL

DETAIL: G-13
DATE: 2019
SCALE: N.T.S.
SHEET: 2 OF 2



**FOR 2" JUMPER CONNECTIONS
UP TO 8" PIPE**



MINIMUM CONSTRUCTION STANDARDS FOR
CITY OF PORT ST. LUCIE
900 S.E. OGDEN LANE
PORT ST. LUCIE, FL 34983
PHONE (772) 873-6400 FAX (772) 873-6433

TEMPORARY JUMPER CONNECTION

DETAIL: G-14

DATE: 2019

SCALE: N.T.S.

SHEET: 1 OF 2

NOTES:

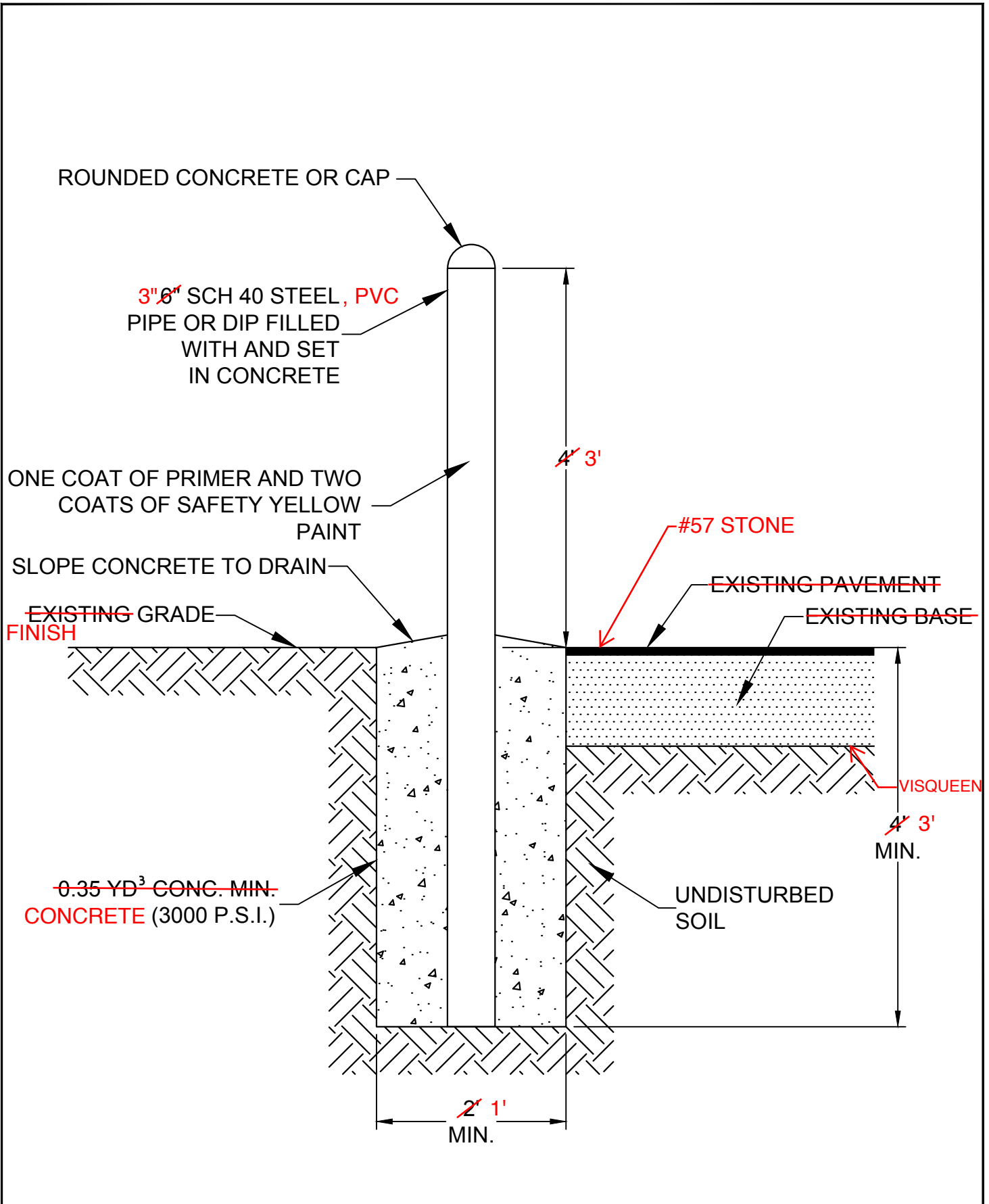
1. A TEMPORARY JUMPER CONNECTION SHALL BE PROVIDED IN ACCORDANCE WITH THIS DETAIL WHEN AN EXISTING PSLUSD WATER MAIN WILL BE USED FOR FILLING, FLUSHING OR PIGGING A NEWLY CONSTRUCTED POTABLE WATER, WASTEWATER FORCE MAIN OR RECLAIMED WATER MAIN. A DIRECT CONNECTION SHALL NOT BE MADE UNDER ANY CIRCUMSTANCES. THE SIZE OF THE JUMPER CONNECTION SHALL BE SPECIFIED BY THE ENGINEER-OF-RECORD (EOR) BASED ON VELOCITY REQUIRED TO FLUSH THE MAIN.
2. THE CONTRACTOR SHALL CONTACT THE PSLUSD REGARDING SCHEDULING OF REQUIRED INSPECTIONS RELATING TO THE CONNECTION. PSLUSD INSPECTIONS ARE SPECIFICALLY REQUIRED FOR TIE-INS OR WET TAPS TO EXISTING MAINS, JUMPER INSTALLATION, FLUSHING, PIGGING, PRESSURE TESTING, DISINFECTION, SAMPLING, PLUGGING OF SAMPLING POINTS AND PERMANENT CONNECTION OF THE NEW MAIN. THE CONTRACTOR SHALL FOLLOW ALL PROCEDURES STRICTLY IN ACCORDANCE WITH THE PSLUSD UTILITY STANDARDS MANUAL.
3. THE TEMPORARY JUMPER ASSEMBLY (FLANGE TO FLANGE) WILL BE SUPPLIED, INSTALLED AND TESTED BY THE PSLUSD, IN COORDINATION WITH THE EOR AND CONTRACTOR. OTHER MATERIALS AND INSTALLATION REQUIRED FOR THE CONNECTION ARE THE RESPONSIBILITY OF THE CONTRACTOR. THE CONTRACTOR SHALL DISINFECT THE PIPE AND FITTINGS USED TO MAKE THE CONNECTION BY SPRAYING AND SWABBING WITH CHLORINE AS NECESSARY. A SUPPORT SHALL BE PROVIDED FOR THE ASSEMBLY AS NECESSARY. THE UNDERGROUND FITTINGS SHALL BE RESTRAINED MECHANICAL JOINT TYPE. ALL MATERIALS SHALL BE PER THE PSLUSD APPROVED QUALIFIED PRODUCTS LIST. THE JUMPER CONNECTION SHALL BE MAINTAINED BY THE CONTRACTOR UNTIL THE ASSEMBLY IS REMOVED BY THE PSLUSD. THE VALVES SHALL BE OPERATED BY PSLUSD PERSONNEL ONLY.
4. ALL NEW WATER MAINS SHALL BE DOUBLE-PIGGED, FLUSHED, PRESSURE TESTED AND DISINFECTED. NEW MAIN SHALL NOT BE PLACED INTO SERVICE UNTIL THE BACTERIOLOGICAL TEST RESULTS ARE SATISFACTORY AND A WRITTEN APPROVAL HAS BEEN OBTAINED FROM THE PSLUSD.
5. PIGGING AND FLUSHING SHALL BE PERFORMED BY THE CONTRACTOR IN THE PRESENCE OF A PSLUSD INSPECTOR. WATER MAINS SHALL BE PRESSURE TESTED AFTER FLUSHING AND PRIOR TO DISINFECTION. ALL VALVES SHALL REMAIN CLOSED DURING THE PRESSURE TEST AND WILL NOT BE OPENED UNTIL THE RESULTS OF PRESSURE TESTING AND BACTERIOLOGICAL TESTING ARE SATISFACTORY AND THE SYSTEM HAS BEEN ACCEPTED FOR OPERATION BY THE PSLUSD. ALL VALVES SHALL BE CLOSED BY PSLUSD PERSONNEL AFTER FLUSHING AND SHALL REMAIN CLOSED DURING THE PRESSURE TEST.
6. DISINFECTION OF POTABLE WATER MAINS SHALL BE CONDUCTED IN ACCORDANCE WITH AWWA C651. A MINIMUM PRESSURE OF 20 PSI SHALL BE MAINTAINED IN THE NEW MAIN AFTER DISINFECTION.
7. CONNECTION TO EXISTING WATER MAINS SHALL NOT BE MADE PRIOR TO BACTERIOLOGICAL CLEARANCE.
8. UPON WRITTEN APPROVAL, THE SAMPLING POINTS SHALL BE REMOVED AND PLUGGED BY THE CONTRACTOR. THE CONTRACTOR SHALL MAKE THE PERMANENT CONNECTION IN THE PRESENCE OF A PSLUSD INSPECTOR. THE PIPE AND FITTINGS FOR CONNECTION SHALL BE DISINFECTED BY SPRAYING AND SWABBING WITH CHLORINE.
9. THE JUMPER ASSEMBLY (FLANGE TO FLANGE) WILL BE REMOVED BY THE PSLUSD IN COORDINATION WITH THE CONTRACTOR. THE CONTRACTOR SHALL REMOVE THE REST OF THE JUMPER CONNECTION PIPING AND PLUG THE CORPORATION STOP VALVES.



MINIMUM CONSTRUCTION STANDARDS FOR
 CITY OF PORT ST. LUCIE
 900 S.E. OGDEN LANE
 PORT ST. LUCIE, FL 34983
 PHONE (772) 873-6400 FAX (772) 873-6433

TEMPORARY JUMPER CONNECTION

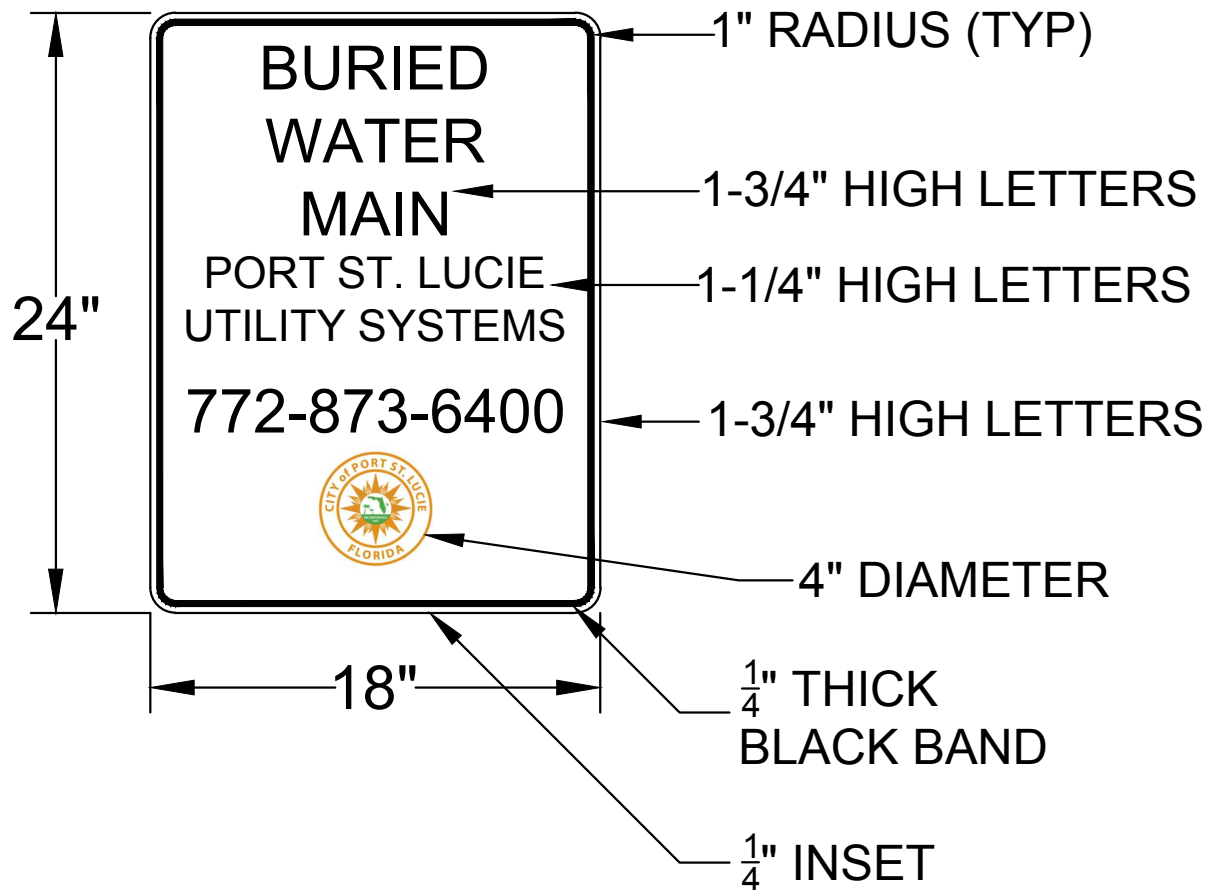
DETAIL: G-14
DATE: 2019
SCALE: N.T.S.
SHEET: 2 OF 2



**MINIMUM CONSTRUCTION STANDARDS FOR
CITY OF PORT ST. LUCIE**
900 S.E. OGDEN LANE
PORT ST. LUCIE, FL 34983
PHONE (772) 873-6400 FAX (772) 873-6433

BOLLARD DETAIL (ALT.)

FILE NAME: G-15 A
DATE: 2019
SCALE: N.T.S.
SHEET: 1 OF 1



NOTES:

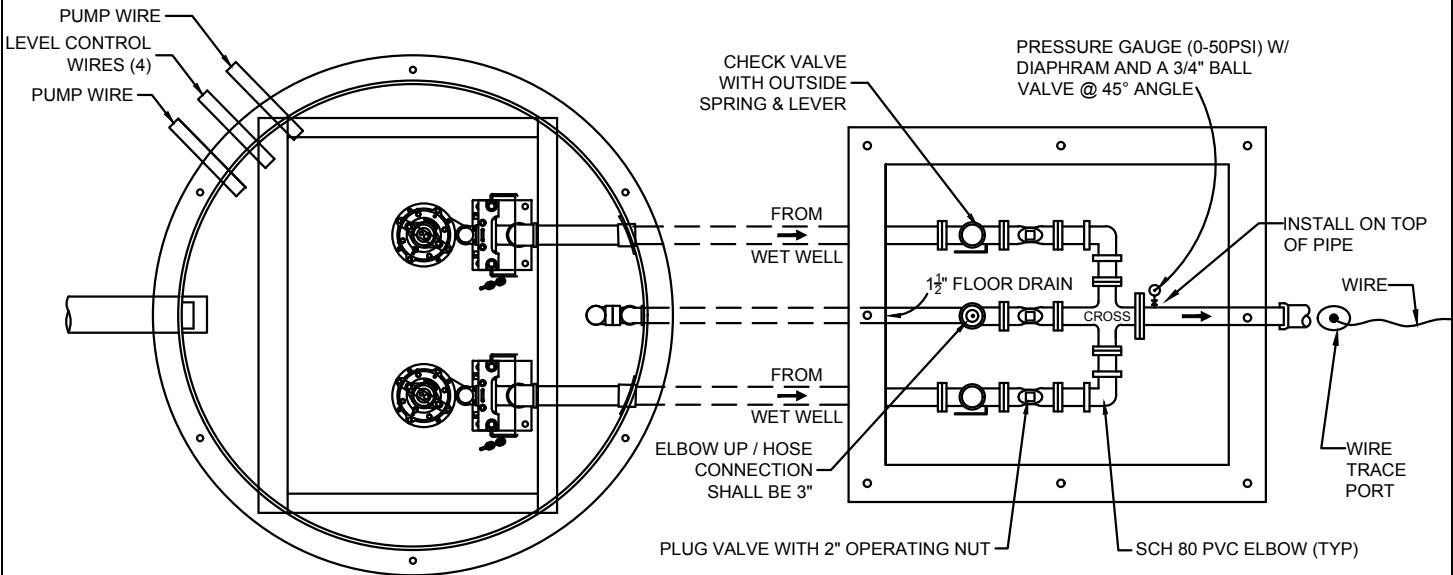
1. SIGNS SHALL BE PLACED AS REQUIRED UNDER THE PROVISIONS OF PERMIT ISSUED BY PERMITTING AGENCY.
2. THE SIGN SHALL BE 0.080 ALUMINUM WITH REFLECTIVE WHITE BACKGROUND AND BLACK LETTERING WITH COLOR LOGO.
3. THE SIGN SHALL BE MOUNTED ON 1.75" x 1.75", 12 GAUGE GALVANIZED SQUARE TUBE PERFORATED SIGN POST WITH STAINLESS STEEL HARDWARE, 48" FROM BOTTOM AND PARALLEL TO CANAL.



**MINIMUM CONSTRUCTION STANDARDS FOR
CITY OF PORT ST. LUCIE
900 S.E. OGDEN LANE
PORT ST. LUCIE, FL 34983
PHONE (772) 873-6400 FAX (772) 873-6433**

CANAL CROSSING SIGN

DETAIL: G-16
DATE: 2019
SCALE: N.T.S.
SHEET: 1 OF 1



PLAN VIEW

PUMP DATA:

MANUFACTURER ** _____ WETWELL DIAMETER ** _____
 MODEL NUMBER ** _____ IMPELLER NUMBER ** _____ HP ** _____ RPM ** _____
 VOLTS ** _____ 3 PHASE 60 HERTZ

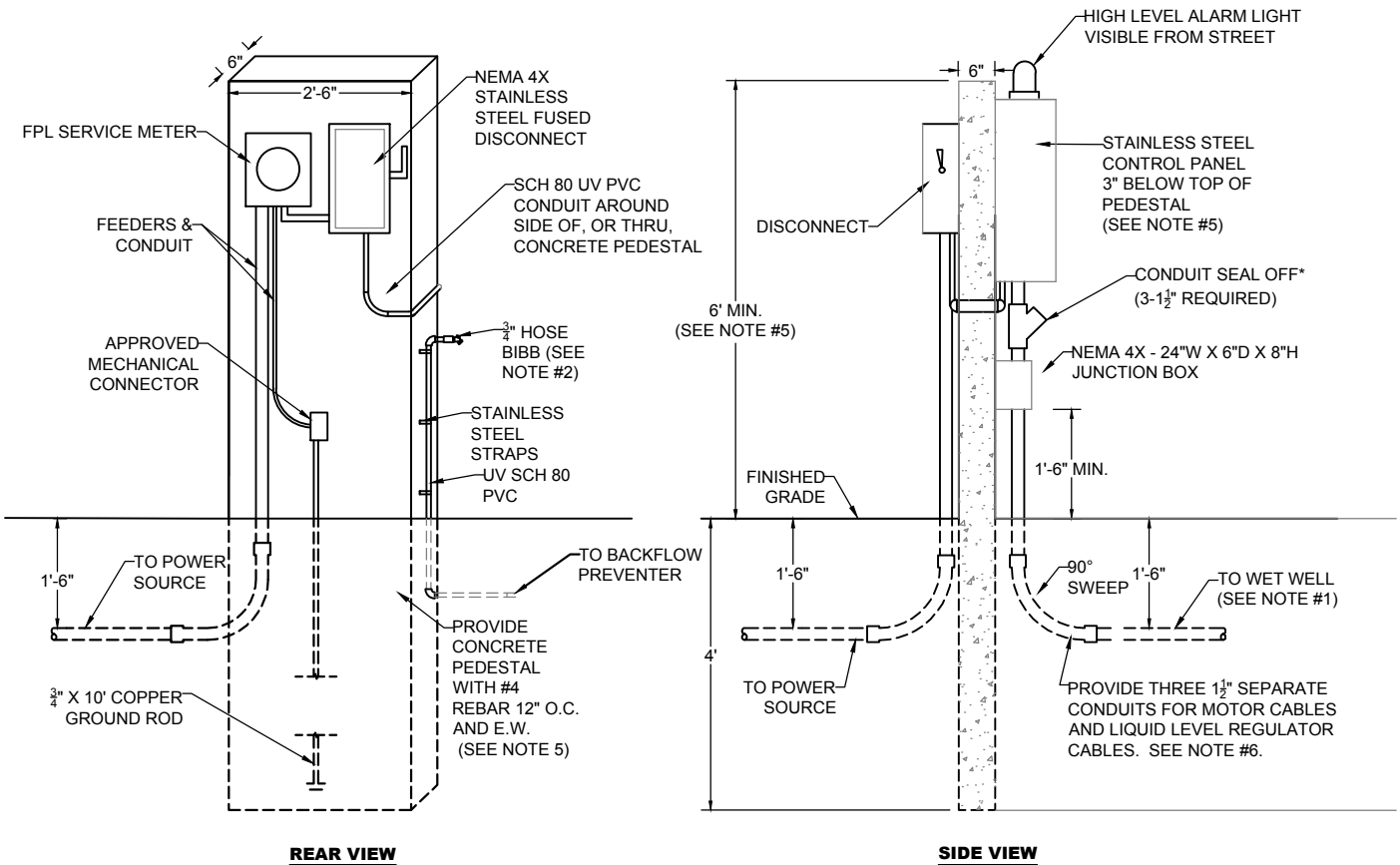
OPERATING CONDITIONS:

** _____ GPM AT ** _____ TDH ** _____ % EFFICIENCY

SIZED FOR MINIMUM PUMP CYCLE TIME OF 12 MINUTES AND A MAXIMUM OF 6 PUMP STARTS PER HOUR.

WORKING DEPTH ** _____ FT. WORKING VOLUME ** _____ GALS.

EOR TO COMPLETE ALL FIELDS



NOTES:

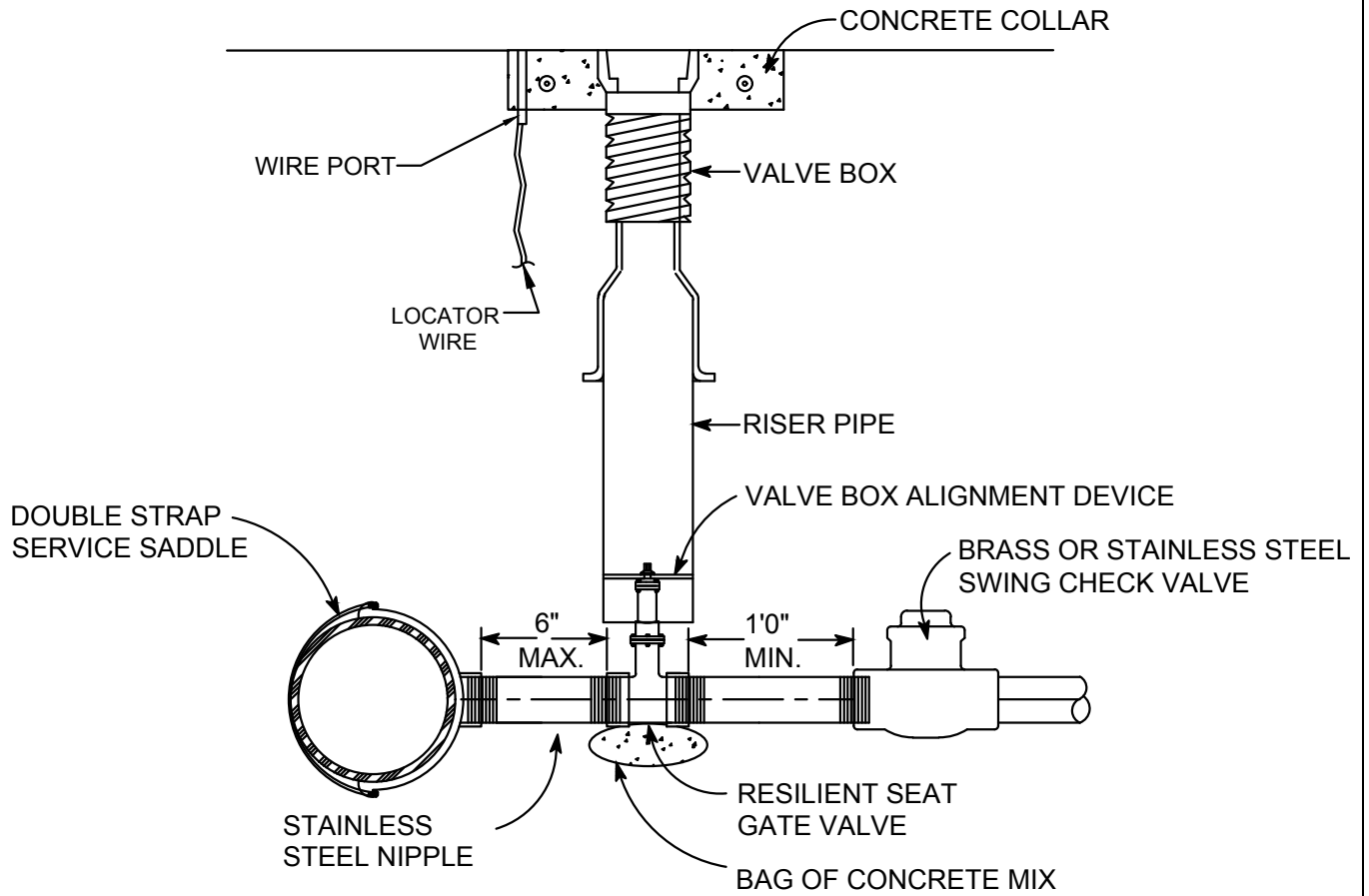
1. THE HORIZONTAL DISTANCE FROM THE FACE OF THE CONTROL PANEL TO THE EDGE OF THE WET WELL SHALL BE A MINIMUM OF 4'.
2. A BACKFLOW PREVENTION ASSEMBLY AND WATER METER SHALL BE PROVIDED PER DETAIL PS-06.
3. * CONDUIT SEAL OFFS TO BE SEALED WITH CHICO COMPOUND.
4. THE PEDESTAL, CONTROL PANEL AND RELATED COMPONENTS SHALL NOT BE PAINTED.
5. THE SIZE OF THE PEDESTAL, DISCONNECT AND CONTROL PANEL SHALL BE SPECIFIED ON THE SHOP DRAWINGS BY THE EOR.
6. CONDUIT FROM THE TOP OF 90 DEGREE SWEEP TO CONTROL PANEL TO BE SCHEDULE 80 IN CITY LIMITS, STAINLESS STEEL OR ALUMINUM OUTSIDE OF CITY LIMITS.



**MINIMUM CONSTRUCTION STANDARDS FOR
CITY OF PORT ST. LUCIE
900 S.E. OGDEN LANE
PORT ST. LUCIE, FL 34983
PHONE (772) 873-6400 FAX (772) 873-6433**

**DUPLEX GRINDER SYSTEM
CONTROL PANEL - PEDESTAL DETAIL**

**DETAIL: PS-02
DATE: 2019
SCALE: N.T.S.
SHEET: 1 OF 1**



GRINDER SERVICE CONNECTION

NOTES:

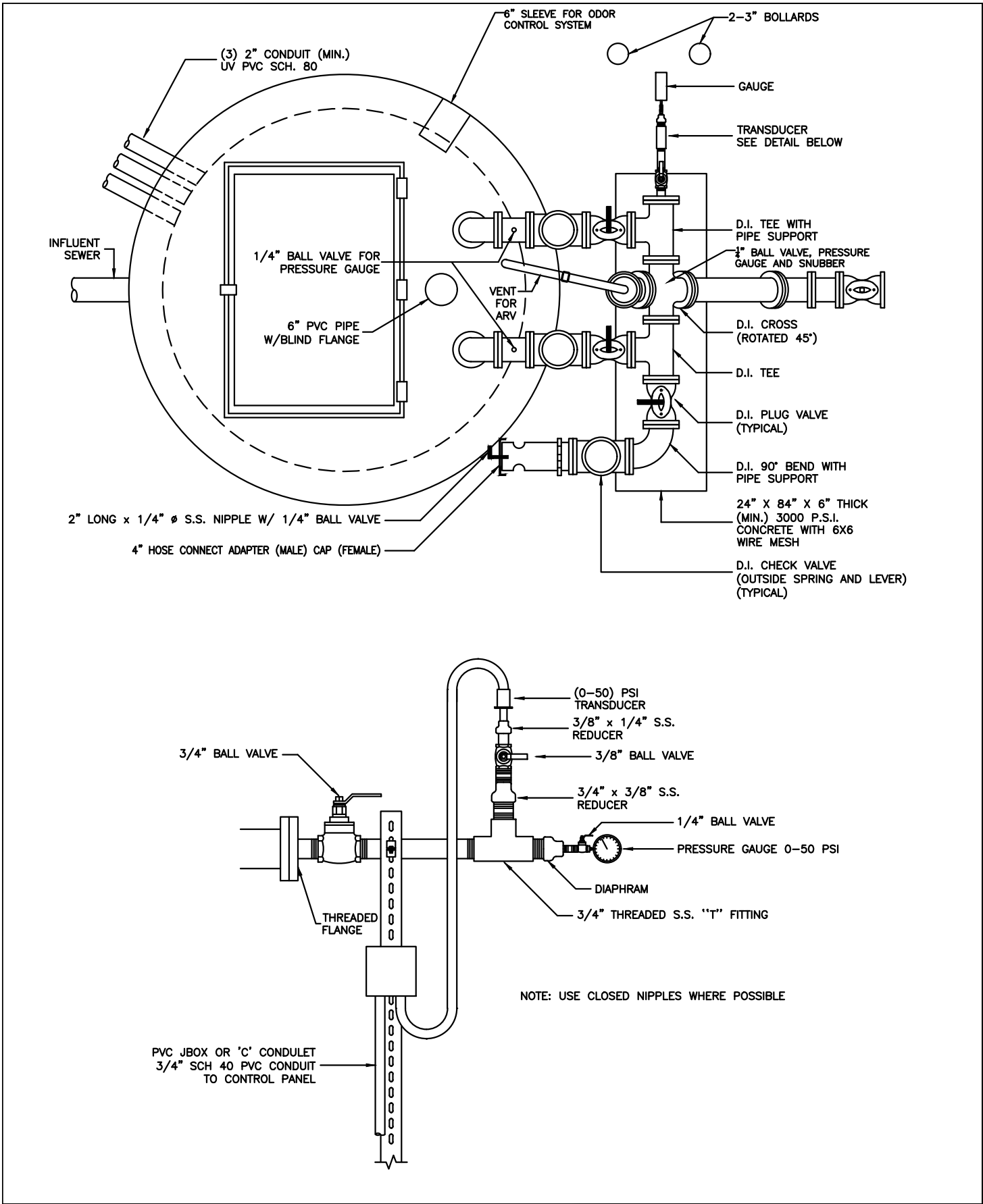
- 1. THIS DETAIL SHALL BE USED IN CONJUNCTION WITH DETAIL G-07 FOR TYPICAL BOX VALVE.



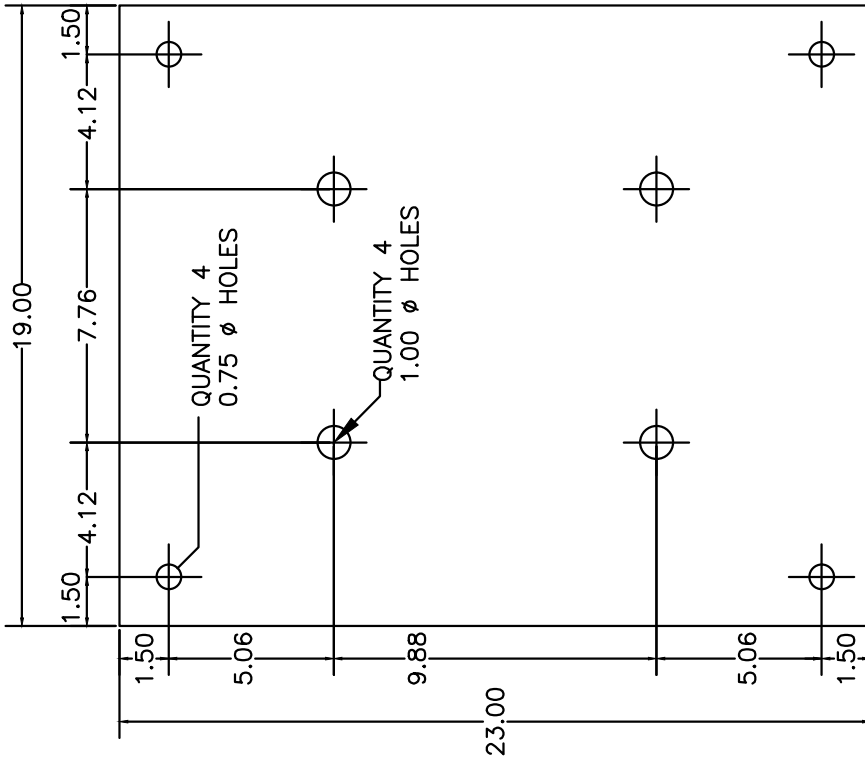
MINIMUM CONSTRUCTION STANDARDS FOR
 CITY OF PORT ST. LUCIE
 900 S.E. OGDEN LANE
 PORT ST. LUCIE, FL 34983
 PHONE (772) 873-6400 FAX (772) 873-6433

**GRINDER SYSTEM
 SERVICE LINE TAP TO MAIN LINE**

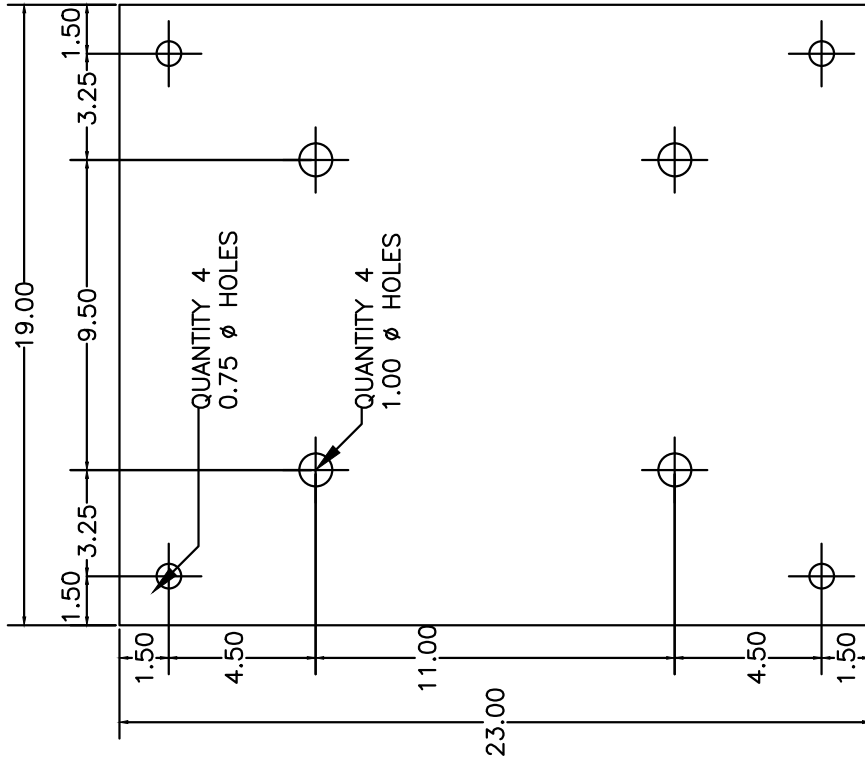
DETAIL: PS-03
DATE: 2019
SCALE: N.T.S.
SHEET: 1 OF 1



MATERIAL: 316 STAINLESS STEEL 0.50" THICK
ALL MEASUREMENTS IN INCHES



4" x 4" ELBOWS



6" x 6", 6" x 8" & 8" x 8" ELBOWS

NOTES:

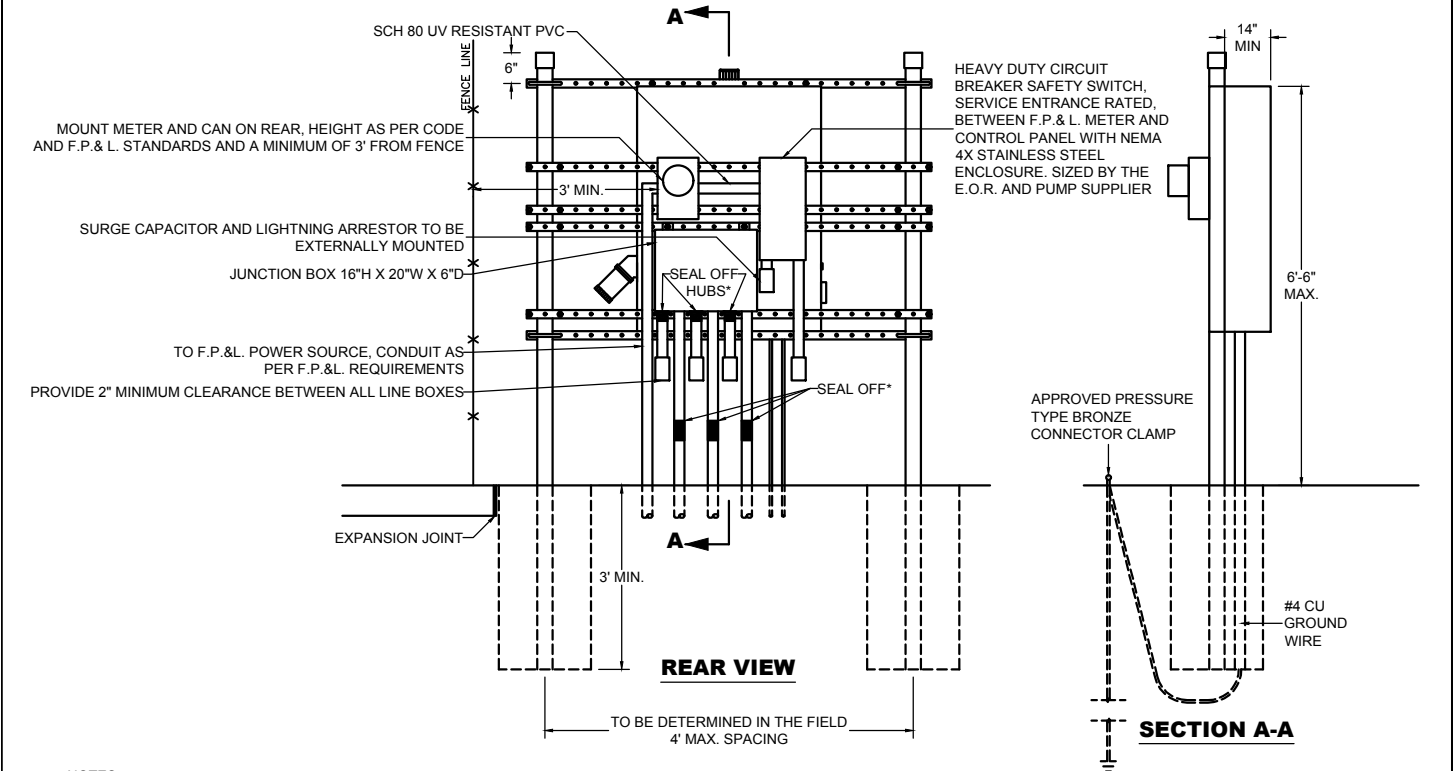
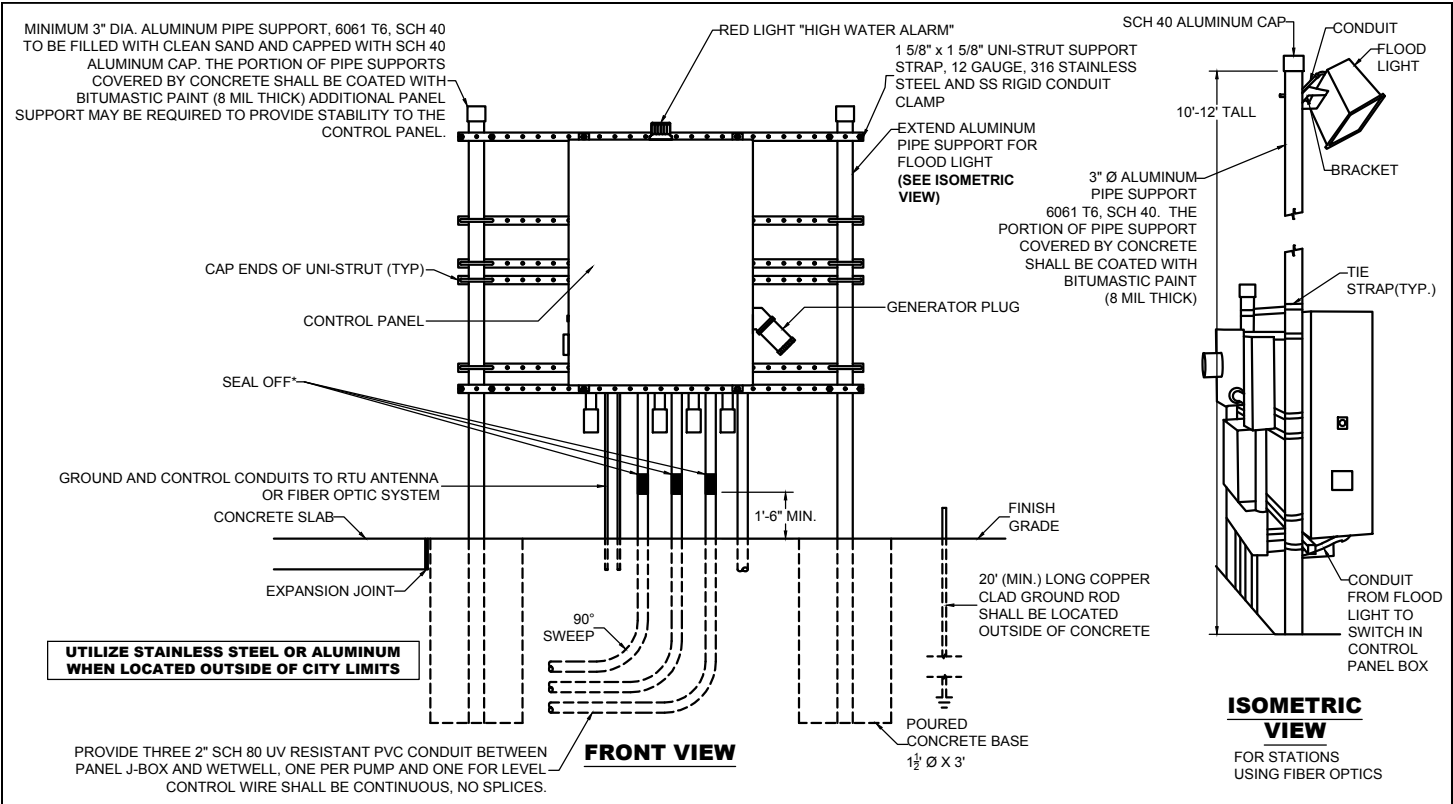
1. EACH BASE ELBOW SHALL BE SECURED TO THE BOTTOM OF THE WET WELL WITH FOUR (4) 3/4" STEEL WEDGE ANCHOR BOLTS AND STAINLESS STEEL PLATE. THE PLATE SHALL BE SECURED WITH FOUR (4) 1/2" STAINLESS STEEL ANCHOR BOLTS. THE BOLTS SHALL BE EMBEDDED A MINIMUM OF 4" INTO THE CONCRETE AND TORQUE TO 150 FT. LBS.
2. THE STAINLESS STEEL PLATES AND BOLTS SHALL BE FURNISHED BY THE PUMP MANUFACTURER.



MINIMUM CONSTRUCTION STANDARDS FOR
CITY OF PORT ST. LUCIE
900 S.E. OGDEN LANE
PORT ST. LUCIE, FL 34983
PHONE (772) 873-6400 FAX (772) 873-6433

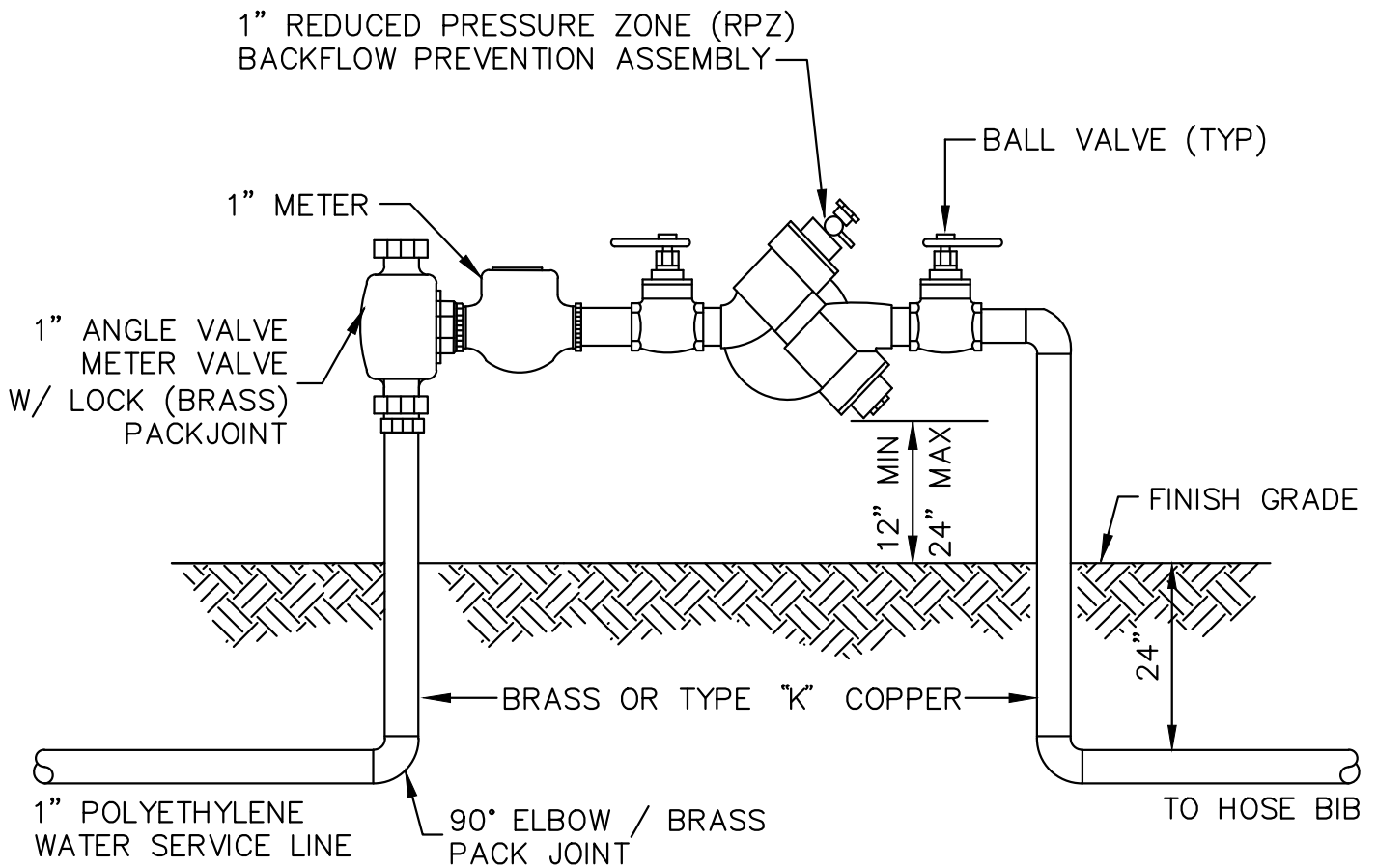
**LIFT STATION
BASE PLATES**

DETAIL: PS-04
DATE: 2019
SCALE: N.T.S.
SHEET: 3 OF 3



NOTES:

1. THE HORIZONTAL DISTANCE FROM THE FACE OF THE CONTROL PANEL TO THE EDGE OF THE WET WELL SHALL BE 4'.
2. A BACKFLOW PREVENTION ASSEMBLY AND WATER METER SHALL BE PROVIDED PER DETAIL PS-07.
3. SEALED WITH CHICO COMPOUND.*
4. THE PEDESTAL, CONTROL PANEL AND RELATED COMPONENTS SHALL NOT BE PAINTED.
5. A TRANSFORMER MAY BE ALLOWED ON A CASE-BY-CASE BASIS WHEN REQUESTED IN ADVANCE BY THE ENGINEER-OF-RECORD (EOR) AND APPROVED IN WRITING BY THE PSLUSD.
6. THE SIZE OF THE PEDESTAL AND CONTROL PANEL SHALL BE SPECIFIED ON THE SHOP DRAWINGS BY THE EOR.
7. SUPPORT LEGS MANUFACTURED BY THE PANEL MANUFACTURER SHALL BE PROVIDED AS NEEDED TO SUPPORT LARGE CONTROL PANELS.



NOTES:

1. BOTH RISERS SHALL BE BRASS OR TYPE "K" COPPER TUBING (HARD DRAWN) WITH COPPER/BRASS THREADED FITTINGS AND ADAPTERS.
2. PROVIDE ADDITIONAL SUPPORT AS NECESSARY TO SECURELY SUPPORT BACKFLOW PREVENTION ASSEMBLY.



MINIMUM CONSTRUCTION STANDARDS FOR
CITY OF PORT ST. LUCIE
900 S.E. OGDEN LANE
PORT ST. LUCIE, FL 34983
PHONE (772) 873-6400 FAX (772) 873-6433

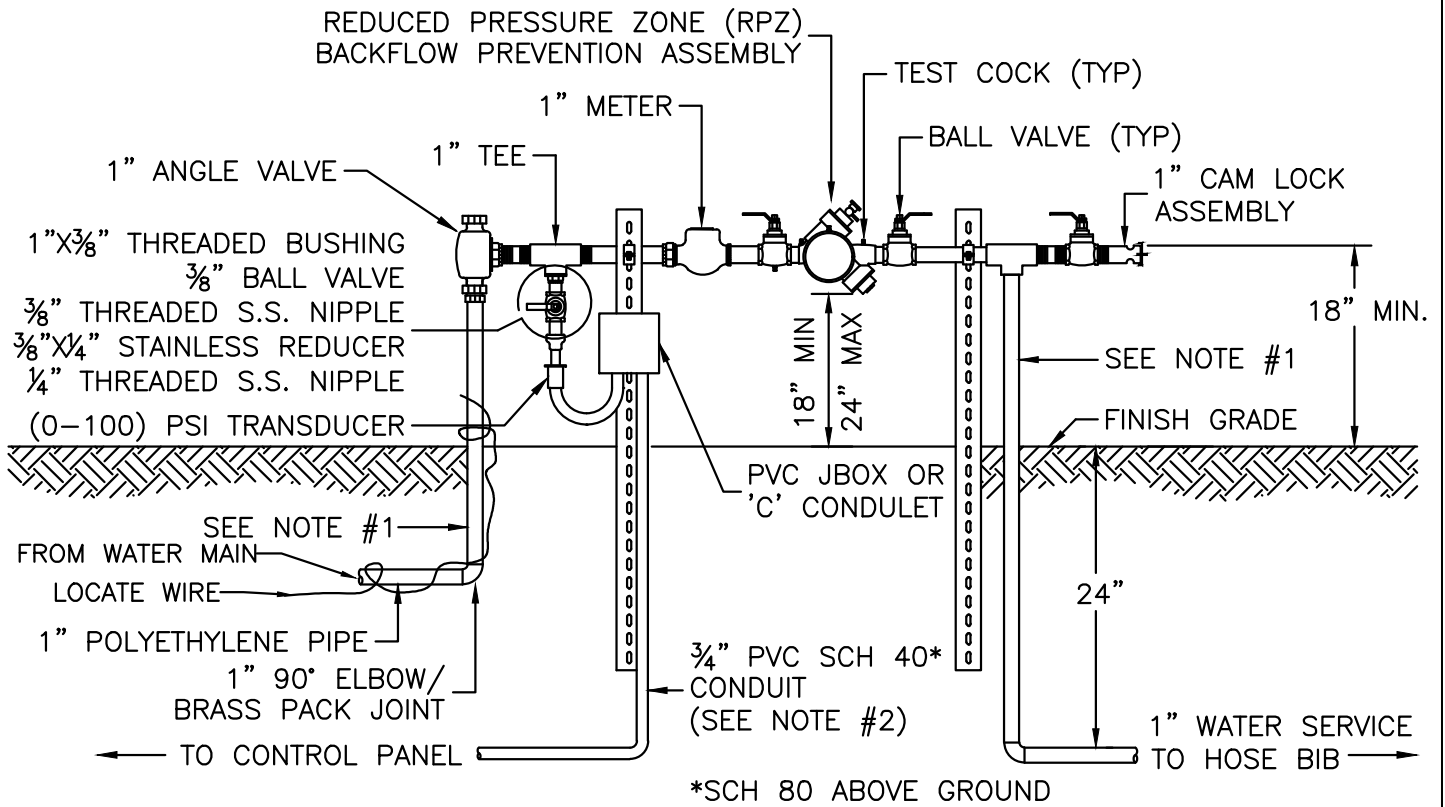
**GRINDER SYSTEM WATER METER
AND
BACKFLOW PREVENTION ASSEMBLY**

DETAIL: PS-06

DATE: 2019

SCALE: N.T.S.

SHEET: 1 OF 1



**WATER MAIN PRESSURE TRANSDUCER
INSTALLATION DETAIL**

NOTES:

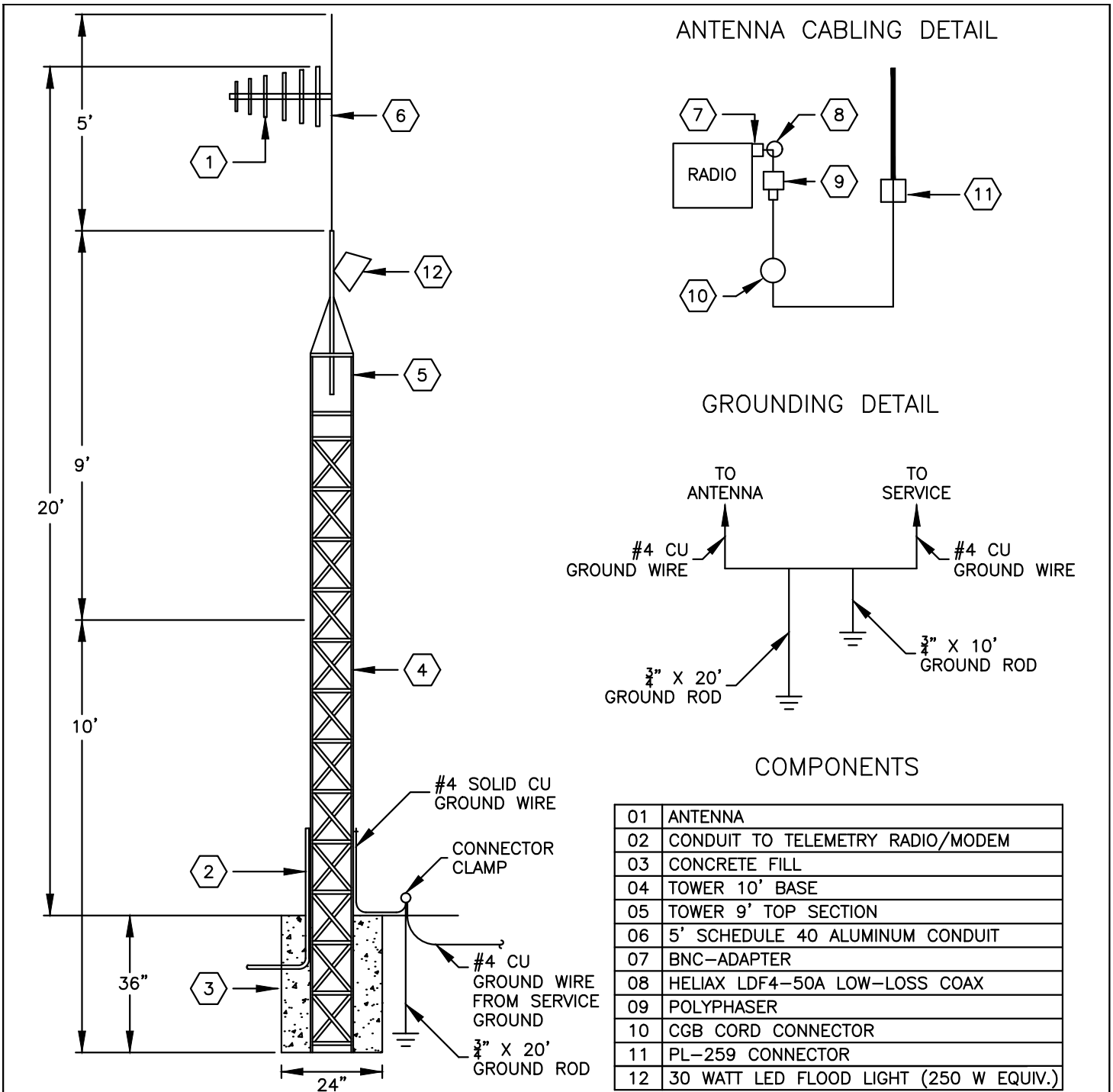
1. BOTH RISERS SHALL BE BRASS OR TYPE "K" COPPER TUBING (HARD DRAW) WITH COPPER / BRASS FITTINGS AND ADAPTERS (NO CRIMPING JOINTS).
2. A 16 GAUGE STP CABLE SHALL BE INSTALLED IN THE CONDUIT FROM THE PRESSURE TRANSDUCER TO THE CONTROL PANEL WITH 15' OF CABLE COILED IN THE PANEL. A PVC JBOX OR 'C' CONDULET SHALL BE USED.
3. SUPPORT SYSTEM WITH STAINLESS STEEL UNISTRUTE.



**MINIMUM CONSTRUCTION STANDARDS FOR
CITY OF PORT ST. LUCIE
900 S.E. OGDEN LANE
PORT ST. LUCIE, FL 34983
PHONE (772) 873-6400 FAX (772) 873-6433**

**LIFT STATION WATER METER
AND
BACKFLOW PREVENTION ASSEMBLY**

**DETAIL: PS-07
DATE: 2019
SCALE: N.T.S.
SHEET: 1 OF 1**



NOTES:

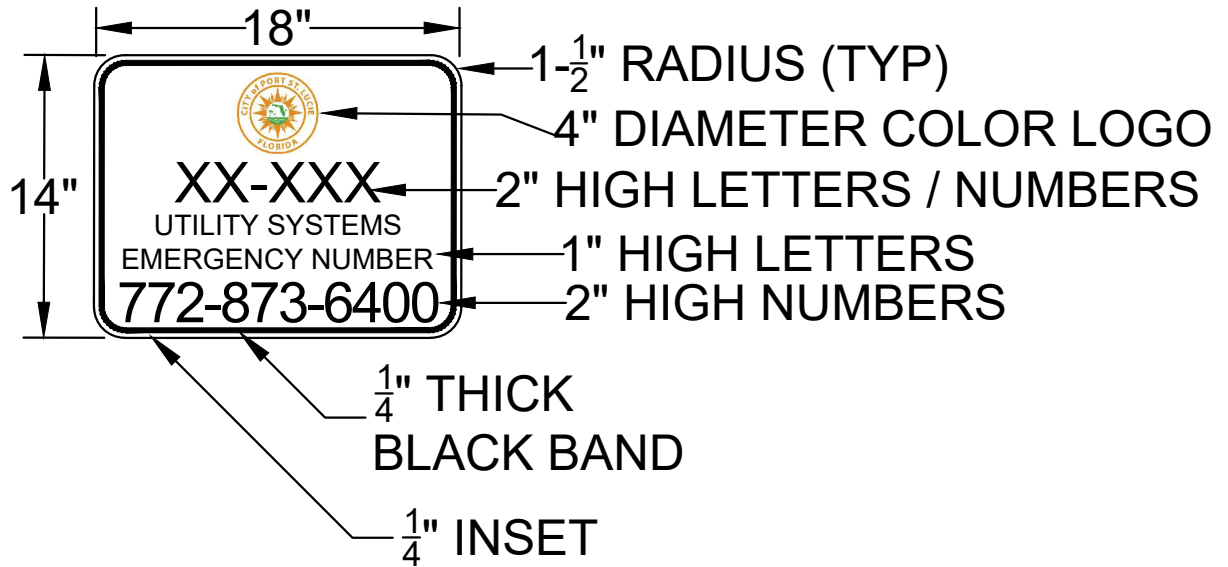
1. THE RTU ANTENNA SHALL BE INSTALLED IN ACCORDANCE WITH THE PSLUSD UTILITY STANDARDS.
2. A SINGLE SUBCONTRACTOR SHALL BE RESPONSIBLE FOR ALL HARDWARE, SOFTWARE SYSTEM INTEGRATION, PROGRAMMING, TESTING AND START UP.
3. THE SYSTEM SUPPLIER SHALL BE RESPONSIBLE FOR INTERFACING WIRING BETWEEN THE PUMP CONTROL PANEL AND THE RTU.
4. GROUND WIRE SHALL BE CONTINUOUS BETWEEN GROUND RODS FOR THE ANTENNA AND SERVICE.



**MINIMUM CONSTRUCTION STANDARDS FOR
CITY OF PORT ST. LUCIE**
 900 S.E. OGDEN LANE
 PORT ST. LUCIE, FL 34983
 PHONE (772) 873-6400 FAX (772) 873-6433

**LIFT STATION
TYPICAL RTU ANTENNA**

DETAIL: PS-08
DATE: 2019
SCALE: N.T.S.
SHEET: 1 OF 1



NOTES:

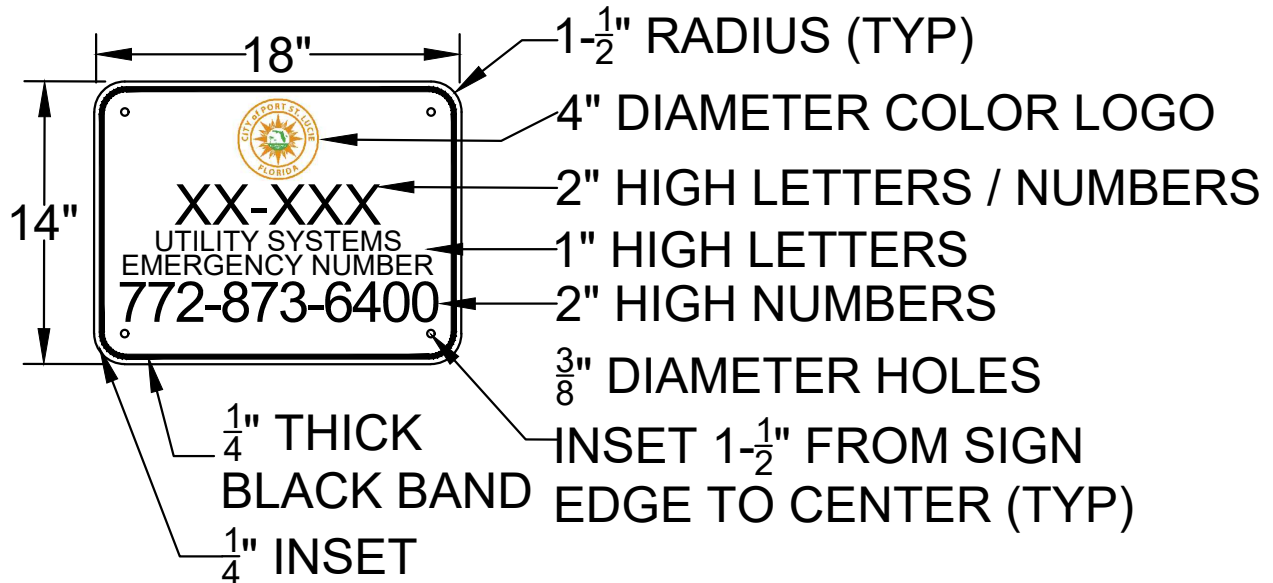
1. SIGN SHALL BE FURNISHED AND INSTALLED BY CONTRACTOR.
2. GRINDER STATION DESIGNATION NUMBER (XX-XXX) WILL BE ASSIGNED BY PSLUSD.
3. THE SIGN SHALL BE ADHESIVE BACKED, UV RESISTANT VINYL WITH REFLECTIVE WHITE BACKGROUND AND BLACK LETTERING.
4. THE SIGN SHALL BE MOUNTED TO THE OUTSIDE OF THE CONTROL PANEL DOOR.



**MINIMUM CONSTRUCTION STANDARDS FOR
CITY OF PORT ST. LUCIE**
 900 S.E. OGDEN LANE
 PORT ST. LUCIE, FL 34983
 PHONE (772) 873-6400 FAX (772) 873-6433

GRINDER STATION SIGNAGE

DETAIL: PS-09A
DATE: 2020
SCALE: N.T.S.
SHEET: 1 OF 1



NOTES:

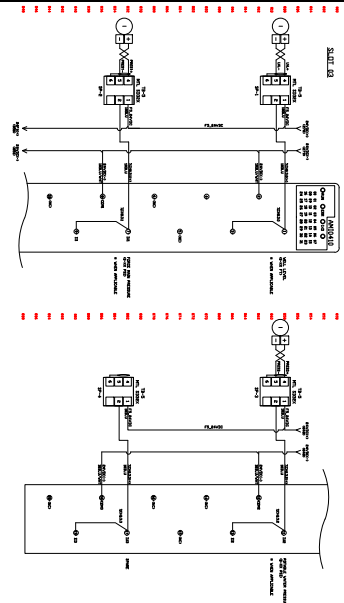
1. SIGN SHALL BE FURNISHED AND INSTALLED BY CONTRACTOR.
2. LIFT STATION DESIGNATION NUMBER (XX-XXX) WILL BE ASSIGNED BY PSLUSD.
3. THE SIGN SHALL BE $\frac{1}{8}$ " ALUMINUM WITH REFLECTIVE WHITE BACKGROUND AND BLACK LETTERING.
4. THE SIGN SHALL BE MOUNTED ON LIFT STATION GATE OR FENCE A MINIMUM 48" FROM BOTTOM OF FENCE AND SHALL BE VISIBLE FROM STREET. THE SIGN SHALL BE PERMANENTLY ATTACHED TO THE FENCE WITH STAINLESS STEEL HARDWARE.



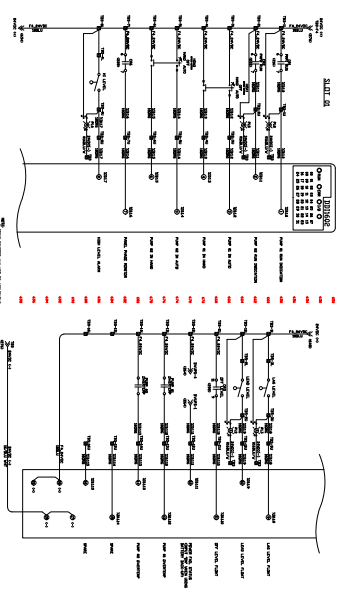
MINIMUM CONSTRUCTION STANDARDS FOR
CITY OF PORT ST. LUCIE
900 S.E. OGDEN LANE
PORT ST. LUCIE, FL 34983
PHONE (772) 873-6400 FAX (772) 873-6433

LIFT STATION SIGNAGE

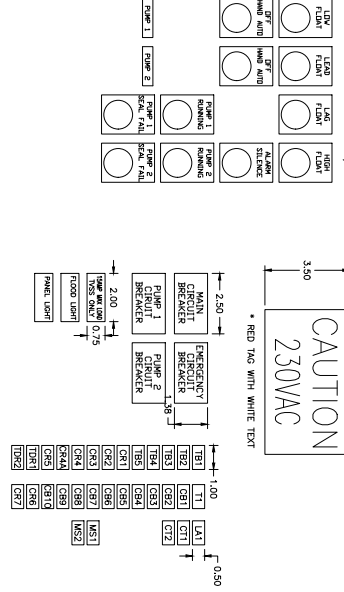
DETAIL: PS-09B
DATE: 2020
SCALE: N.T.S.
SHEET: 1 OF 1



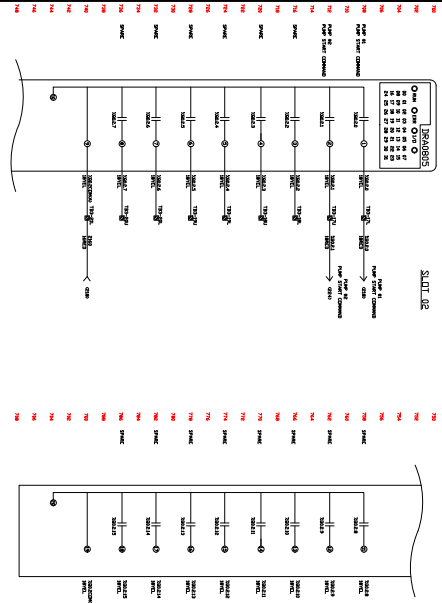
ANALOG INPUT
DUPLICATION
PUMP PANEL



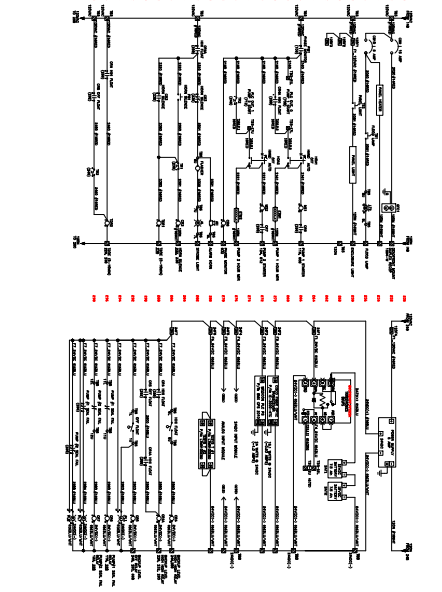
DISCRETE INPUTS
DUPLICATION
PUMP PANEL



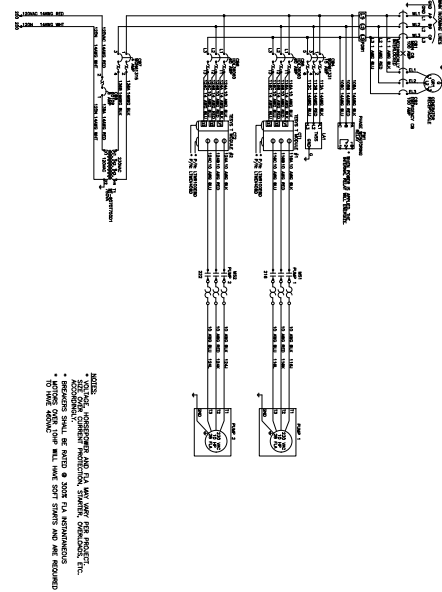
NAMEPLATE DETAILS
230VAC, 3 PHASE, 60 HERTZ
DUPLICATION
PUMP PANEL



DISCRETE OUTPUTS
DUPLICATION
PUMP PANEL



POWER CIRCUITS
120VAC
DUPLICATION
PUMP PANEL



POWER CIRCUITS
DUPLICATION
PUMP PANEL

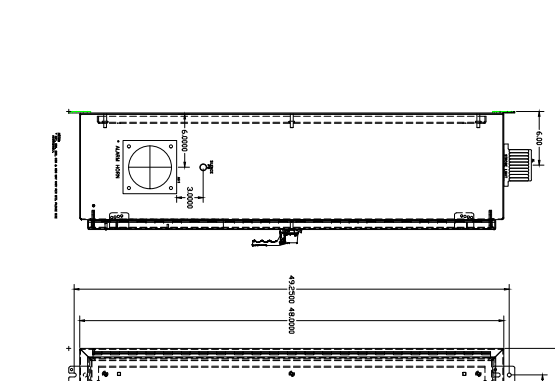
DETAIL: PS-10
DATE: 2019
SCALE: N.T.S.
SHEET: 1 OF 2

ACL WITH FIBER

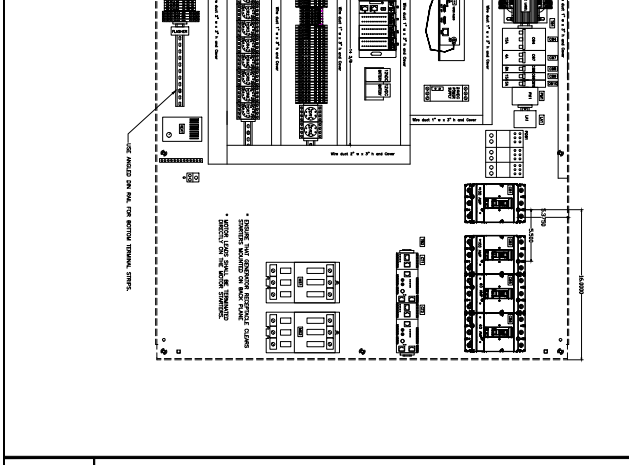
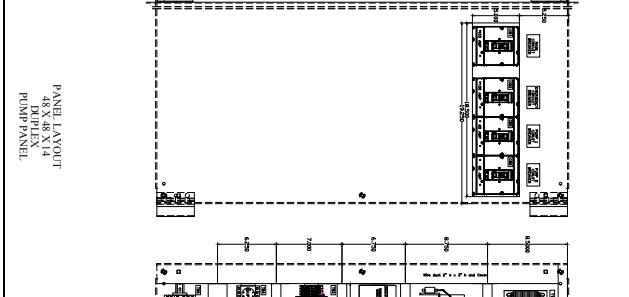
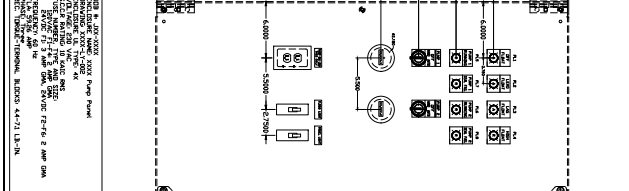
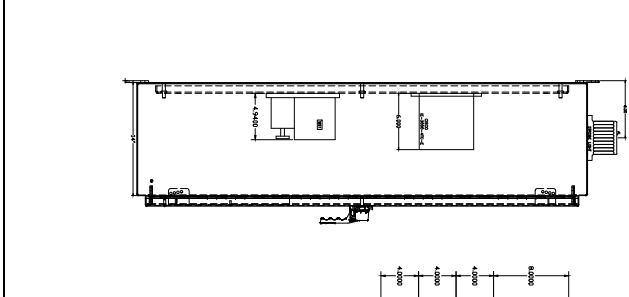
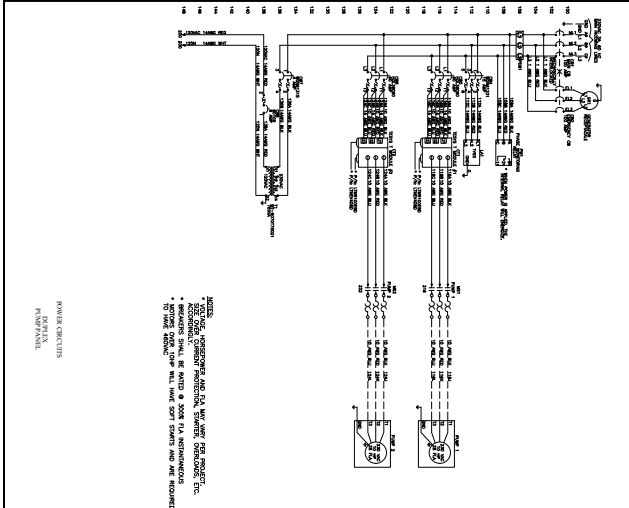
CITY OF PORT ST. LUCIE
UTILITY SYSTEMS DEPARTMENT
900 S.E. OGDEN LANE
PORT ST. LUCIE, FL 34983
PHONE (772) 873-6400 FAX (772) 873-6433

NO.	DESCRIPTION	QTY	UNIT	REMARKS
1	4000	1	EA	4000
2	4000	1	EA	4000
3	4000	1	EA	4000
4	4000	1	EA	4000
5	4000	1	EA	4000
6	4000	1	EA	4000
7	4000	1	EA	4000
8	4000	1	EA	4000
9	4000	1	EA	4000
10	4000	1	EA	4000
11	4000	1	EA	4000
12	4000	1	EA	4000
13	4000	1	EA	4000
14	4000	1	EA	4000
15	4000	1	EA	4000
16	4000	1	EA	4000
17	4000	1	EA	4000
18	4000	1	EA	4000
19	4000	1	EA	4000
20	4000	1	EA	4000
21	4000	1	EA	4000
22	4000	1	EA	4000
23	4000	1	EA	4000
24	4000	1	EA	4000
25	4000	1	EA	4000
26	4000	1	EA	4000
27	4000	1	EA	4000
28	4000	1	EA	4000
29	4000	1	EA	4000
30	4000	1	EA	4000
31	4000	1	EA	4000
32	4000	1	EA	4000
33	4000	1	EA	4000
34	4000	1	EA	4000
35	4000	1	EA	4000
36	4000	1	EA	4000
37	4000	1	EA	4000
38	4000	1	EA	4000
39	4000	1	EA	4000
40	4000	1	EA	4000
41	4000	1	EA	4000
42	4000	1	EA	4000
43	4000	1	EA	4000
44	4000	1	EA	4000
45	4000	1	EA	4000
46	4000	1	EA	4000
47	4000	1	EA	4000
48	4000	1	EA	4000
49	4000	1	EA	4000
50	4000	1	EA	4000
51	4000	1	EA	4000
52	4000	1	EA	4000
53	4000	1	EA	4000
54	4000	1	EA	4000
55	4000	1	EA	4000
56	4000	1	EA	4000
57	4000	1	EA	4000
58	4000	1	EA	4000
59	4000	1	EA	4000
60	4000	1	EA	4000
61	4000	1	EA	4000
62	4000	1	EA	4000
63	4000	1	EA	4000
64	4000	1	EA	4000
65	4000	1	EA	4000
66	4000	1	EA	4000
67	4000	1	EA	4000
68	4000	1	EA	4000
69	4000	1	EA	4000
70	4000	1	EA	4000
71	4000	1	EA	4000
72	4000	1	EA	4000
73	4000	1	EA	4000
74	4000	1	EA	4000
75	4000	1	EA	4000
76	4000	1	EA	4000
77	4000	1	EA	4000
78	4000	1	EA	4000
79	4000	1	EA	4000
80	4000	1	EA	4000
81	4000	1	EA	4000
82	4000	1	EA	4000
83	4000	1	EA	4000
84	4000	1	EA	4000
85	4000	1	EA	4000
86	4000	1	EA	4000
87	4000	1	EA	4000
88	4000	1	EA	4000
89	4000	1	EA	4000
90	4000	1	EA	4000
91	4000	1	EA	4000
92	4000	1	EA	4000
93	4000	1	EA	4000
94	4000	1	EA	4000
95	4000	1	EA	4000
96	4000	1	EA	4000
97	4000	1	EA	4000
98	4000	1	EA	4000
99	4000	1	EA	4000
100	4000	1	EA	4000

NO.	DESCRIPTION	QTY	UNIT	REMARKS
1	4000	1	EA	4000
2	4000	1	EA	4000
3	4000	1	EA	4000
4	4000	1	EA	4000
5	4000	1	EA	4000
6	4000	1	EA	4000
7	4000	1	EA	4000
8	4000	1	EA	4000
9	4000	1	EA	4000
10	4000	1	EA	4000
11	4000	1	EA	4000
12	4000	1	EA	4000
13	4000	1	EA	4000
14	4000	1	EA	4000
15	4000	1	EA	4000
16	4000	1	EA	4000
17	4000	1	EA	4000
18	4000	1	EA	4000
19	4000	1	EA	4000
20	4000	1	EA	4000
21	4000	1	EA	4000
22	4000	1	EA	4000
23	4000	1	EA	4000
24	4000	1	EA	4000
25	4000	1	EA	4000
26	4000	1	EA	4000
27	4000	1	EA	4000
28	4000	1	EA	4000
29	4000	1	EA	4000
30	4000	1	EA	4000
31	4000	1	EA	4000
32	4000	1	EA	4000
33	4000	1	EA	4000
34	4000	1	EA	4000
35	4000	1	EA	4000
36	4000	1	EA	4000
37	4000	1	EA	4000
38	4000	1	EA	4000
39	4000	1	EA	4000
40	4000	1	EA	4000
41	4000	1	EA	4000
42	4000	1	EA	4000
43	4000	1	EA	4000
44	4000	1	EA	4000
45	4000	1	EA	4000
46	4000	1	EA	4000
47	4000	1	EA	4000
48	4000	1	EA	4000
49	4000	1	EA	4000
50	4000	1	EA	4000
51	4000	1	EA	4000
52	4000	1	EA	4000
53	4000	1	EA	4000
54	4000	1	EA	4000
55	4000	1	EA	4000
56	4000	1	EA	4000
57	4000	1	EA	4000
58	4000	1	EA	4000
59	4000	1	EA	4000
60	4000	1	EA	4000
61	4000	1	EA	4000
62	4000	1	EA	4000
63	4000	1	EA	4000
64	4000	1	EA	4000
65	4000	1	EA	4000
66	4000	1	EA	4000
67	4000	1	EA	4000
68	4000	1	EA	4000
69	4000	1	EA	4000
70	4000	1	EA	4000
71	4000	1	EA	4000
72	4000	1	EA	4000
73	4000	1	EA	4000
74	4000	1	EA	4000
75	4000	1	EA	4000
76	4000	1	EA	4000
77	4000	1	EA	4000
78	4000	1	EA	4000
79	4000	1	EA	4000
80	4000	1	EA	4000
81	4000	1	EA	4000
82	4000	1	EA	4000
83	4000	1	EA	4000
84	4000	1	EA	4000
85	4000	1	EA	4000
86	4000	1	EA	4000
87	4000	1	EA	4000
88	4000	1	EA	4000
89	4000	1	EA	4000
90	4000	1	EA	4000
91	4000	1	EA	4000
92	4000	1	EA	4000
93	4000	1	EA	4000
94	4000	1	EA	4000
95	4000	1	EA	4000
96	4000	1	EA	4000
97	4000	1	EA	4000
98	4000	1	EA	4000
99	4000	1	EA	4000
100	4000	1	EA	4000



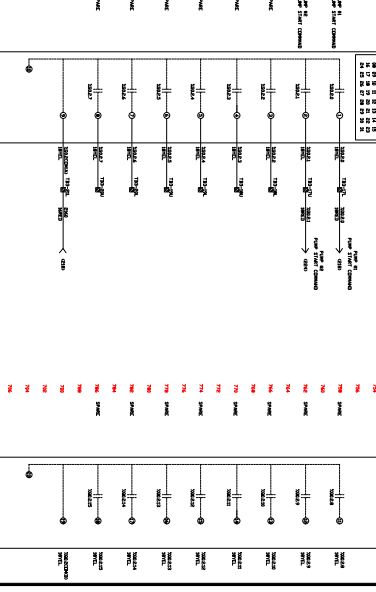
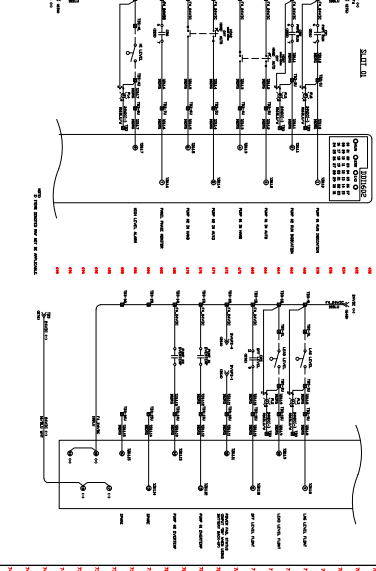
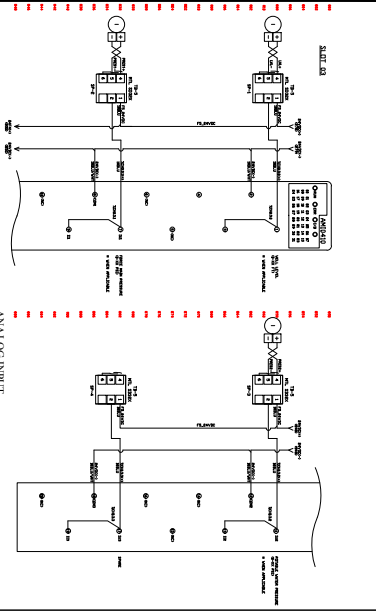
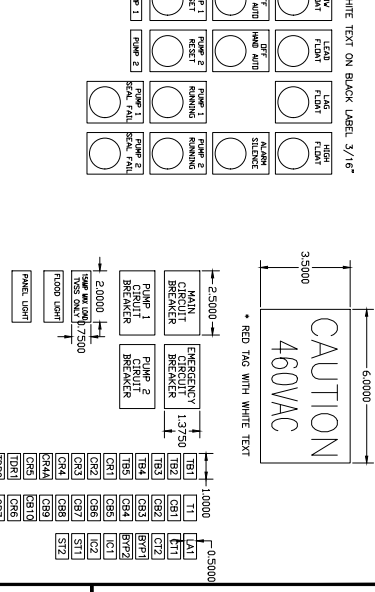
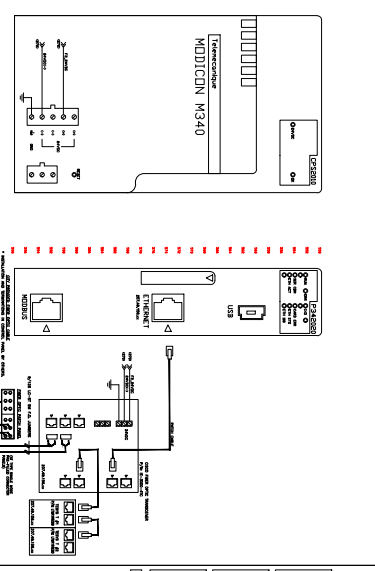
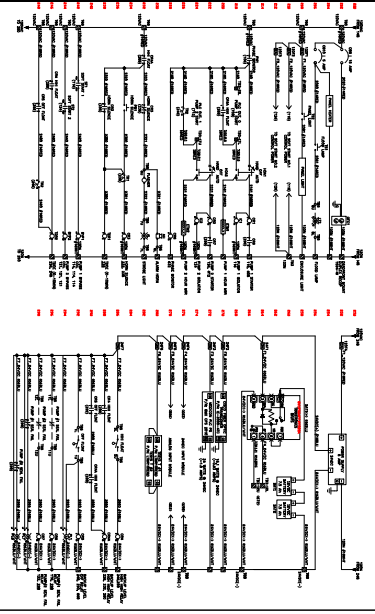
NOTE:
 ENCLOSURE DOORS SHALL HAVE DOOR STOPS INCLUDED
 TO PREVENT DAMAGE TO THE DOORS AND WINDOW CASSETS.
 ENCLOSURE SHALL BE AS SHOWN IN THE DRAWING.
 ENCLOSURE SHALL BE AS SHOWN IN THE DRAWING.
 ENCLOSURE SHALL BE AS SHOWN IN THE DRAWING.
 ENCLOSURE SHALL BE AS SHOWN IN THE DRAWING.



DETAIL: PS-11
 DATE: 2019
 SCALE: N.T.S.
 SHEET: 2 OF 2

ACL WITH RADIO

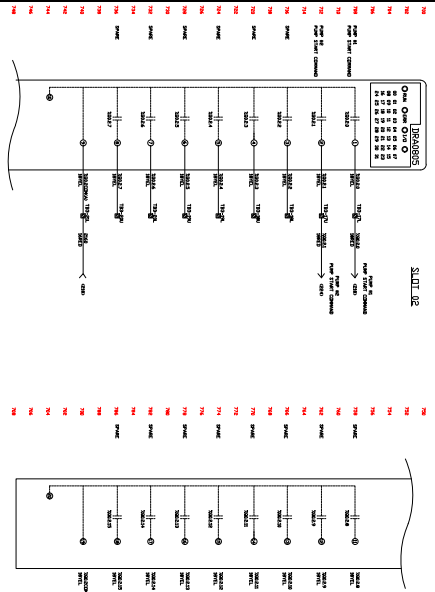
CITY OF PORT ST. LUCIE
UTILITY SYSTEMS DEPARTMENT
900 S.E. OGDEN LANE
PORT ST. LUCIE, FL 34983
 PHONE (772) 873-6400 FAX (772) 873-6433



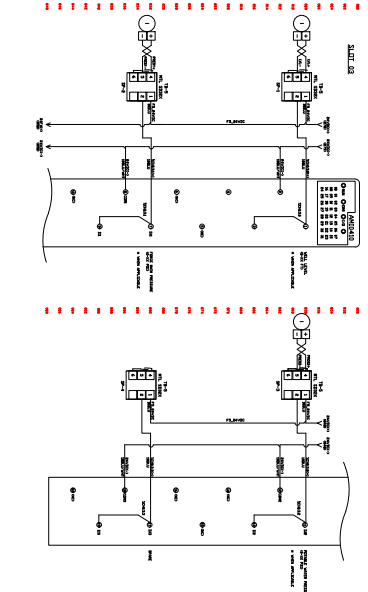
DETAIL: PS-12
DATE: 2019
SCALE: N.T.S.
SHEET: 1 OF 2

SOFT START WITH FIBER

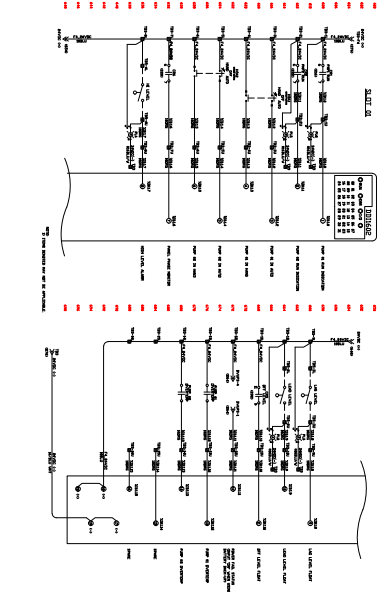
CITY OF PORT ST. LUCIE
UTILITY SYSTEMS DEPARTMENT
900 S.E. OGDEN LANE
PORT ST. LUCIE, FL 34983
PHONE (772) 873-6400 FAX (772) 873-6433



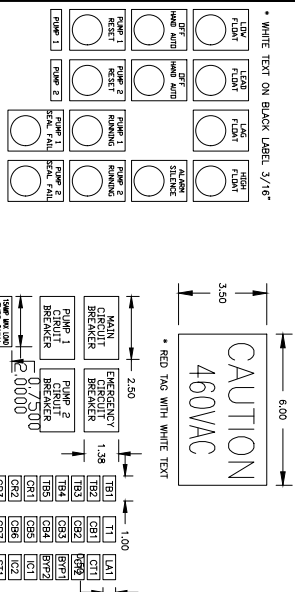
DISCRETE UNITS
RADIO
RACK PANEL



ANALOG UNITS
RADIO
RACK PANEL



DISCRETE UNITS
SLOT
RACK PANEL

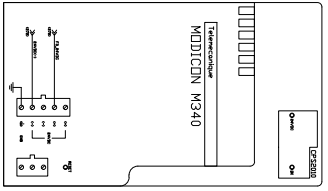


WHITE TEXT ON BLACK LABEL 3/16"

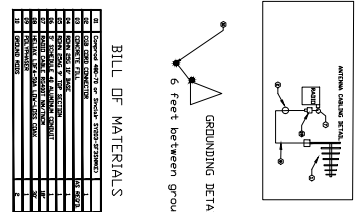
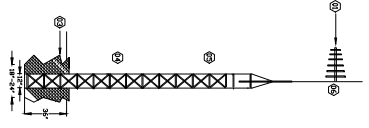
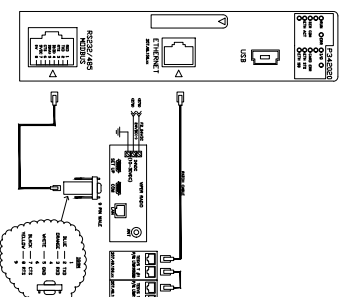
RED TAG WITH WHITE TEXT

WHITE TEXT ON BLACK LABELS 3/16"

CITY OF PORT ST. LUCIE, FLORIDA
UTILITY SYSTEMS DEPARTMENT
900 S.E. OGDEN LANE
PORT ST. LUCIE, FLORIDA 34983



COMMUNICATIONS
FIRE/ALARM
DISTRIBUTION
RACK PANEL



GROUNDING DETAIL
6 feet between ground rods

ANTENNA CABLE DETAIL

BILL OF MATERIALS

NO.	DESCRIPTION	QTY	UNIT
1	GROUND ROD	1	EA
2	GROUNDING CABLE	1	EA
3	GROUNDING CLAMP	1	EA
4	GROUNDING WIRE	1	EA
5	GROUNDING BUSHING	1	EA
6	GROUNDING NUT	1	EA
7	GROUNDING WASHER	1	EA
8	GROUNDING SCREW	1	EA
9	GROUNDING PLATE	1	EA
10	GROUNDING ANGLE	1	EA
11	GROUNDING BRACKET	1	EA
12	GROUNDING ROD	1	EA
13	GROUNDING WIRE	1	EA
14	GROUNDING CLAMP	1	EA
15	GROUNDING WIRE	1	EA
16	GROUNDING CLAMP	1	EA
17	GROUNDING WIRE	1	EA
18	GROUNDING CLAMP	1	EA
19	GROUNDING WIRE	1	EA
20	GROUNDING CLAMP	1	EA
21	GROUNDING WIRE	1	EA
22	GROUNDING CLAMP	1	EA
23	GROUNDING WIRE	1	EA
24	GROUNDING CLAMP	1	EA
25	GROUNDING WIRE	1	EA
26	GROUNDING CLAMP	1	EA
27	GROUNDING WIRE	1	EA
28	GROUNDING CLAMP	1	EA
29	GROUNDING WIRE	1	EA
30	GROUNDING CLAMP	1	EA
31	GROUNDING WIRE	1	EA
32	GROUNDING CLAMP	1	EA
33	GROUNDING WIRE	1	EA
34	GROUNDING CLAMP	1	EA
35	GROUNDING WIRE	1	EA
36	GROUNDING CLAMP	1	EA
37	GROUNDING WIRE	1	EA
38	GROUNDING CLAMP	1	EA
39	GROUNDING WIRE	1	EA
40	GROUNDING CLAMP	1	EA
41	GROUNDING WIRE	1	EA
42	GROUNDING CLAMP	1	EA
43	GROUNDING WIRE	1	EA
44	GROUNDING CLAMP	1	EA
45	GROUNDING WIRE	1	EA
46	GROUNDING CLAMP	1	EA
47	GROUNDING WIRE	1	EA
48	GROUNDING CLAMP	1	EA
49	GROUNDING WIRE	1	EA
50	GROUNDING CLAMP	1	EA

THEIR ANTI-CORROSION
TOWARD ENVIRONMENTAL
PROTECTION

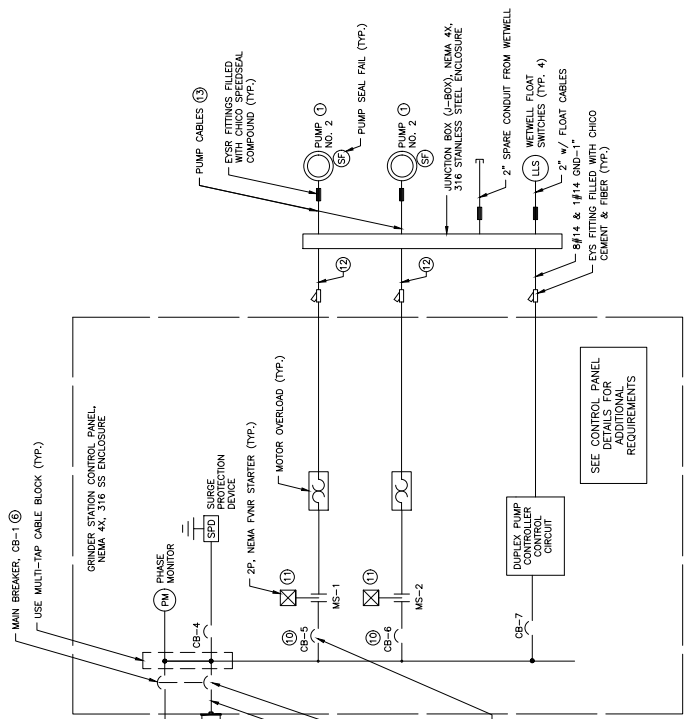
DETAIL: PS-13
DATE: 2019
SCALE: N.T.S.
SHEET: 1 OF 2

SOFT START WITH RADIO

CITY OF PORT ST. LUCIE
UTILITY SYSTEMS DEPARTMENT
900 S.E. OGDEN LANE
PORT ST. LUCIE, FL 34983
PHONE (772) 873-6400 FAX (772) 873-6433



DUPLEX GRINDER STATION SINGLE LINE DIAGRAM 240V, 1-PHASE (2HP) WITH ACL



LOAD TABULATION
 240V-1 ϕ

DESCRIPTION	LOAD	AMPAcity
OPUMP NO.1	1 ϕ - HP	= 5.00 AMPS
OPUMP NO.2	1 ϕ - HP	= 5.00 AMPS
MISC.		
CONNECTED LOAD = _____ AMPS		
SERVICE ENTRANCE = _____ AMPS + (0.25)(_____) = _____ AMPS		

NOTES:
 1) AMPACITIES PER TABLE 430-248 OF THE NATIONAL ELECTRICAL CODE.
 2) SERVICE ENTRANCE MINIMUM SIZE AS PER ARTICLE 230 OF THE NATIONAL ELECTRICAL CODE.
 3) LARGEST MOTOR LOAD.

- 1) 240V, 1-PHASE HEAVY DUTY FUSIBLE DISC. SWITCH w/ 30A BUSSMAN CLASS RK-1 FUSES AND INSTALL DOUBLE LUGS ON LOAD SIDE FOR INSTALLATION OF SURGE PROTECTION DEVICE (SPD)
- 2) FPL METER CAN CONTRACTOR TO FURNISH CONTAINED METER SOCKET (WITH AN FPL APPROVED BYPASS DEVICE). ENCLOSURE TO BE COORDINATE WITH FPL FOR LUG/CONNECTOR RINGS ALONG WITH ALL LUGS/CONNECTOR CAPTIVE-SCREW TYPE. FPL TO FURNISH AND INSTALL METER TO FPL SERVICE POINT. SEE SITE PLAN
- 3) GROUND WIRE
- 4) 5/8" x 20" COPPER GROUND ROD (TYP. 2 MIN.)
- 5) GENERATOR RECEPTACLE
- 6) FPL METER CAN CONTRACTOR TO FURNISH CONTAINED METER SOCKET (WITH AN FPL APPROVED BYPASS DEVICE). ENCLOSURE TO BE COORDINATE WITH FPL FOR LUG/CONNECTOR RINGS ALONG WITH ALL LUGS/CONNECTOR CAPTIVE-SCREW TYPE. FPL TO FURNISH AND INSTALL METER TO FPL SERVICE POINT. SEE SITE PLAN
- 7) EMERGENCY BREAKER, CE-2 WITH MAIN BHR
- 8) SURGE PROTECTION DEVICE, NEMA 4X ENCLOSURE
- 9) MAIN BREAKER, CE-1
- 10) USE MULTI-TAP CABLE BLOCK (TYP.)
- 11) MOTOR STARTER (TYP. 2)
- 12) MOTOR OVERLOAD (TYP.)

DUPLEX GRINDER STATION
 SINGLE LINE DIAGRAM
 240V, 1-PHASE (2HP)
 SCALE: N.T.S.

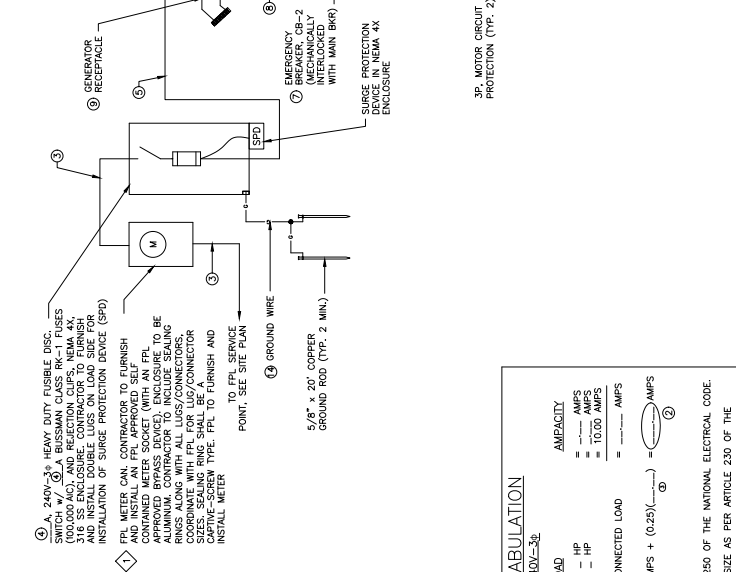
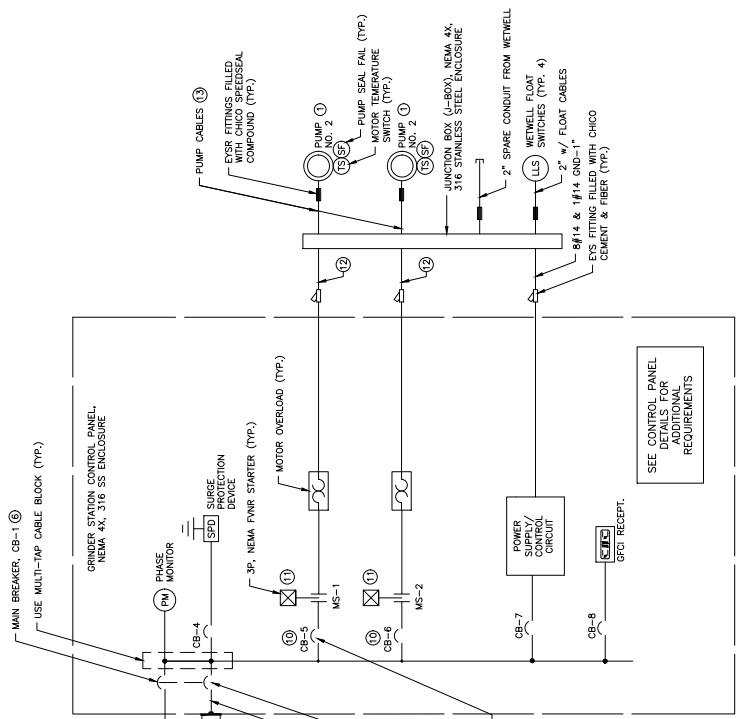
Reviewed for Code Compliance
 Expires 03/16/2021
 Discipline: ELECTRICAL
 Approved By: Bharrison
 Approval Date: 03/16/2021

240V-1 ϕ , 3W DUPLEX GRINDER STATIONS CROSS REFERENCE TABLE

① MOTOR HP	② LOAD TABULATION/SERVICE MINIMUM (LARGEST MOTOR REQUIRED)	③ SERVICE CONDUIT & CONDUCTOR (BEFORE DISCONNECT)	④ FUSED DISCONNECT / PUSES	⑤ FEEDER CONDUCTORS (AFTER DISCONNECT)	⑥ PANEL MAIN BREAKER (CB-1)	⑦ PANEL EMERGENCY BREAKER (CB-2)	⑧ EMERGENCY CONDUCTORS	⑨ GENERATOR RECEPTACLE (CB-6)	⑩ MOTOR BREAKER & SIZE (CB-6)	⑪ MOTOR STARTER & SIZE (CB-6)	⑫ MOTOR WIRES & CONDUIT CONTROL PANEL & J-BOX	⑬ PUMP CABLE TRINED CABLE SIZE	⑭ BARE TRINED CABLE SIZE
2	32A	2#2 & 1#2 N-1 1/2"	100A/2P / 3#2 & 1#6 GND-1 1/2" 100A	3#2 & 1#6 GND-1 1/2"	100A/2P	100A/2P	3#2 & 1#6 GND	100A/2P	25A/2P	1	2#10, 2#14 & 1#10 GND-1"	2"	#6 AWG



DUPLIX GRINDER STATION SINGLE LINE DIAGRAM 240V, 3-PHASE (2-5HP) WITH ACL



LOAD TABULATION
240V-3Ø

DESCRIPTION	LOAD	AMPACT
OPUMP NO.1	1 Ø - HP	----- AMPS
OPUMP NO.2	1 Ø - HP	----- AMPS
MISC.	-----	----- AMPS
CONNECTED LOAD	-----	----- AMPS
Ø SERVICE ENTRANCE =	-----	AMPS + (0.25)(.....) = (.....) AMPS

NOTES:
 Ø AMPACITIES PER TABLE 430-250 OF THE NATIONAL ELECTRICAL CODE.
 Ø SERVICE ENTRANCE MINIMUM SIZE AS PER ARTICLE 230 OF THE NATIONAL ELECTRICAL CODE.
 Ø LARGEST MOTOR LOAD.

NOTES:
 1 ELECTRICAL CONTRACTOR SHALL COORDINATE WITH FPL FOR METERING REQUIREMENTS AND IDENTIFICATION AND PHASE ARRANGEMENT SHALL BE PER NEC.
 2 EQUIPMENT AND WIRE SHALL BE SIZED AND RATED ACCORDING TO THE SERVICE VOLTAGE AND PHASE ARRANGEMENT. REFER TO CROSS REFERENCE TABLE BELOW.

① A. 240V, 3Ø HEAVY DUTY FUSIBLE DISC. SWITCH WITH A BUSMAN CLASS RK-1 FUSES 316 SS ENCLOSURE. CONTRACTOR TO FURNISH AND INSTALL DOUBLE LUGS ON LOAD SIDE FOR INSTALLATION OF SURGE PROTECTION DEVICE (SPD)
 ② FPL METER CAN CONTRACTOR TO FURNISH CONTAINED METER SOCKET (WITH AN FPL APPROVED BYPASS DEVICE). ENCLOSURE TO BE COORDINATE WITH ALL LUGS/CONNECTOR RINGS ALONG WITH ALL LUGS/CONNECTOR CAPTIVE-SCREW TYPE. FPL TO FURNISH AND INSTALL METER TO FPL SERVICE POINT. SEE SITE PLAN
 ③ GROUND WIRE
 ④ 5/8" x 30" COPPER GROUND ROD (TYP. 2 MIN.)
 ⑤ SURGE PROTECTION DEVICE (SPD) NEMA 4X
 ⑥ EMERGENCY BREAKER, CB-2 INTERLOCKED WITH MAIN BKR
 ⑦ 3Ø, NEMA 4X MOTOR STARTER (TYP.)
 ⑧ USE MULTI-TAP CABLE BLOCK (TYP.) GRINDER STATION CONTROL PANEL, NEMA 4X, 316 SS ENCLOSURE
 ⑨ PHASE MONITOR
 ⑩ SURGE PROTECTION DEVICE
 ⑪ MS-1, MS-2
 ⑫ MOTOR OVERLOAD (TYP.)
 ⑬ PUMP CABLES
 ⑭ ESR FITTINGS FILLED WITH CHICO SPEEDSEAL COMPOUND (TYP.)
 ⑮ PUMP SEAL FAIL (TYP.)
 ⑯ PUMP SWITCH (TYP.)
 ⑰ JUNCTION BOX (J-BOX), NEMA 4X, 316 STAINLESS STEEL ENCLOSURE
 ⑱ 2" SPARE CONDUIT FROM WETWELL
 ⑲ WETWELL FLOAT SWITCHES (TYP. 4)
 ⑳ 2" x 1/4" FLOAT CABLES
 ㉑ EYS FITTING FILLED WITH CHICO CEMENT & FIBER (TYP.)
 ㉒ POWER SUPPLY/CONTROL CIRCUIT
 ㉓ GFCI RECEPT.
 ㉔ SEE CONTROL PANEL DRAWING FOR ADDITIONAL REQUIREMENTS

DUPLIX GRINDER STATION SINGLE LINE DIAGRAM 240V, 3-PHASE (2-5HP)

SCALE: N.T.S.

240V-3Ø, 4W DUPLIX GRINDER STATIONS CROSS REFERENCE TABLE

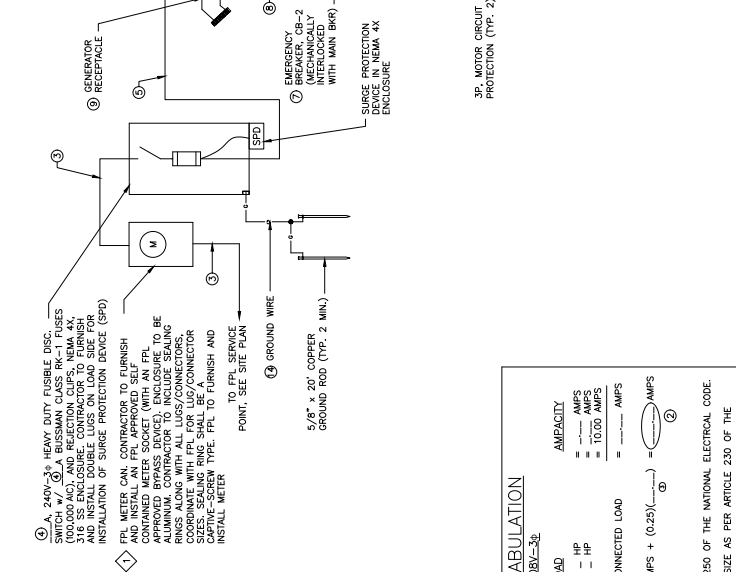
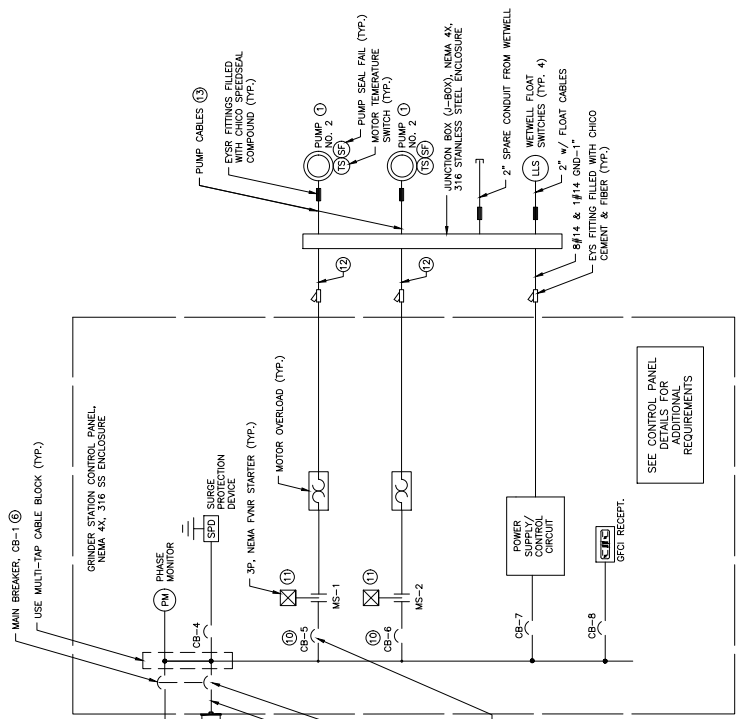
① MOTOR HP	② LOAD TABULATION/ SERVICE MINIMUM (MOTOR FLA x 2.25 + 10 AMPS)	③ SERVICE CONDUIT & CONDUCTOR (BEFORE DISCONNECT)	④ FUSED DISCONNECT/ PUSES	⑤ FEEDER CONDUCTORS (AFTER DISCONNECT)	⑥ PANEL MAIN BREAKER (CB-1)	⑦ PANEL EMERGENCY BREAKER (CB-2)	⑧ EMERGENCY CONDUCTORS	⑨ GENERATOR RECEPTACLE	⑩ MOTOR BREAKER (CB-6)	⑪ MOTOR STARTER BREAKER (CB-4)	⑫ MOTOR CONDUIT (BETWEEN CONTROL PANEL & J-BOX)	⑬ PUMP CABLE (MINIMUM SIZE)	⑭ BASE FINISHED (CONDUIT GROUND)
2	25.3A	3/4" x 1/2" N-1 1/2"	100A, 3P/ 100A	3/4" x 1/6" GND-1 1/2"	100A, 3P	100A, 3P	3/4" x 1/6" GND	100A, 3P	20A, 3P	1	3/4" x 1/2" 4#14 & 1#12 GND-1"	2"	#6 AWG
3	31.6A	3/4" x 1/2" N-1 1/2"	100A, 3P/ 100A	3/4" x 1/6" GND-1 1/2"	100A, 3P	100A, 3P	3/4" x 1/6" GND	100A, 3P	20A, 3P	1	3/4" x 1/2" 4#14 & 1#12 GND-1"	2"	#6 AWG
5	44.2A	3/4" x 1/2" N-1 1/2"	100A, 3P/ 100A	3/4" x 1/6" GND-1 1/2"	100A, 3P	100A, 3P	3/4" x 1/6" GND	100A, 3P	30A, 3P	1	3/4" x 1/2" 4#14 & 1#12 GND-1"	2"	#6 AWG

Reviewed for Code Compliance
 Expires ID: 7747UL-PS16
 Discipline: ELECTRICAL
 Approved By: Blairson
 Approval Date: 03/16/2021



DUPLEX GRINDER STATION SINGLE LINE DIAGRAM

208V, 3-PHASE (2-5HP) WITH ACL



NOTES:

- ELECTRICAL CONTRACTOR SHALL COORDINATE WITH FPL FOR METERING REQUIREMENTS AND IDENTIFICATION AND PHASE ARRANGEMENT SHALL BE PER NEC.
- EQUIPMENT AND WIRE SHALL BE SIZED AND RATED ACCORDING TO THE SERVICE VOLTAGE AND REFER TO CROSS REFERENCE TABLE BELOW.

LOAD TABULATION
 208V-3Ø

DESCRIPTION	LOAD	AMPACT
OPUMP NO.1	1 Ø - HP	1.0
OPUMP NO.2	1 Ø - HP	1.0
MISC.	10.00 AMPS	10.00
CONNECTED LOAD		12.00 AMPS

Ø SERVICE ENTRANCE = _____ AMPS + (0.25)(_____) = _____ AMPS

NOTES:

- AMPACTIES PER TABLE 430-250 OF THE NATIONAL ELECTRICAL CODE.
- SERVICE ENTRANCE MINIMUM SIZE AS PER ARTICLE 230 OF THE NATIONAL ELECTRICAL CODE.
- LARGEST MOTOR LOAD.

DUPLEX GRINDER STATION
 SINGLE LINE DIAGRAM
 208V, 3-PHASE (2-5HP)
 SCALE: N.T.S.

208V-3Ø, 4W DUPLEX GRINDER STATIONS CROSS REFERENCE TABLE

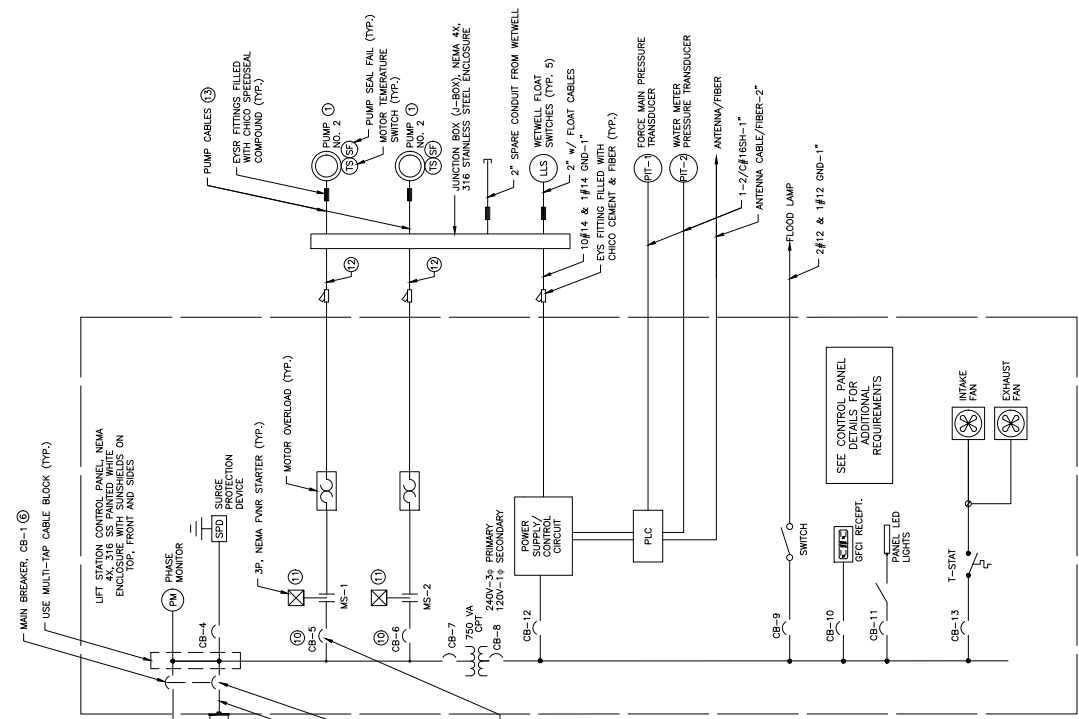
① MOTOR HP	② LOAD TABULATION/ SERVICE MINIMUM (MOTOR/ MISC.)	③ SERVICE CONDUIT & CONDUCTOR (BEFORE DISCONNECT)	④ FUSED DISCONNECT/ POSES	⑤ FEEDER CONDUCTORS (AFTER DISCONNECT)	⑥ PANEL MAIN BREAKER (CB-1)	⑦ PANEL EMERGENCY BREAKER (CB-2)	⑧ EMERGENCY CONDUCTORS	⑨ GENERATOR RECEPTACLE (CE-6)	⑩ MOTOR BREAKER & SIZE (CE-9)	⑪ MOTOR STARTER & SIZE	⑫ MOTOR WIRES & CONDUIT CONTROL PANEL & J-BOX	⑬ PUMP CABLE TYPED SIZE	⑭ BARE TINNED CABLE WITH GROUND
2	7.5A	26.9A	3Ø2 & 1Ø2 N-1 1/2"	100A, 3P/ 100A	100A, 3P	100A, 3P	3Ø2 & 1Ø6 GND	100A, 3P	20A, 3P	1	3Ø12, 4Ø14 & 1Ø12 GND-1"	2"	#6 AWG
3	10.6A	33.9A	3Ø2 & 1Ø2 N-1 1/2"	100A, 3P/ 100A	100A, 3P	100A, 3P	3Ø2 & 1Ø6 GND	100A, 3P	25A, 3P	1	3Ø10, 4Ø14 & 1Ø10 GND-1"	2"	#6 AWG
5	16.7A	47.6A	3Ø2 & 1Ø2 N-1 1/2"	100A, 3P/ 100A	100A, 3P	100A, 3P	3Ø2 & 1Ø6 GND	100A, 3P	35A, 3P	1	3Ø8, 4Ø14 & 1Ø10 GND-1"	2"	#6 AWG

Reviewed for Code Compliance
 Permit Number: 77H-UTIL-PS17
 Discipline: ELECTRICAL
 Approved By: Bharrison
 Approval Date: 03/16/2021

City of Port St. Lucie
 Building Department
 800 S. OGDEN LANE



DUPLEX LIFT STATION SINGLE LINE DIAGRAM 240V, 3-PHASE (10HP) WITH ACL



DUPLEX LIFT STATION
 SINGLE LINE DIAGRAM
 240V, 3-PHASE (10HP)
 SCALE: N.T.S.

① A. 240V-3Ø HEAVY DUTY FUSIBLE DISC. SWITCH WITH A BUSMAN CLASS RK-1 FUSES 316 SS ENCLOSURE. CONTRACTOR TO FURNISH AND INSTALL DOUBLE LUGS ON LOAD SIDE FOR INSTALLATION OF SURGE PROTECTION DEVICE (SPD)

FPL METER CAN CONTRACTOR TO FURNISH CONTAINED METER SOCKET (WITH AN FPL APPROVED BYPASS DEVICE). ENCLOSURE TO BE COORDINATE WITH FPL FOR LUG/CONNECTOR RINGS ALONG WITH ALL LUGS/CONNECTOR CAPTIVE-SCREW TYPE. FPL TO FURNISH AND INSTALL METER

② FPL SERVICES POINT, SEE SITE PLAN

③ GROUND WIRE

④ 5/8" x 30" COPPER GROUND ROD (TYP. 2 MIN.)

⑤ EMERGENCY BREAKER, CB-2 INTERLOCKED WITH MAIN BKR

⑥ SURGE PROTECTION DEVICE, NEMA 4X ENCLOSURE

⑦ 3Ø, NEMA FWR STARTER (TYP.)

⑧ MOTOR OVERLOAD (TYP.)

⑨ GENERATOR RECEPTACLE

⑩ USE MULTI-TAP CABLE BLOCK (TYP.)

⑪ LIFT STATION CONTROL PANEL, NEMA ENCLOSURE WITH SUNSHIELDS ON TOP, FRONT AND SIDES

⑫ ESR FITTINGS FILLED WITH CHICO SPEEDSEAL COMPOUND (TYP.)

⑬ PUMP CABLES

⑭ PUMP SEAL FAIL (TYP.)

⑮ PUMP SEAL FAILURE SWITCH (TYP.)

⑯ PUMP NO. 2

⑰ JUNCTION BOX (J-BOX), NEMA 4X, 316 STAINLESS STEEL ENCLOSURE

⑱ 2" SPARE CONDUIT FROM WELWELL

⑲ WELWELL FLOAT SWITCHES (TYP. 5)

⑳ 2" W/ FLOAT CABLES

㉑ 10#14 & 1#14 GND-1"

㉒ EYS FITTING FILLED WITH CHICO CEMENT & FIBER (TYP.)

㉓ FORCE MAIN PRESSURE TRANSDUCER

㉔ WATER METER PRESSURE TRANSDUCER

㉕ ANTENNA/FIBER

㉖ 1-2/2"Ø#6SH-1"

㉗ ANTENNA CABLE/FIBER-2"

㉘ FLOOD LAMP

㉙ #12 & #12 GND-1"

㉚ SWITCH

㉛ CB-9

㉜ CB-10

㉝ CB-11

㉞ T-STAT

㉟ INTAKE FAN

㊱ EXHAUST FAN

㊲ SEE CONTROL PANEL DETAILS FOR ADDITIONAL REQUIREMENTS

㊳ GFC RECEPT.

㊴ PANEL LED LIGHTS

LOAD TABULATION
 240V-3Ø

DESCRIPTION	LOAD	AMPAcity
OPUMP NO.1	1 Ø - HP	----- AMPs
OPUMP NO.2	1 Ø - HP	----- AMPs
MISC.	-----	10.00 AMPs
CONNECTED LOAD	-----	----- AMPs
Ø SERVICE ENTRANCE =	-----	AMPs + (0.25)(.....) =
Ø AMPACITIES PER TABLE 430-250 OF THE NATIONAL ELECTRICAL CODE.	-----	----- AMPs

NOTES:
 ① AMPACITIES PER TABLE 430-250 OF THE NATIONAL ELECTRICAL CODE.
 ② SERVICE ENTRANCE MINIMUM SIZE AS PER ARTICLE 230 OF THE NATIONAL ELECTRICAL CODE.
 ③ LARGEST MOTOR LOAD.

240V-3Ø, 4W LIFT STATIONS CROSS REFERENCE TABLE

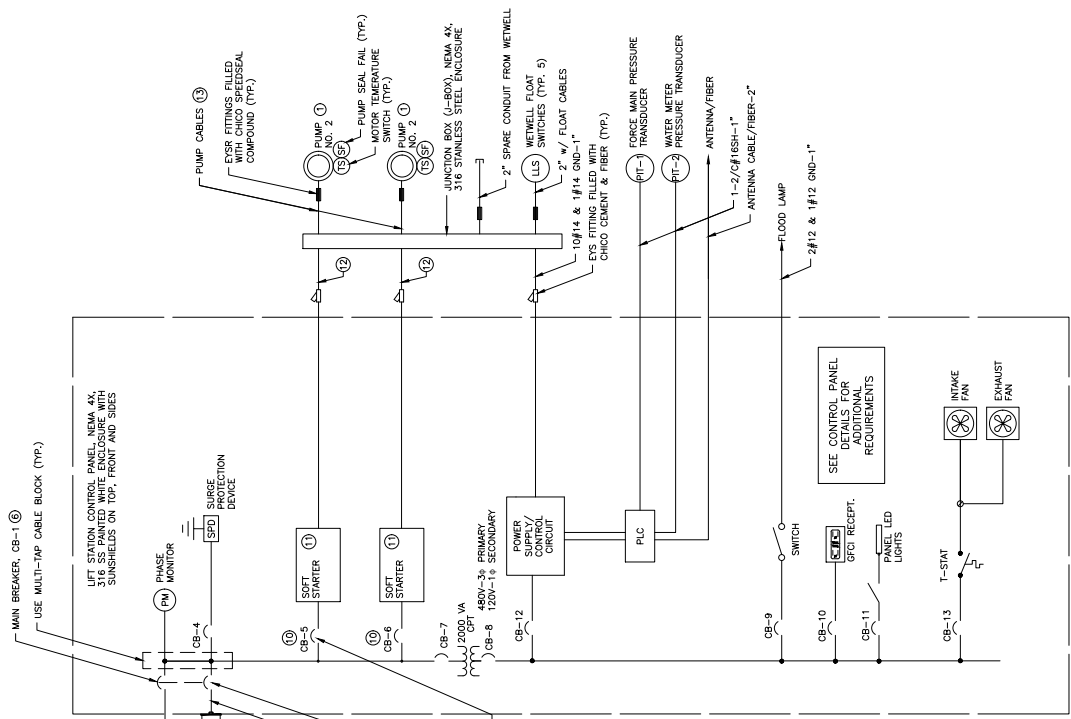
① MOTOR HP	② MOTOR LOAD TABULATION/ SERVICE MINIMUM (PER NEC) 240V (10 AMPs)	③ SERVICE CONDUIT & DISCONNECT (BEFORE DISCONNECT)	④ FUSED DISCONNECT/ FUSES	⑤ FEEDER CONDUCTORS (AFTER DISCONNECT)	⑥ PANEL MAIN BREAKER (CB-1)	⑦ PANEL EMERGENCY BREAKER (CB-2)	⑧ GENERATOR RECEPTACLE	⑨ MOTOR BREAKER (CB-9)	⑩ MOTOR STARTER SIZE	⑪ MOTOR WIRE & CONDUIT SIZE (J-BOX)	⑫ PUMP CABLE TINNED & SIZE	⑬ PUMP CABLE TINNED & SIZE	⑭ BARE CABLE TINNED & GROUND
10	28A	3/2 & 1/2 N-1 1/2"	100A, 3P/100A	3/2 & 1/2 GND-1 1/2"	100A, 3P	100A, 3P	1000, 3P	60A, 3P	2	3/16, 4#14 & 1#10 GND-1 1/4"	2"	2"	#6 AWG

- NOTES:
 ① ELECTRICAL CONTRACTOR SHALL COORDINATE WITH FPL FOR METERING REQUIREMENTS AND IDENTIFICATION AND PHASE ARRANGEMENT SHALL BE PER NEC.
 ② EQUIPMENT AND WIRE SHALL BE SIZED AND RATED ACCORDING TO THE SERVICE VOLTAGE AND REFER TO CROSS REFERENCE TABLE BELOW.

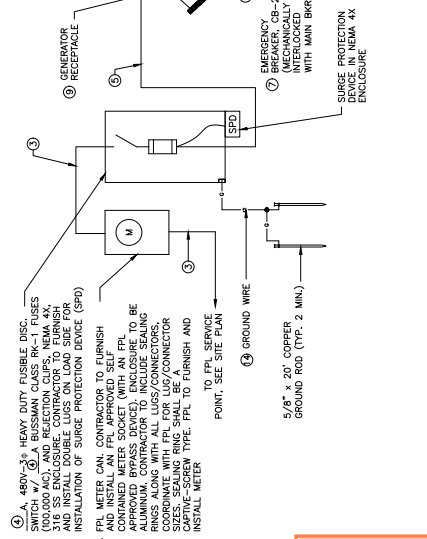
Reviewed for Code Compliance
 Permit Number: 7THUTIL-PS18
 Discipline: ELECTRICAL
 Approved By: Bhairioun
 Approval Date: 03/16/2021



DUPLEX LIFT STATION SINGLE LINE DIAGRAM 480V, 3-PHASE (11-47HP) WITH SOFT START



DUPLEX LIFT STATION
SINGLE LINE DIAGRAM
480V, 3-PHASE (11-47HP)
SCALE: N.T.S.



- NOTES:**
- ELECTRICAL CONTRACTOR SHALL COORDINATE WITH FPL FOR METERING REQUIREMENTS AND IDENTIFICATION AND PHASE ARRANGEMENT SHALL BE PER NEC.
 - EQUIPMENT AND WIRE SHALL BE SIZED AND RATED ACCORDING TO THE SERVICE VOLTAGE. REFER TO CROSS REFERENCE TABLE BELOW.
- LEGEND:**
- ① A. 480V-3P HEAVY DUTY FUSIBLE DISC. SWITCH 1/2" A BUSMAN CLASS RK-1 FUSES 316 SS ENCLOSURE. CONTRACTOR TO FURNISH AND INSTALL DOUBLE LUGS ON LOAD SIDE FOR INSTALLATION OF SURGE PROTECTION DEVICE (SPD)
 - FPL METER CAN. CONTRACTOR TO FURNISH CONTAINED METER SOCKET (WITH AN FPL APPROVED BYPASS DEVICE). ENCLOSURE TO BE COORDINATE WITH FPL FOR LUGS/CONNECTOR CAPTIVE-SCREEN TYPE. FPL TO FURNISH AND INSTALL METER TO FPL SERVICE POINT. SEE SITE PLAN
 - GROUND WIRE
 - 5/8" x 30" COPPER GROUND ROD (TYP. 2 MIN.)

Reviewed for Code Compliance
Express ID: 7b-UTIL-PS19
Discipline: ELECTRIC
Approved By: Bharrison
Approval Date: 03/16/2021

LOAD TABULATION
480V-3P

DESCRIPTION	LOAD	AMPS
OP/PUMP NO.1	1 HP	10.00
OP/PUMP NO.2	1 HP	10.00
MISC.		
CONNECTED LOAD		
② SERVICE ENTRANCE =	AMPS + (0.25)(.....)	AMPS

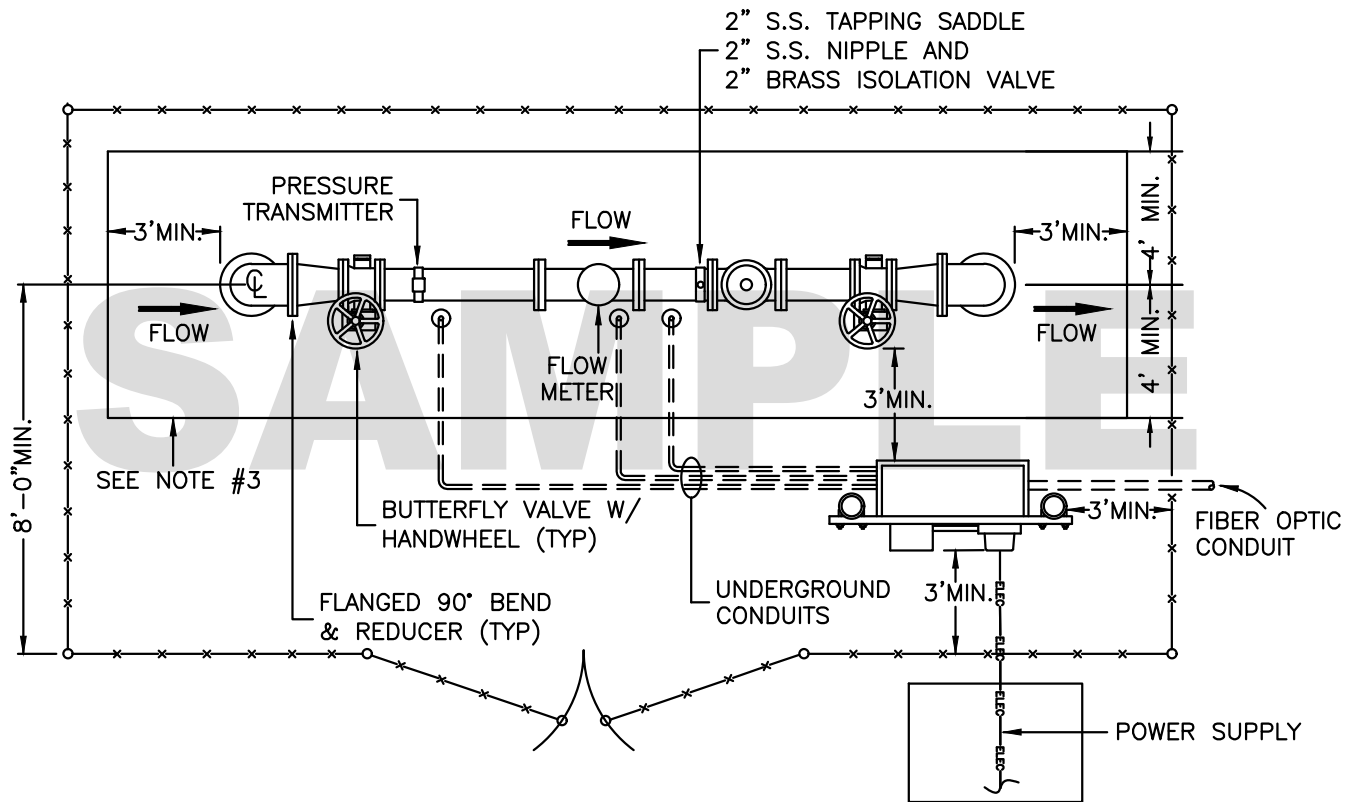
NOTES:

- AMPS PER TABLE 430-250 OF THE NATIONAL ELECTRICAL CODE.
- SERVICE ENTRANCE MINIMUM SIZE AS PER ARTICLE 230 OF THE NATIONAL ELECTRICAL CODE.
- LARGEST MOTOR LOAD.

480V-3P, 4W LIFT STATIONS CROSS REFERENCE TABLE

MOTOR FLA (PER NEC)	LOAD TABLE MINIMUM MOTOR FLA + 2.25 + 10 AMPS	② SERVICE ENTRANCE DISCONNECT (BEFORE DISCONNECT)	③ FEEDER DISCONNECT (AFTER DISCONNECT) / FUSES	④ MAIN EMERGENCY BREAKER (CB-1)	⑤ MAIN EMERGENCY BREAKER (CB-2)	⑥ EMERGENCY CONDUCTORS	⑦ GENERATOR RECEPTACLE (CB-4)	⑧ MAIN BREAKER (CB-6)	⑨ MAIN BREAKER STARTER (CB-6)	⑩ HISTORY OF CONDUIT BETWEEN CONTROL PANEL & J-BOX	⑪ CABLE TRUNKED CONDUIT SIZE	⑫ FPL TRINEX CABLE
11-15	21A	3P2 & 1P2 N-1 1/2"	100A, 3P/100A	100A, 3P	100A, 3P	3P2 & 1P6 GND	100A, 3P	40A, 3P	27A	3P6, 4P14 & 1P10 GND-1 1/2"	2"	#6 AWG
20	27A	3P2 & 1P2 N-1 1/2"	100A, 3P/100A	100A, 3P	100A, 3P	3P2 & 1P6 GND	100A, 3P	50A, 3P	34A	3P6, 4P14 & 1P10 GND-1 1/2"	2"	#6 AWG
25	34A	3P2 & 1P2 N-1 1/2"	100A, 3P/100A	100A, 3P	100A, 3P	3P2 & 1P6 GND	100A, 3P	70A, 3P	40A	3P6, 4P14 & 1P6 GND-1 1/2"	2"	#6 AWG
30	40A	3P1/0 & 1P1/0 N-2 1/2"	150A, 3P/125A	125A, 3P	100A, 3P	3P1/0 & 1P4 GND	100A, 3P	80A, 3P	52A	3P4, 4P14 & 1P8 GND-1 1/2"	2 1/2"	#4 AWG
40	50A	3P1/0 & 1P1/0 N-2 1/2"	150A, 3P/150A	150A, 3P	150A, 3P	3P1/0 & 1P4 GND	200A, 3P	100A, 3P	65A	3P4, 4P14 & 1P8 GND-1 1/2"	3"	#4 AWG
47	57A	3P3/0 & 1P3/0 N-2 1/2"	200A, 3P/200A	200A, 3P	200A, 3P	3P3/0 & 1P4 GND	200A, 3P	125A, 3P	77A	3P2, 4P14 & 1P6 GND-1 1/2"	3"	#4 AWG

**SAMPLE
(SEE NOTE #1)**



NOTES:

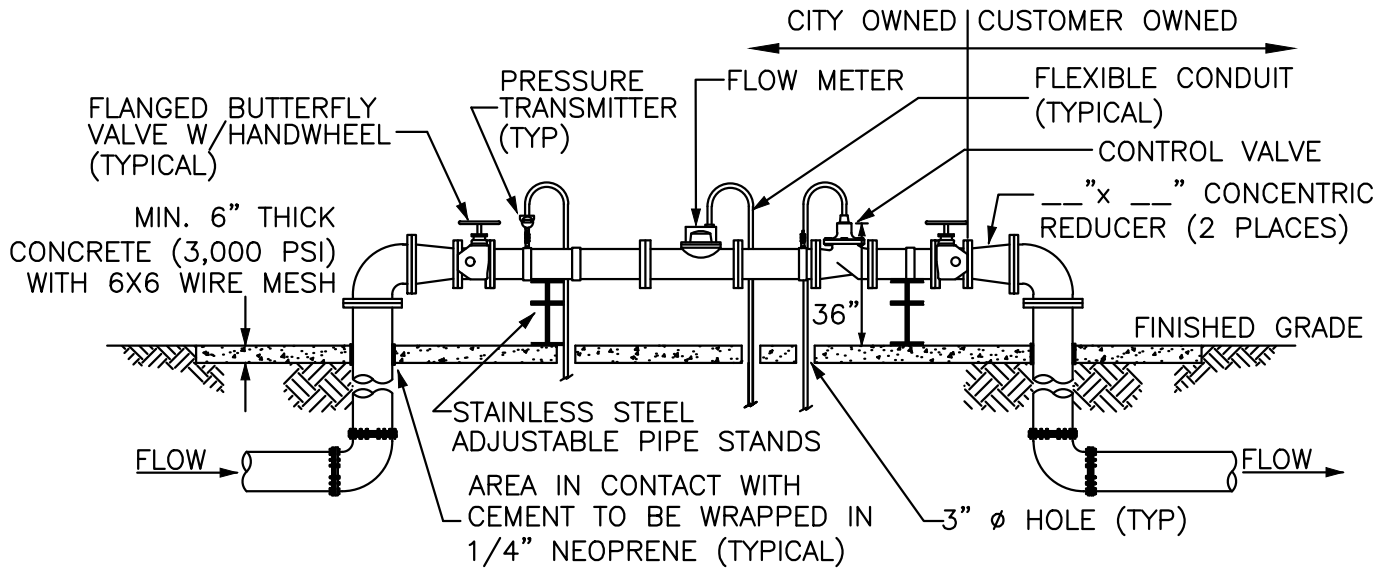
1. THE ABOVE SITE PLAN IS A SAMPLE AND SHALL NOT BE USED AS A STANDARD DETAIL. THE PROPOSED SITE PLAN FOR THE RECLAIMED WATER METERING STATION SHALL BE SUBMITTED TO THE PSLUSD FOR APPROVAL BY THE ENGINEER-OF-RECORD. THE SITE PLAN SHALL BE DRAWN TO SCALE WITH DIMENSIONS AND INDICATE THE SETBACKS AND EASEMENTS FOR ALL THE COMPONENTS. AN EXCLUSIVE UTILITY EASEMENT SHALL BE PROVIDED TO ENCOMPASS THE METERING STATION. AN ACCESS EASEMENT SHALL BE PROVIDED AS DEEMED NECESSARY BY THE PSLUSD.
2. A 6' HIGH CHAIN LINK FENCE AND TWO 6' WIDE SWING GATES SHALL BE PROVIDED PER PSLUSD STANDARD DETAIL G-11.
3. THE AREA SHOWN WITHIN THE FENCE SHALL BE AT LEAST 6" THICK CONCRETE (3000 PSI) WITH 6X6 WIRE MESH. AREA INSIDE THE FENCE THAT IS NOT COVERED BY CONCRETE, STRUCTURES AND EQUIPMENT SHALL HAVE #57 STONE; THE STONE SHALL BE PLACED OVER 2-PLY 4MIL VISQUEEN, A MINIMUM OF 6" BUT NO MORE THAN 8" DEEP.
4. THE GRADING AROUND THE SITE SHALL BE SLOPED TO DIRECT THE RUN-OFF TOWARDS THE DRAINAGE SYSTEM.
5. STABILIZED ACCESS TO THE STATION SHALL BE PROVIDED, AS APPROVED BY THE PSLUSD.
6. LANDSCAPING AROUND THE FENCE SHALL BE IN ACCORDANCE WITH THE LANDSCAPE PLAN APPROVED BY THE PSLUSD.



**MINIMUM CONSTRUCTION STANDARDS FOR
CITY OF PORT ST. LUCIE
900 S.E. OGDEN LANE
PORT ST. LUCIE, FL 34983
PHONE (772) 873-6400 FAX (772) 873-6433**

**RECLAIMED WATER
METERING STATION
PLAN VIEW**

DETAIL: RW-01
DATE: 2019
SCALE: N.T.S.
SHEET: 1 OF 2



NOTES: (PLEASE REFER TO WRITTEN SPECIFICATIONS FOR ADDITIONAL REQUIREMENTS)

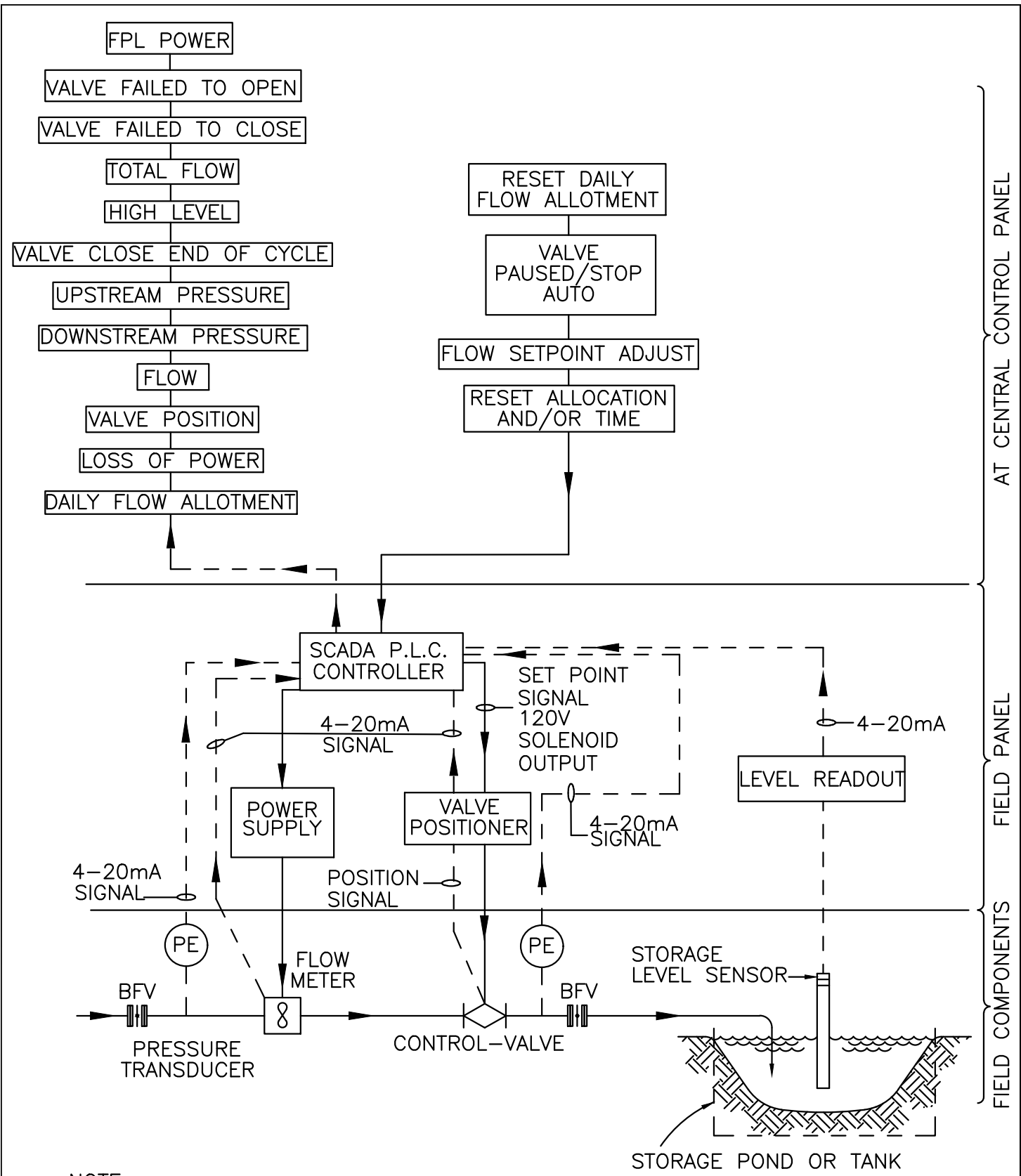
1. MECHANICAL JOINT FITTINGS WITH RESTRAINTS SHALL BE REQUIRED FOR UNDERGROUND AND FLANGED FITTINGS FOR ABOVE GROUND USE. ALL ABOVE GROUND PIPE SHALL BE PAINTED PURPLE.
2. PAINT OR COATINGS SHALL NOT BE APPLIED TO NAME/SERIAL PLATE, STAINLESS STEEL OR BRASS FITTINGS.
3. SPOOL PIECES SHALL BE A MINIMUM LENGTH OF 5 TIMES THE DIAMETER OF THE PIPE UPSTREAM OF THE METER AND A MINIMUM LENGTH OF 3 TIMES THE DIAMETER OF THE PIPE DOWNSTREAM OF THE METER. IF THE METER MANUFACTURERS CRITERIA EXCEEDS THESE MINIMUM LENGTHS, THAT CRITERIA SHALL GOVERN. A 2" STAINLESS STEEL TAPPING SADDLE, 2" S.S. NIPPLE AND 2" BRASS ISOLATION VALVE SHALL BE INSTALLED AT FURTHEST POINT POSSIBLE ON DOWNSTREAM SPOOL PIECE (SEE LOCATION IN DETAIL).
4. ENGINEER-OF-RECORD SHALL FOLLOW DESIGN CRITERIA TO ENSURE THAT THE RECLAIMED WATER DELIVERY SYSTEM REMAINS FULL OF LIQUID AT ALL TIMES. VACUUM BREAKER OR SIPHON BREAKER MAY BE REQUIRED AT STORAGE DISCHARGE.
5. PRESSURE TRANSMITTER OUTPUT SIGNAL (4-20mA DC) SHALL BE LINEAR IN PROPORTION TO PRESSURE RANGE FROM 0 TO 50 PSI.



**MINIMUM CONSTRUCTION STANDARDS FOR
CITY OF PORT ST. LUCIE
900 S.E. OGDEN LANE
PORT ST. LUCIE, FL 34983
PHONE (772) 873-6400 FAX (772) 873-6433**

**RECLAIMED WATER
METERING STATION
PLAN VIEW**

**DETAIL: RW-01
DATE: 2019
SCALE: N.T.S.
SHEET: 2 OF 2**



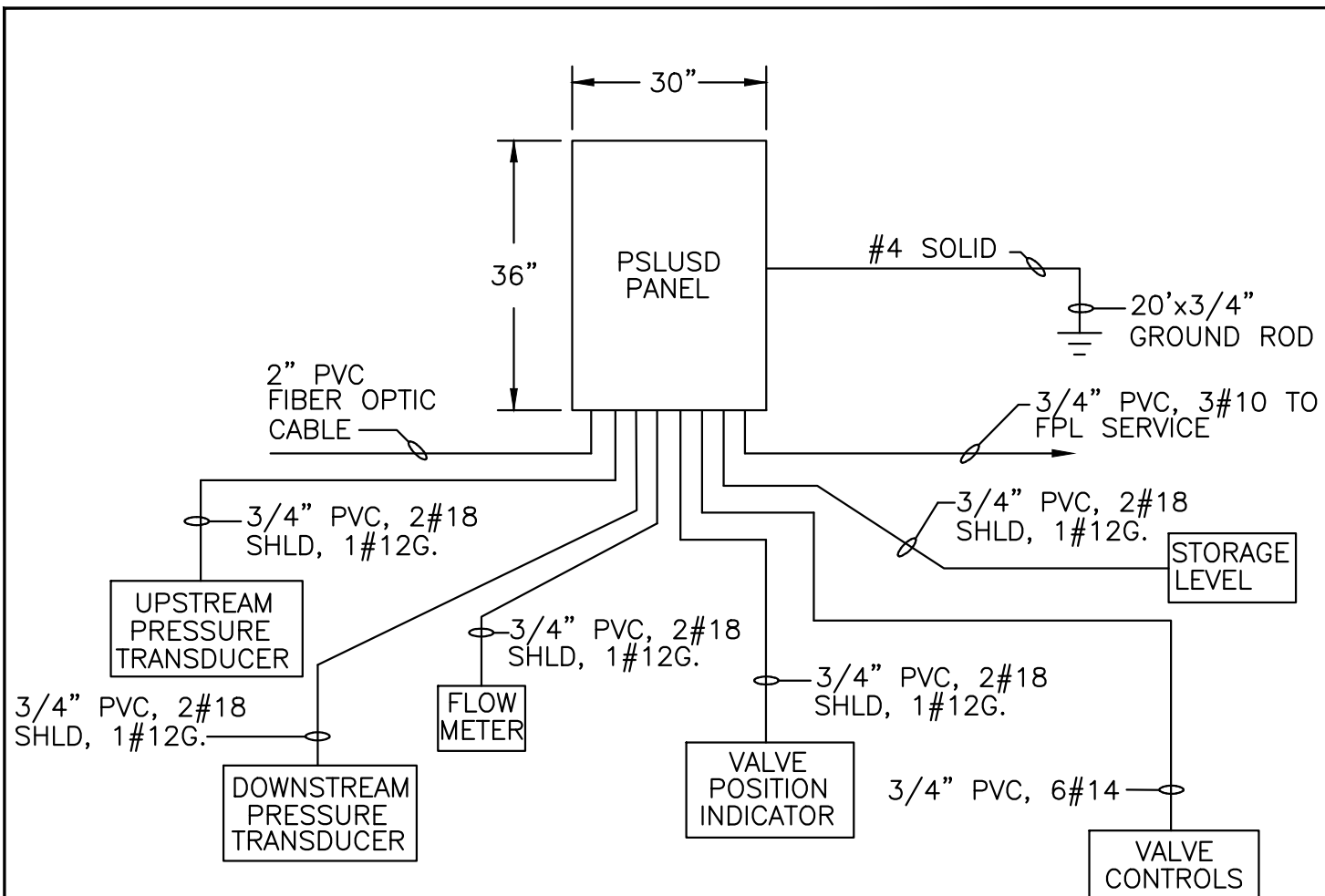
NOTE:

- PLEASE REFER TO WRITTEN SPECIFICATIONS FOR ADDITIONAL REQUIREMENTS.

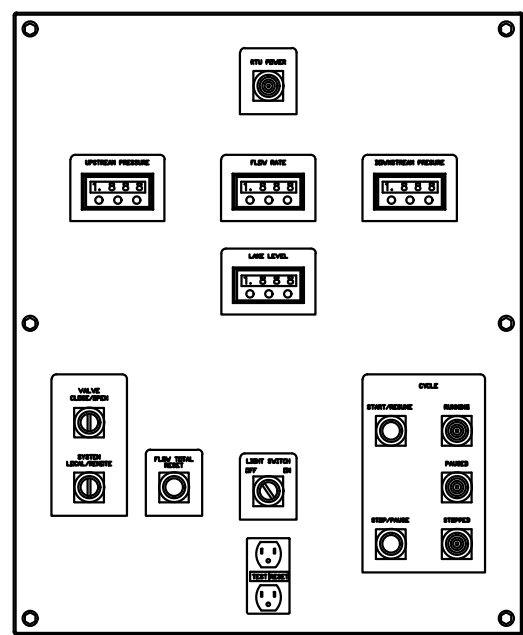
	MINIMUM CONSTRUCTION STANDARDS FOR CITY OF PORT ST. LUCIE 900 S.E. OGDEN LANE PORT ST. LUCIE, FL 34983 PHONE (772) 873-6400 FAX (772) 873-6433
	RECLAIMED WATER
	I/O SCHEMATIC
	DETAIL: RW-02
	DATE: 2019
SCALE: N.T.S.	
SHEET: 1 OF 1	

**RECLAIMED WATER
I/O SCHEMATIC**

DETAIL: RW-02
DATE: 2019
SCALE: N.T.S.
SHEET: 1 OF 1



CONDUIT SCHEMATIC



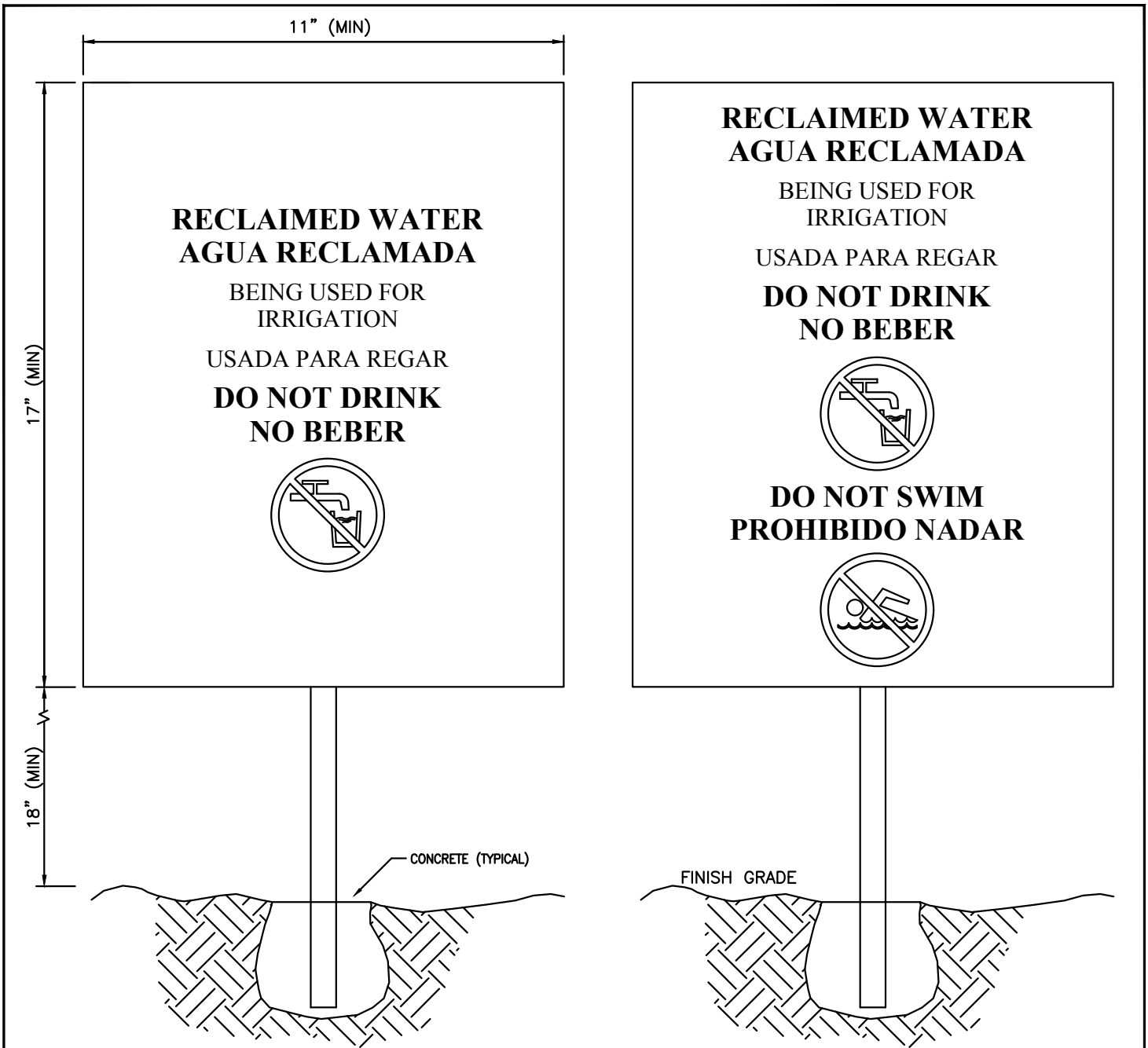
CONTROL PANEL DEAD FRONT LAYOUT



MINIMUM CONSTRUCTION STANDARDS FOR
 CITY OF PORT ST. LUCIE
 900 S.E. OGDEN LANE
 PORT ST. LUCIE, FL 34983
 PHONE (772) 873-6400 FAX (772) 873-6433

**RECLAIMED WATER CONDUIT
 AND
 PANEL SCHEMATIC**

DETAIL: RW-03
DATE: 2019
SCALE: N.T.S.
SHEET: 1 OF 1



NOTES:

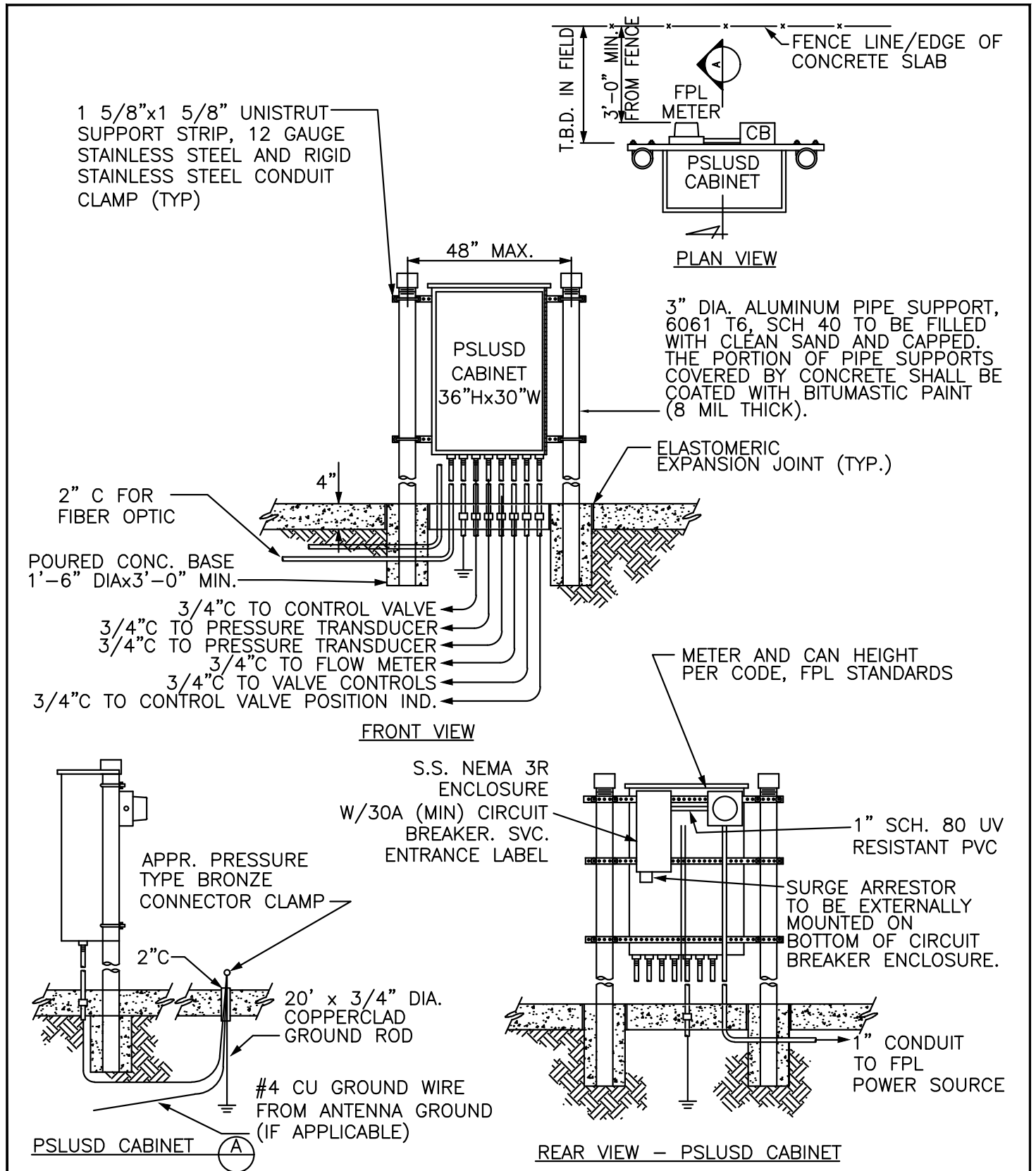
1. SIGNS SHALL BE PLACED AS REQUIRED UNDER THE PROVISIONS OF PERMIT ISSUED BY FDEP. THE ABOVE SIGNS SHALL BE USED WHEN REQUIRED BY FDEP AND/OR PSLUSD.
2. MOUNT SIGN TO STANDARD U-CHANNEL SIGN POST WITH STAINLESS STEEL HARDWARE.
3. SIGN SHALL BE .080 GAUGE ALUMINIUM WITH VINYL COATING.
4. THE LETTERS SHALL BE BLACK AGAINST A WHITE BACKGROUND, OTHER COLORS MAY BE USED WITH PRIOR APPROVAL OF PSLUSD.



**MINIMUM CONSTRUCTION STANDARDS FOR
CITY OF PORT ST. LUCIE**
 900 S.E. OGDEN LANE
 PORT ST. LUCIE, FL 34983
 PHONE (772) 873-6400 FAX (772) 873-6433

**RECLAIMED WATER
SITE SIGNAGE**

DETAIL: RW-04
DATE: 2019
SCALE: N.T.S.
SHEET: 1 OF 1



NOTE:

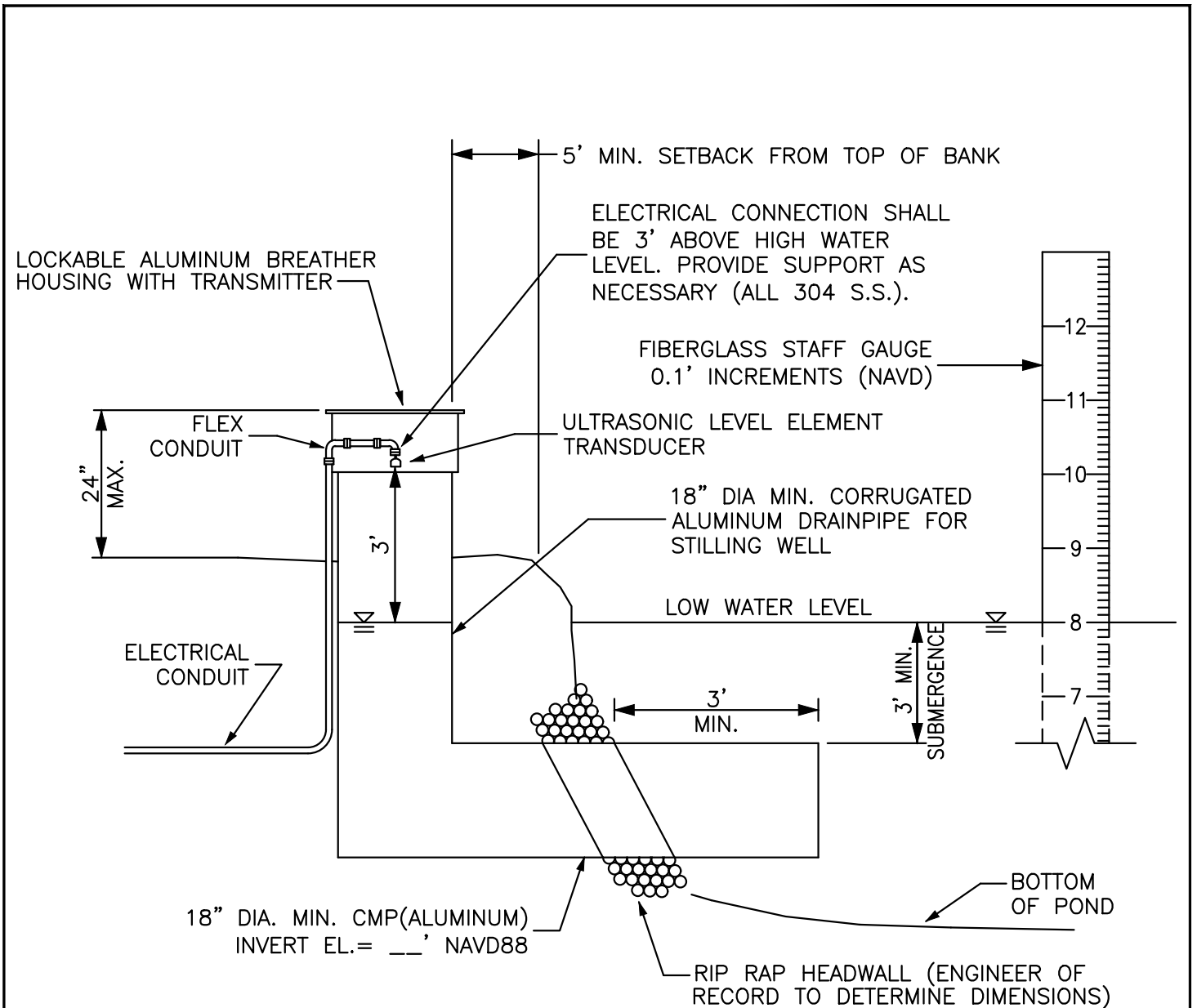
1. ALL UNDERGROUND CONDUIT MIN. 18" DEPTH.



MINIMUM CONSTRUCTION STANDARDS FOR CITY OF PORT ST. LUCIE
 900 S.E. OGDEN LANE
 PORT ST. LUCIE, FL 34983
 PHONE (772) 873-6400 FAX (772) 873-6433

RECLAIMED WATER METERING FACILITY

DETAIL: RW-05
DATE: 2019
SCALE: N.T.S.
SHEET: 1 OF 1



NOTE: PLEASE REFER TO WRITTEN SPECIFICATIONS FOR ADDITIONAL REQUIREMENTS

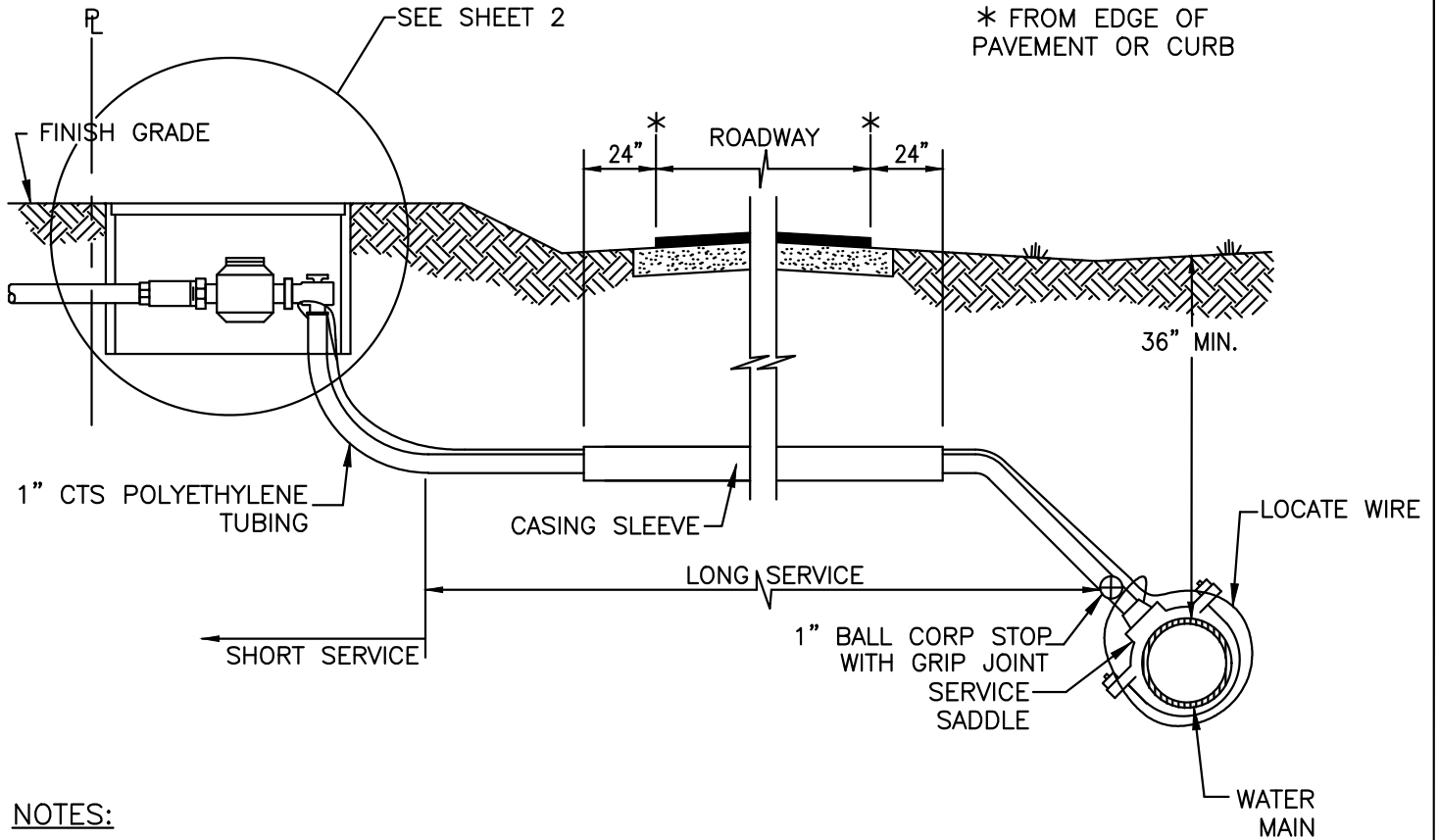
1. THIS DETAIL IS FOR A STILLING WELL AND STAFF GAUGE IN A RECLAIMED WATER STORAGE POND. THE ENGINEER-OF-RECORD SHALL SUBMIT DRAWING DETAILS FOR A STILLING WELL AND LEVEL INDICATOR IN A STORAGE TANK TO THE PSLUSD FOR APPROVAL PRIOR TO INSTALLATION.



**MINIMUM CONSTRUCTION STANDARDS FOR
CITY OF PORT ST. LUCIE**
900 S.E. OGDEN LANE
PORT ST. LUCIE, FL 34983
PHONE (772) 873-6400 FAX (772) 873-6433

RECLAIMED WATER STILLING WELL

DETAIL: RW-06
DATE: 2019
SCALE: N.T.S.
SHEET: 1 OF 1



NOTES:

1. SUCCESSIVE TAPS INTO THE WATER MAIN SHALL BE A MINIMUM OF 18" ON CENTER.
2. ALL SERVICES REQUIRE 36" MINIMUM COVER AT ALL POINTS ALONG SERVICE.
3. 1"Ø SERVICES REQUIRE A 2" MINIMUM I.D. CASING PIPE. CASING PIPE SHALL BE SCHEDULE 40 PVC OR POLYETHYLENE.
4. TRACE WIRE TO BE INSTALLED AS PER THIS DETAIL.
5. METERS SHALL BE LOCATED IMMEDIATELY OUTSIDE THE PROPERTY LINE IN THE RIGHT-OF-WAY UNLESS OTHERWISE DIRECTED BY PSLUSD (SEE SHEET 2).



**MINIMUM CONSTRUCTION STANDARDS FOR
CITY OF PORT ST. LUCIE
900 S.E. OGDEN LANE
PORT ST. LUCIE, FL 34983
PHONE (772) 873-6400 FAX (772) 873-6433**

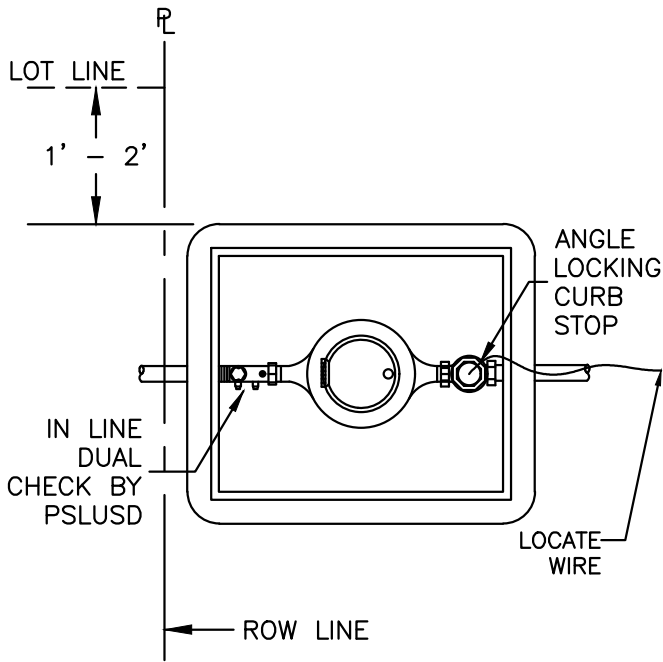
**RESIDENTIAL WATER
SERVICE CONNECTION**

DETAIL: W-01

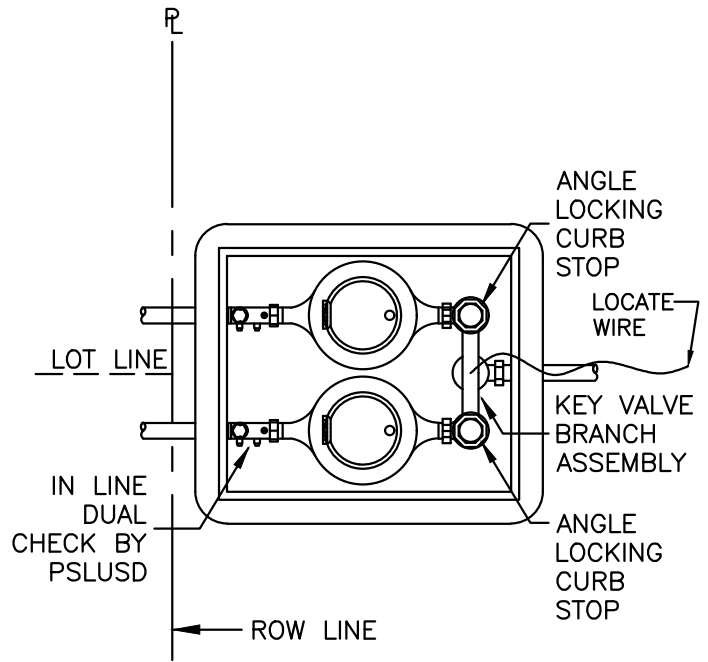
DATE: 2019

SCALE: N.T.S.

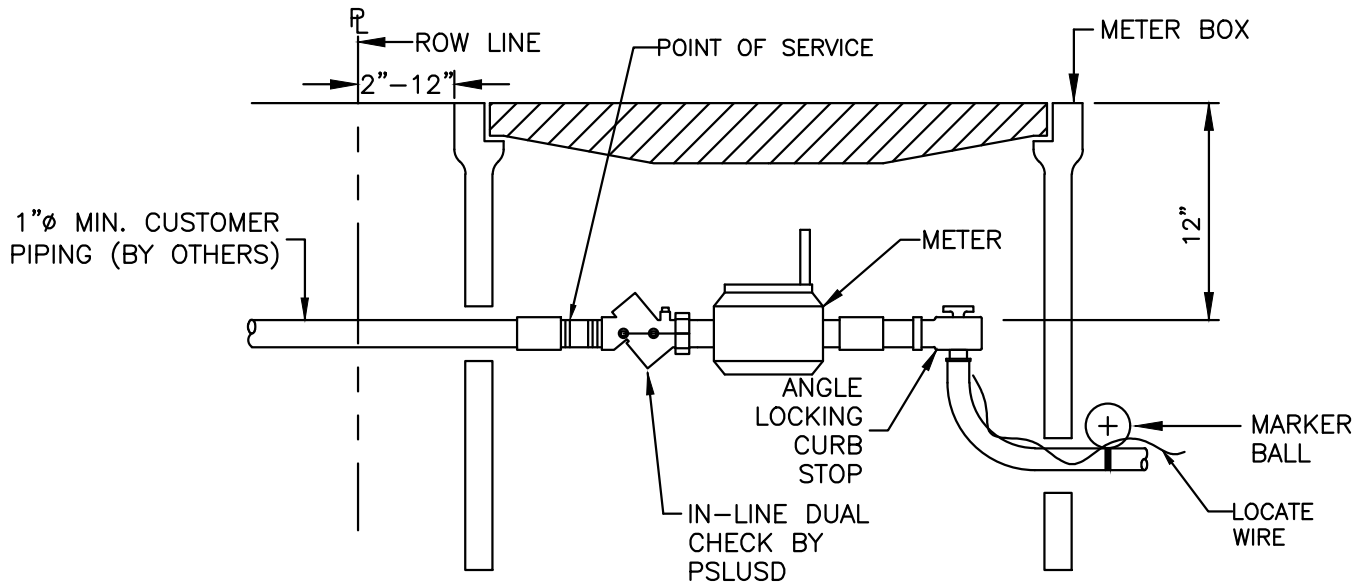
SHEET: 1 OF 2



SINGLE SERVICE



DOUBLE SERVICE



NOTES:

1. METER SHALL BE INSTALLED BY PSLUSD.
2. LOCATE MARKER BALL WITH TIE STRAPS ARE TO BE PLACED AS SHOWN.
3. A KEY VALVE BRANCH ASSEMBLY SHALL BE PROVIDED BY CONTRACTOR FOR DOUBLE SERVICES.



**MINIMUM CONSTRUCTION STANDARDS FOR
CITY OF PORT ST. LUCIE
900 S.E. OGDEN LANE
PORT ST. LUCIE, FL 34983
PHONE (772) 873-6400 FAX (772) 873-6433**

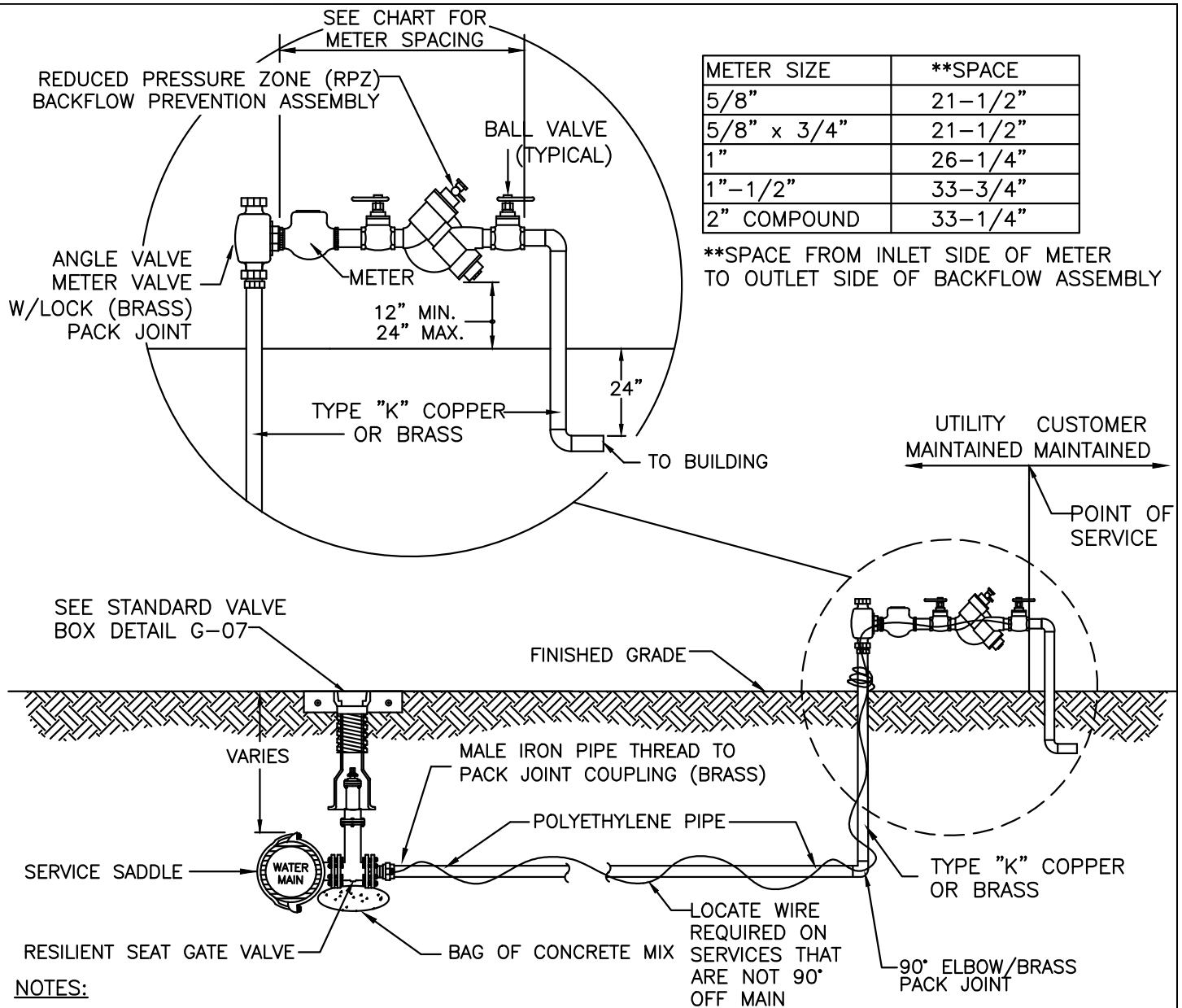
**RESIDENTIAL WATER
SERVICE CONNECTION**

DETAIL: W-01

DATE: 2019

SCALE: N.T.S.

SHEET: 2 OF 2

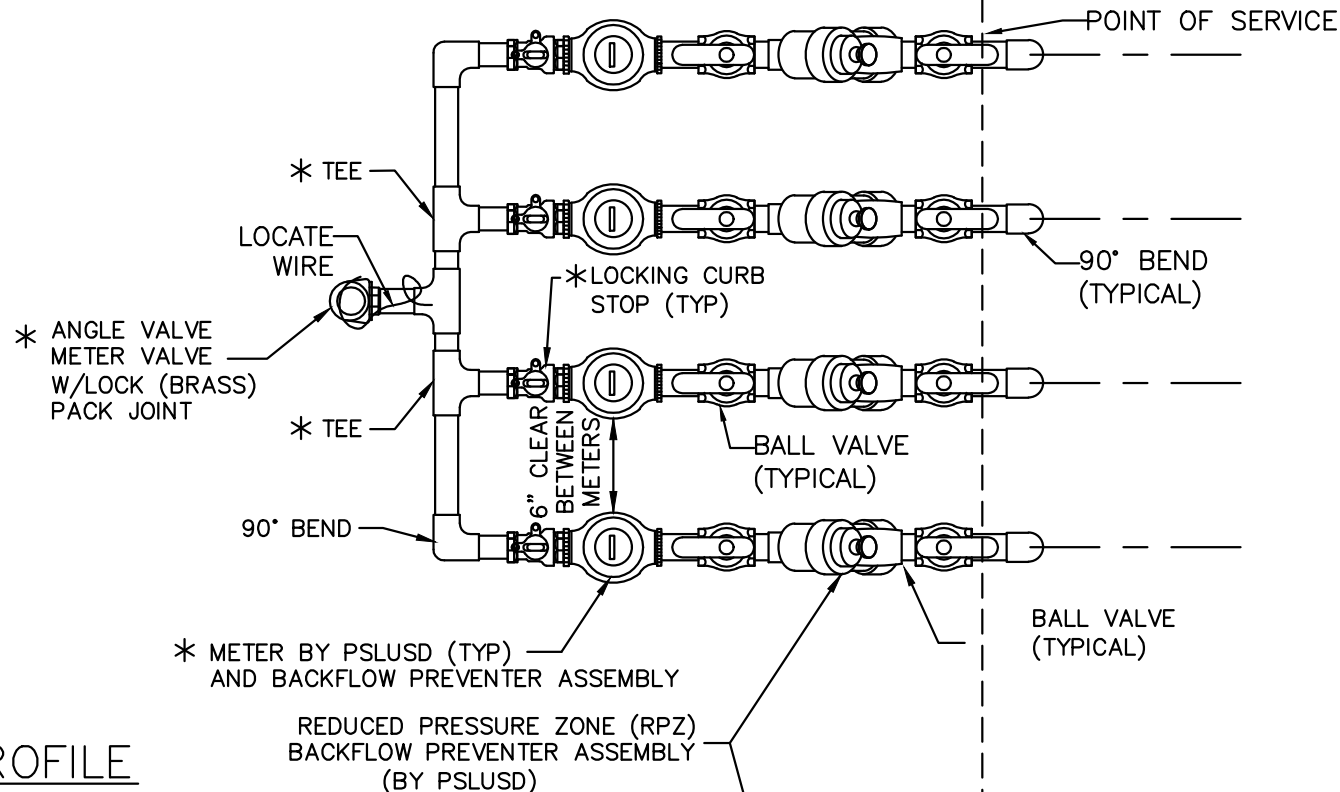


NOTES:

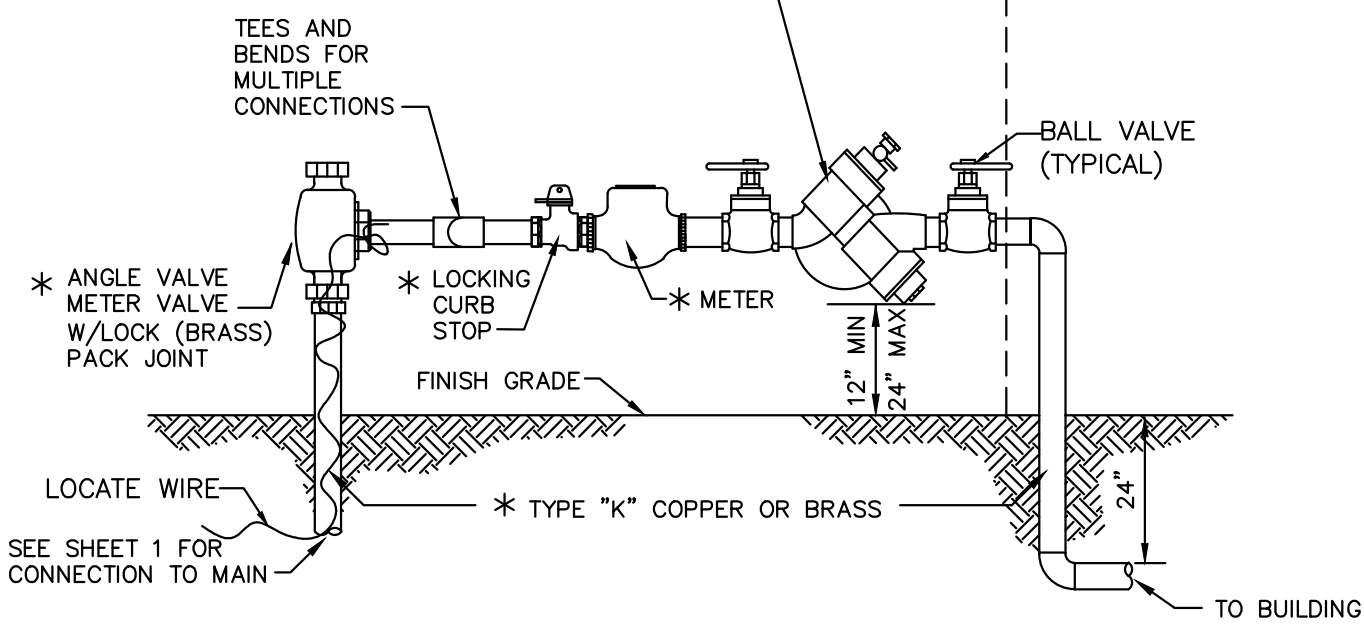
1. THE ENGINEER-OF-RECORD SHALL SIZE THE PIPE, FITTINGS, VALVES AND APPURTENANCES; THE MINIMUM SHALL BE 2" UP TO THE ANGLE VALVE. METER SIZE CALCULATIONS TO BE SUBMITTED BASED ON AWWA RECOMMENDATIONS (MANUAL M-22)
2. BOTH RISERS SHALL BE BRASS OR TYPE "K" COPPER TUBING (HARD DRAWN) WITH COPPER/BRASS THREADED FITTINGS AND ADAPTERS.
3. ADDITIONAL SUPPORT SHALL BE PROVIDED AS NECESSARY TO SECURELY SUPPORT THE BACK FLOW PREVENTION ASSEMBLY.
4. VALVE, SADDLE AND APPURTENANCES SHALL BE PER THE QUALIFIED PRODUCTS LIST.
5. METERS AND BACKFLOW PREVENTERS 2" OR SMALLER SHALL BE INSTALLED BY PSLUSD. SEE SHEET 2 FOR MULTI-SERVICE METER BANK ASSEMBLY.
6. AT THE DIRECTION OF THE PSLUSD, BOLLARDS MAY BE REQUIRED TO PREVENT DAMAGE FROM ACCIDENTS. REFER TO DETAIL G-15 FOR BOLLARD INSTALLATION.

PLAN

UTILITY MAINTAINED | CUSTOMER MAINTAINED



PROFILE



* ENGINEER-OF-RECORD TO CALCULATE PIPE AND FITTING SIZES TO ACCOMMODATE NUMBER OF & SIZE OF METER PROPOSED. THE NUMBER OF METERS SHALL BE A MAXIMUM OF 4 AND THE MINIMUM SIZE SERVICE SHALL BE 2".

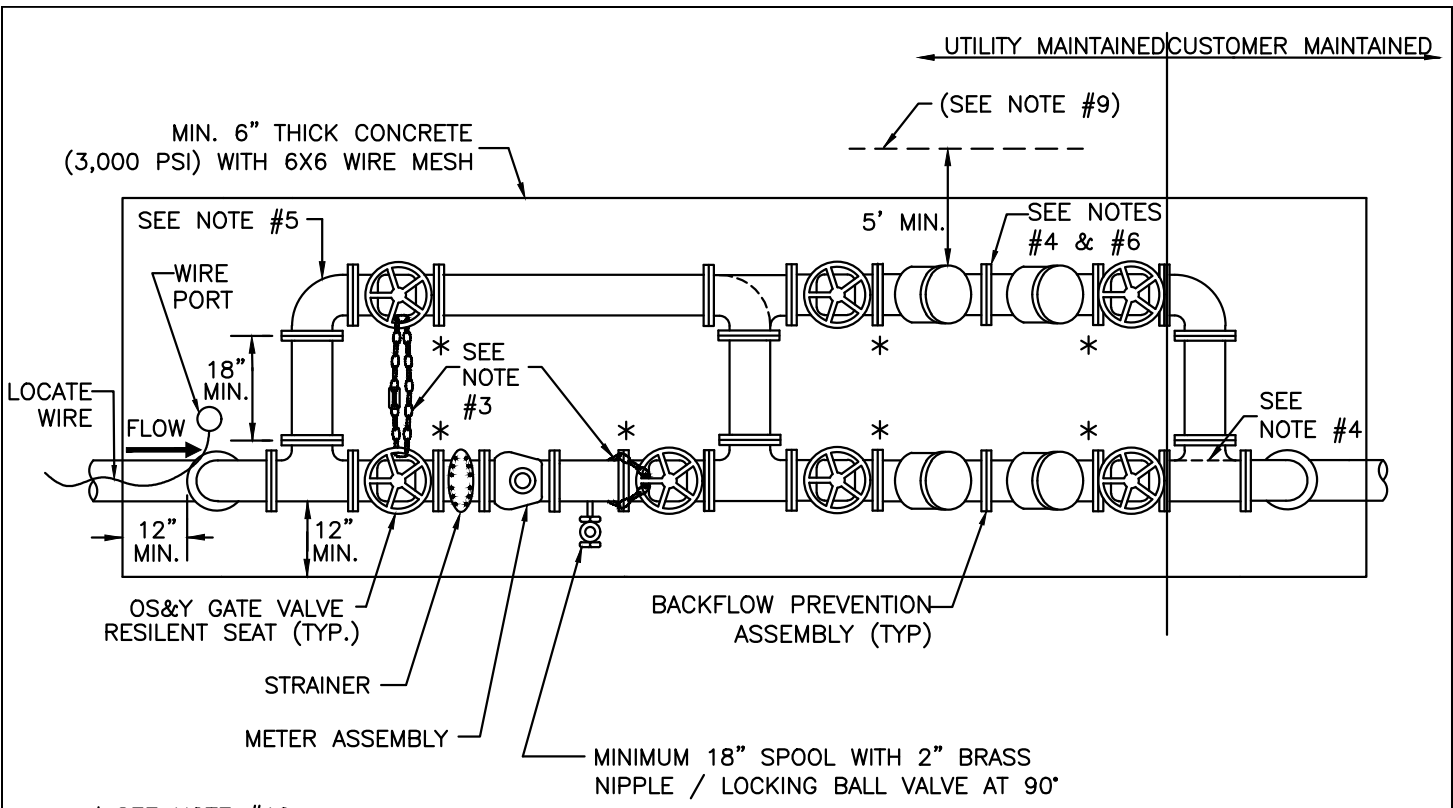
NOTES: SEE SHEET 1



**MINIMUM CONSTRUCTION STANDARDS FOR
CITY OF PORT ST. LUCIE**
900 S.E. OGDEN LANE
PORT ST. LUCIE, FL 34983
PHONE (772) 873-6400 FAX (772) 873-6433

**COMMERCIAL MUTIL-SERVICE
METER BANK ASSEMBLY**

DETAIL: W-02
DATE: 2019
SCALE: N.T.S.
SHEET: 2 OF 2




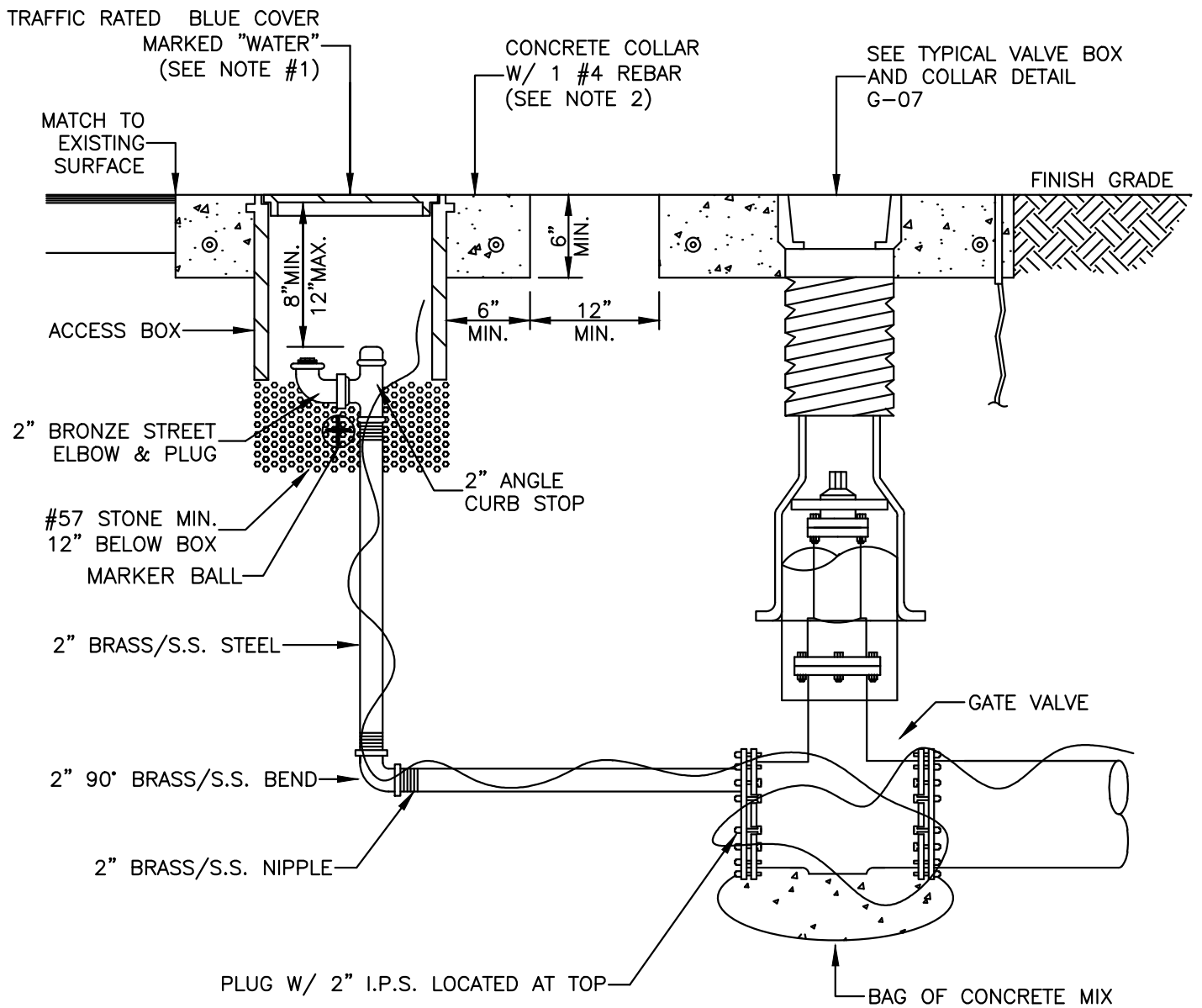
* SEE NOTE #10

PLAN VIEW

NOTES:

1. ALL PIPE AND FITTINGS SHALL BE CLASS 53 DUCTILE IRON.
2. ALL UNDERGROUND FITTINGS SHALL BE RESTRAINED MECHANICAL JOINT TYPE & ALL ABOVE GROUND FITTINGS SHALL BE FLANGE JOINTS, FULL FACE NEOPRENE GASKETS WITH STAINLESS STEEL BOLTS.
3. STAINLESS STEEL CHAINS (1/4" MIN.) & LOCKS FOR THE VALVES SHALL BE PROVIDED AS REQUIRED BY THE PSLUSD.
4. A BACKFLOW PREVENTION ASSEMBLY MAY NOT BE REQUIRED ON THE BY-PASS LINE IF THE CUSTOMER SUBMITS A WRITTEN REQUEST TO THE PSLUSD FOR APPROVAL; IF APPROVED, AN ELBOW SHALL BE USED INSTEAD OF THE TEE AND A REVISED DETAIL SHALL BE SUBMITTED TO THE PSLUSD.
5. METER BY-PASS LINE SHALL BE THE SAME SIZE AS SUPPLY TO METER.
6. BACKFLOW PREVENTION ASSEMBLY ON THE BY-PASS LINE SHALL BE SAME SIZE AND TYPE AS THE MAIN BACKFLOW PREVENTION ASEMBLY.
7. THE ENGINEER-OF-RECORD SHALL SIZE METER AND BACKFLOW PREVENTION ASSEMBLY, TAKING INTO CONSIDERATION THE TYPICAL HEAD LOSS FOR EACH.
8. 12" MIN. / 24" MAX. CLEARANCE IS REQUIRED FROM THE TOP OF THE CONCRETE PAD TO THE BOTTOM OF THE RELIEF VALVE.
9. A 5' MIN. CLEAR ZONE SHALL BE LOCATED ON ALL SIDES OF THE BACKFLOW PREVENTION ASSEMBLIES.
10. STAINLESS STEEL ADJUSTABLE PIPE SUPPORTS SHALL BE PROVIDED FOR SUPPORT UNDER EACH GATE VALVE AND ANCHORED IN THE CONCRETE PAD.
11. AT THE DIRECTION OF THE PSLUSD, BOLLARDS MAY BE REQUIRED TO PREVENT DAMAGE FROM ACCIDENTS. REFER TO DETAIL G-15 FOR BOLLARD INSTALLATION.
12. A BRASS PLUG SHALL BE INSTALLED IN ALL TEST PORTS.

 <p>MINIMUM CONSTRUCTION STANDARDS FOR CITY OF PORT ST. LUCIE 900 S.E. OGDEN LANE PORT ST. LUCIE, FL 34983 PHONE (772) 873-6400 FAX (772) 873-6433</p>	<p>METER AND BACKFLOW PREVENTION ASSEMBLY FOR 3" AND LARGER SERVICES</p>	DETAIL: W-03
		DATE: 2019
		SCALE: N.T.S.
		SHEET: 1 OF 1



NOTES:

1. COVER SHALL BE PAINTED BLUE FOR "WATER".
2. NO CONCRETE COLLAR IF LOCATED IN ASPHALT OR CONCRETE.
3. LOCATE WIRE NOT REQUIRED IF SEPARATION BETWEEN THE VALVE BOX AND ACCESS BOX IS 6' OR LESS.



**MINIMUM CONSTRUCTION STANDARDS FOR
CITY OF PORT ST. LUCIE
900 S.E. OGDEN LANE
PORT ST. LUCIE, FL 34983
PHONE (772) 873-6400 FAX (772) 873-6433**

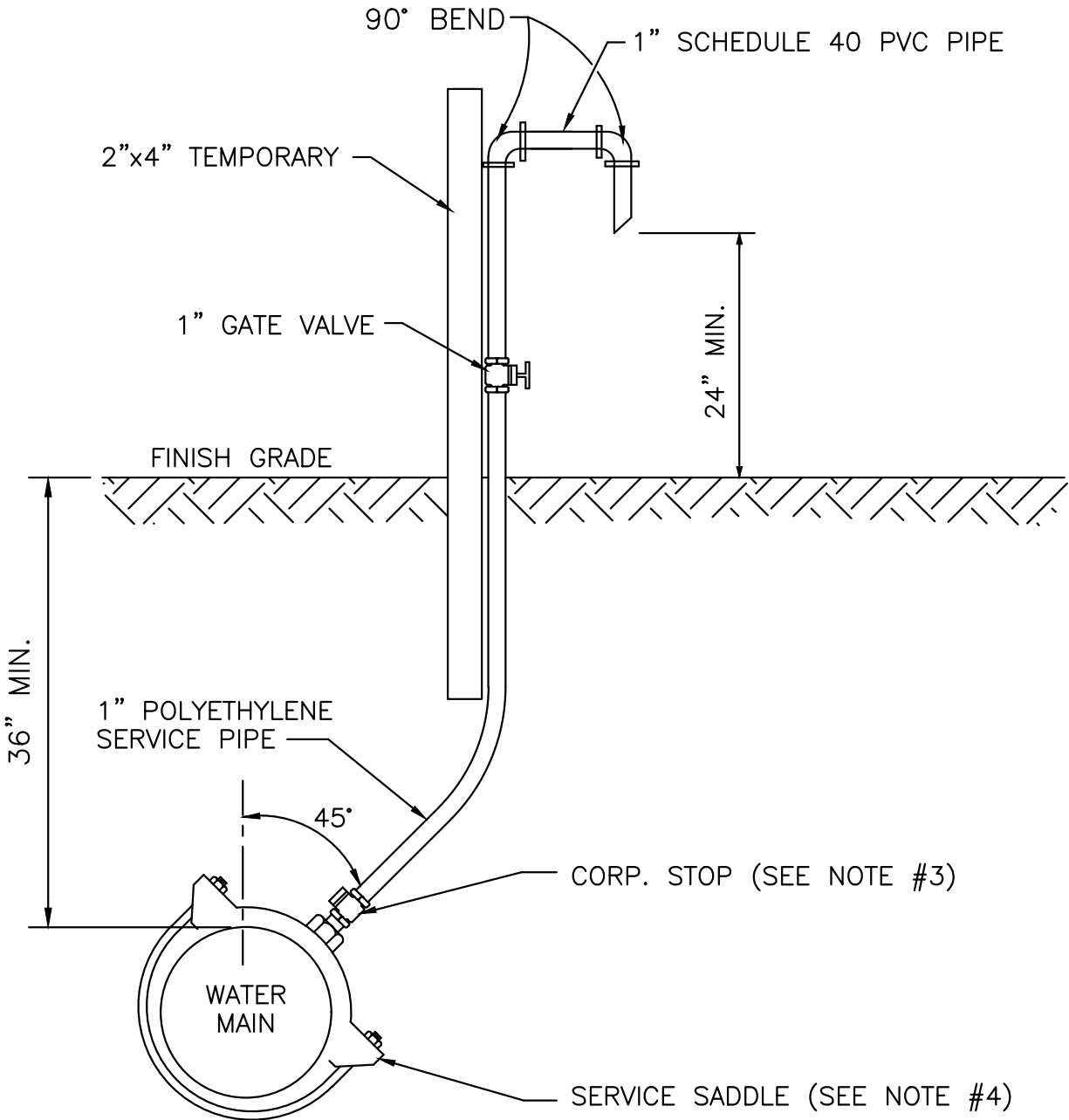
BLOW-OFF ASSEMBLY

DETAIL: W-04

DATE: 2019

SCALE: N.T.S.

SHEET: 1 OF 1



NOTES:

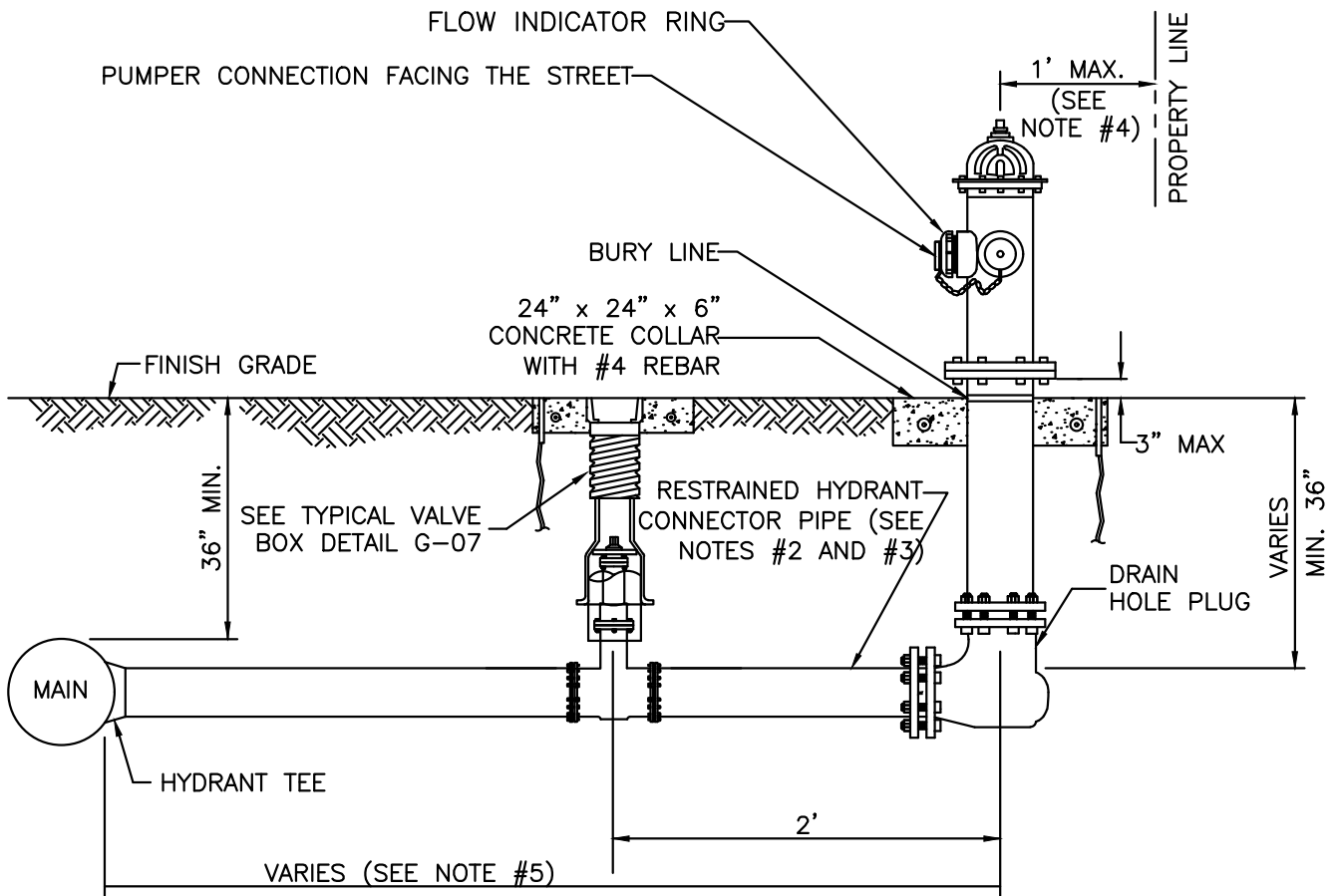
1. SAMPLING POINTS SHALL BE LOCATED AS SHOWN ON PLANS APPROVED BY PSLUSD AND AS REQUIRED BY FLORIDA DEPARTMENT OF ENVIRONMENTAL PROTECTION. A SAMPLE POINT MAP (SINGLE SHEET PDF) SHALL BE SUBMITTED TO PSLUSD FOR REVIEW PRIOR TO DISINFECTION.
2. THE EXCAVATED HOLE FOR THIS INSTALLATION SHALL BE BACKFILLED TO FINISHED GRADE PRIOR TO DISCHARGING ANY WATER ON THE GROUND.
3. AFTER BACTERIOLOGICAL CLEARANCE IS RECEIVED, THE CONTRACTOR SHALL TURN CORPORATION STOP OFF, REMOVE TUBING AND PLUG CORPORATION STOP WITH BRASS PLUG/CAP.
4. NO DIRECT TAPS SHALL BE PERMITTED.



**MINIMUM CONSTRUCTION STANDARDS FOR
CITY OF PORT ST. LUCIE
900 S.E. OGDEN LANE
PORT ST. LUCIE, FL 34983
PHONE (772) 873-6400 FAX (772) 873-6433**

WATER SAMPLING POINT

DETAIL: W-05
DATE: 2019
SCALE: N.T.S.
SHEET: 1 OF 1



NOTES:

1. HYDRANTS SHALL BE INSTALLED IN ACCORDANCE WITH ANSI/AWWA C600. THE HYDRANTS SHALL BE PAINTED BY THE MANUFACTURER WITH 2 COATS (MIN.).
2. VERTICAL BENDS MAY BE NECESSARY TO OBTAIN COVER UNDER SWALES OR AT HYDRANT LOCATION. VERTICAL BENDS OR OFFSETS ARE INCLUDED IN HYDRANT ASSEMBLY. ALL BENDS MUST BE RESTRAINED.
3. CONNECTOR PIPE AND ANY REQUIRED VERTICAL BENDS SHALL HAVE AN ANCHORING FEATURE ON BOTH ENDS SO THAT WHEN USED WITH M.J. SPLIT GLANDS, A RESTRAINED JOINT IS PROVIDED.
4. WHEN INSTALLED WITH SIDEWALK OR CURB, PROVIDE MIN. 2 FOOT CLEARANCE TO ANY PORTION OF THE HYDRANT, UTILIZING THE SIDE LOT EASEMENT IF NECESSARY.
5. A GATE VALVE SHALL BE INSTALLED WITHIN 2 FEET OF THE FIRE HYDRANT. IF DISTANCE FROM THE WATER MAIN TO THE FIRE HYDRANT IS GREATER THAN 20 FEET, A SECOND GATE VALVE SHALL BE INSTALLED WITHIN 2 FEET OF THE MAIN.
6. ANY DEVIATIONS FROM THE CRITERIA ABOVE REQUIRE A WRITTEN RECOMMENDATION FROM THE ENGINEER-OF-RECORD AND WRITTEN APPROVAL BY PSLUSD.



**MINIMUM CONSTRUCTION STANDARDS FOR
CITY OF PORT ST. LUCIE**
900 S.E. OGDEN LANE
PORT ST. LUCIE, FL 34983
PHONE (772) 873-6400 FAX (772) 873-6433

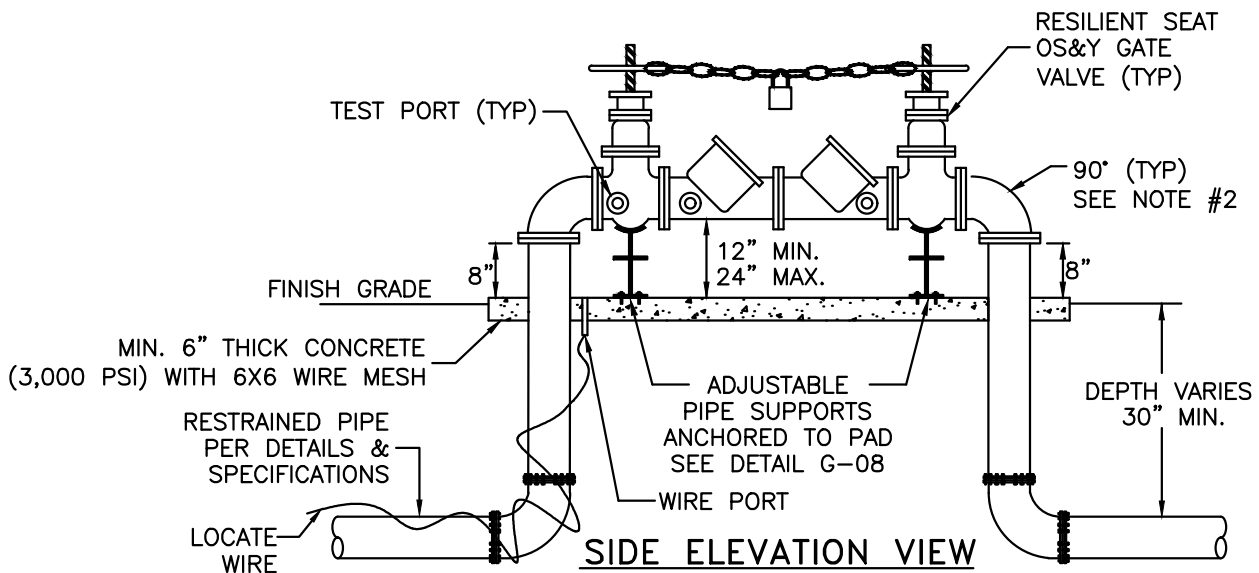
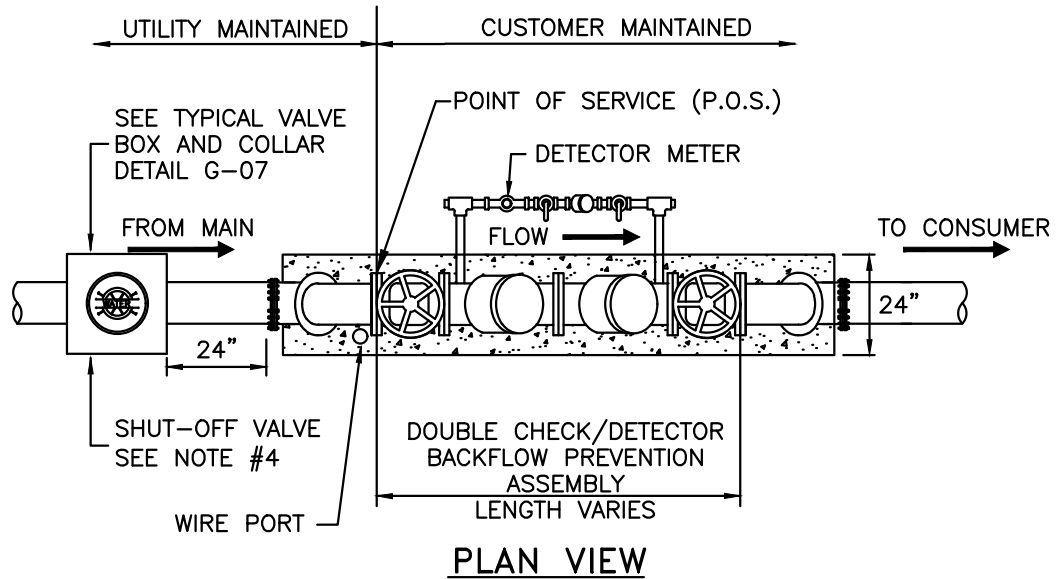
FIRE HYDRANT ASSEMBLY

DETAIL: W-06

DATE: 2019

SCALE: N.T.S.

SHEET: 1 OF 1



NOTES:

1. ALL PIPE AND FITTINGS SHALL BE CLASS 53 DUCTILE IRON INCLUDING AND IN BETWEEN BURIED ELBOWS.
2. ALL UNDERGROUND FITTINGS SHALL BE RESTRAINED MECHANICAL JOINT TYPE & ALL ABOVE GROUND FITTINGS SHALL BE FLANGE JOINTS WITH FULL FACE NEOPRENE GASKETS, WITH STAINLESS STEEL BOLTS.
3. A 3/8" STAINLESS STEEL CHAIN & LOCK SHALL BE PROVIDED BY CONTRACTOR FOR THE VALVES AS REQUIRED BY THE PSLUSD. VALVES TO BE LOCKED IN OPEN POSITION.
4. TO MAINTAIN CONTINUITY OF SERVICE DURING REPAIRS TO THE ASSEMBLY, AN ISOLATION VALVE SHALL BE PROVIDED ON THE UTILITY'S MAIN AS SHOWN.
5. AT THE DIRECTION OF THE PSLUSD, BOLLARDS MAY BE REQUIRED TO PREVENT DAMAGE FROM ACCIDENTS. REFER TO DETAIL G-15 FOR BOLLARD INSTALLATION.
6. A BRASS PLUG SHALL BE INSTALLED IN ALL TEST PORTS.



**MINIMUM CONSTRUCTION STANDARDS FOR
CITY OF PORT ST. LUCIE
900 S.E. OGDEN LANE
PORT ST. LUCIE, FL 34983
PHONE (772) 873-6400 FAX (772) 873-6433**

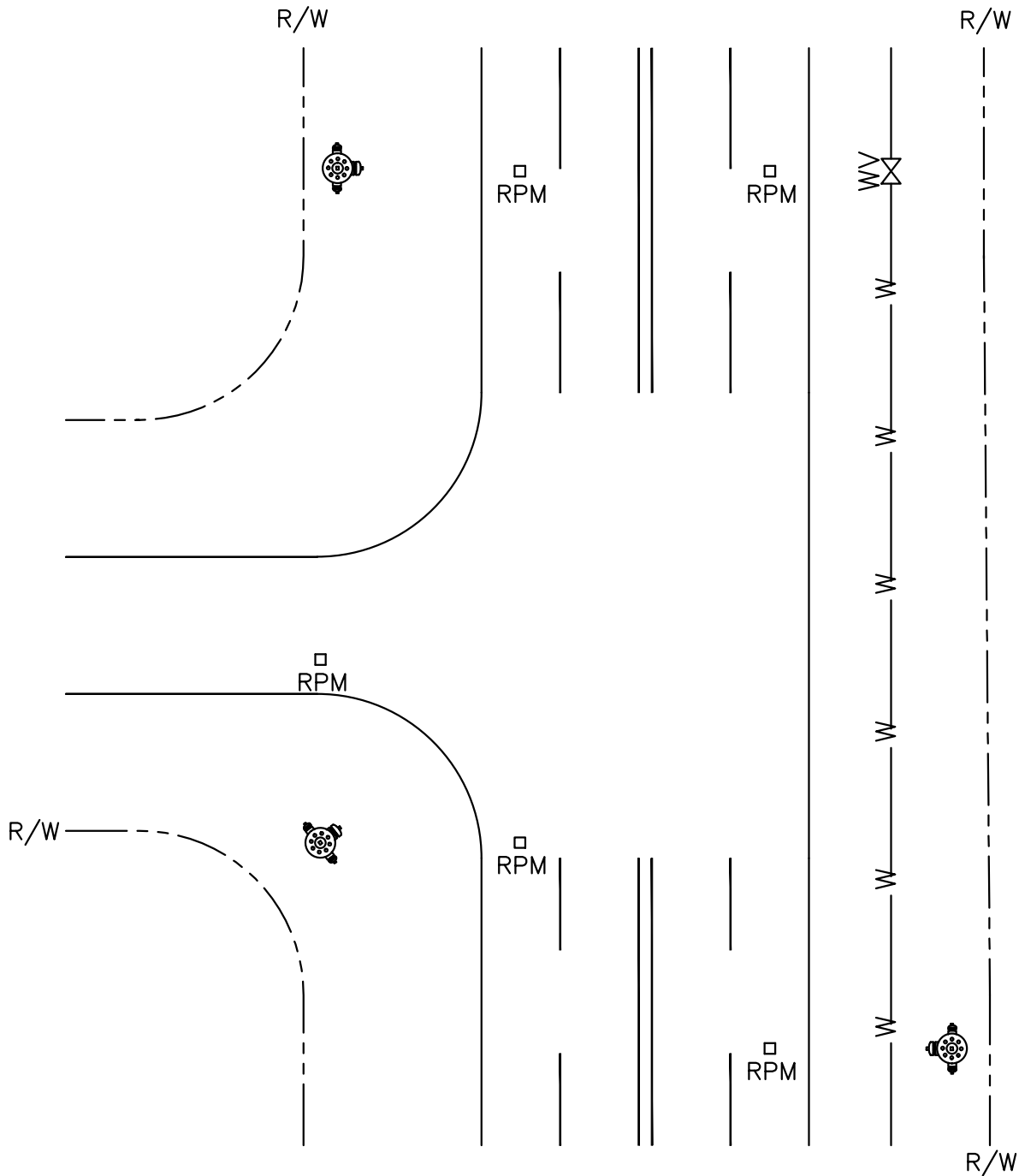
**FIRE SERVICE
BACKFLOW ASSEMBLY**

DETAIL: W-07

DATE: 2019

SCALE: N.T.S.

SHEET: 1 OF 1



NOTES:

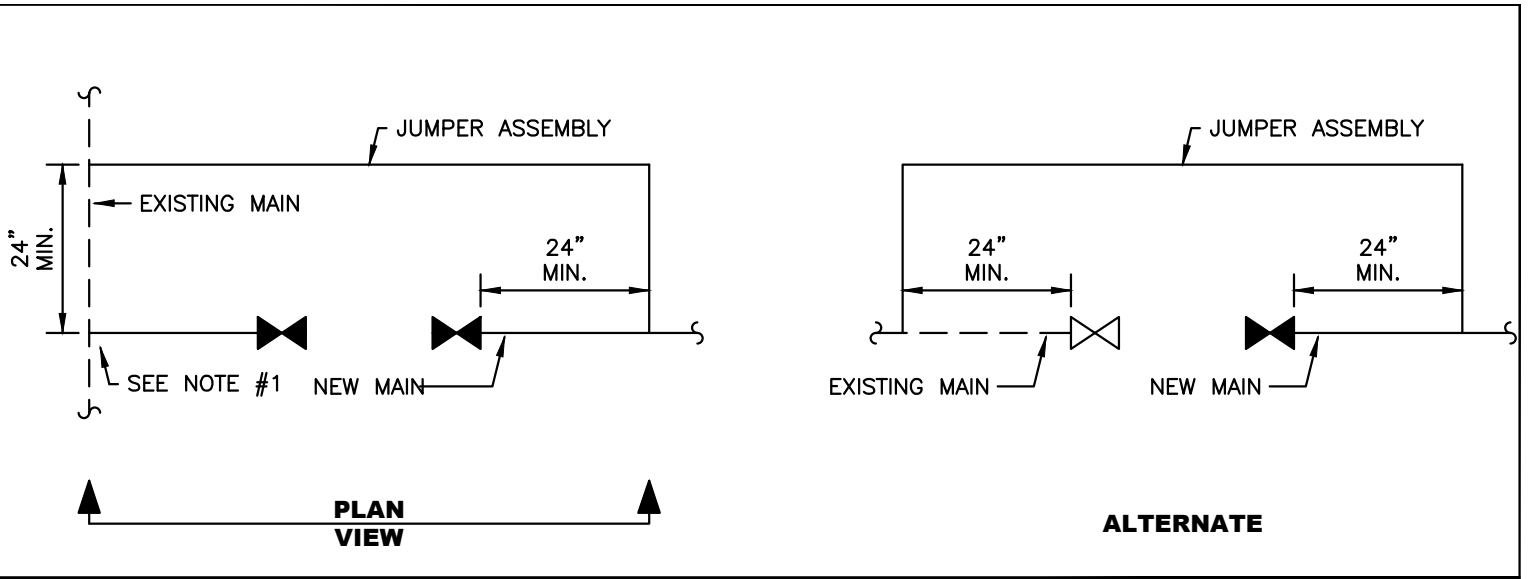
1. MARKER COLOR IS BLUE. PLACE IN CENTER OF THE LANE CLOSEST TO THE HYDRANT.
2. IF HYDRANT IS LOCATED WITHIN THE RADIUS OF AN INTERSECTION PLACE A MARKER ON EACH ROADWAY IN THE CENTER LANES CLOSEST TO THE HYDRANT.
3. MARKER IS PLACED PERPENDICULAR (90 DEGREES) TO THE HYDRANT.



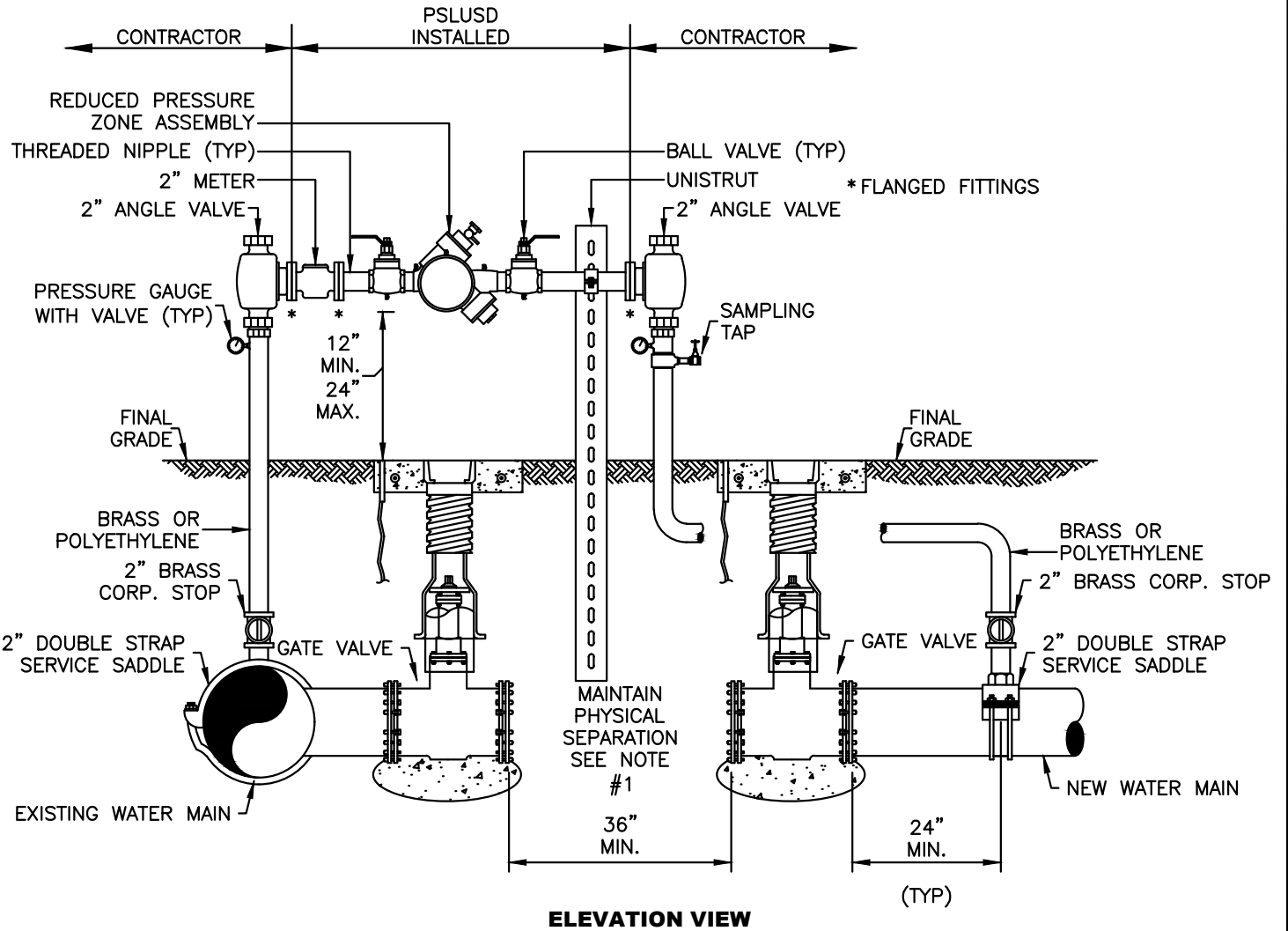
**MINIMUM CONSTRUCTION STANDARDS FOR
CITY OF PORT ST. LUCIE**
 900 S.E. OGDEN LANE
 PORT ST. LUCIE, FL 34983
 PHONE (772) 873-6400 FAX (772) 873-6433

**FIRE HYDRANT
REFLECTIVE PAVEMENT MARKER
PLACEMENT GUIDELINE**

DETAIL: W-08
DATE: 2019
SCALE: N.T.S.
SHEET: 1 OF 1



ALL PIPES AND APPURTENANCES TO BE 2" FOR NEW MAINS UP TO 8"
 FOR MAINS OVER 8", ALL PIPES AND APPURTENANCES TO BE SIZED
 AND DESIGNED BY THE ENGINEER OF RECORD.



**MINIMUM CONSTRUCTION STANDARDS FOR
 CITY OF PORT ST. LUCIE**
 900 S.E. OGDEN LANE
 PORT ST. LUCIE, FL 34983
 PHONE (772) 873-6400 FAX (772) 873-6433

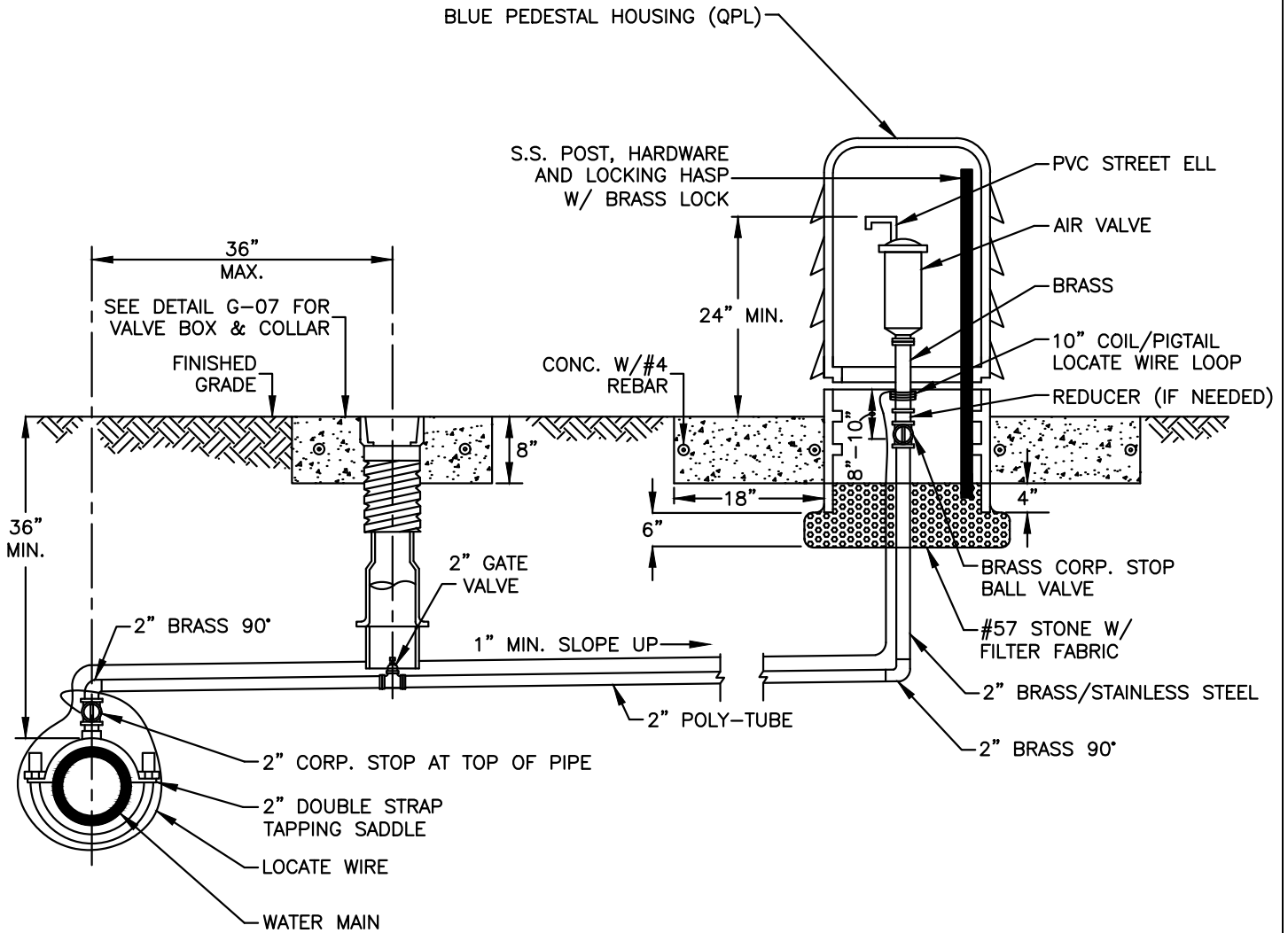
**TEMPORARY JUMPER
 CONNECTION
 (UP TO 8" PIPE)**

DETAIL: W-09
DATE: 2019
SCALE: N.T.S.
SHEET: 1 OF 2

NOTES:

1. A TEMPORARY JUMPER CONNECTION IS REQUIRED AT ALL CONNECTIONS BETWEEN EXISTING ACTIVE PSLUSD WATER MAINS AND PROPOSED NEW WATER MAINS. A PHYSICAL SEPARATION SHALL BE MAINTAINED, EXCEPT AS NOTED IN #5 BELOW. THE PROCEDURES ARE APPLICABLE WHEN CONNECTING TO AN EXISTING PSLUSD WATER MAIN, WHETHER BY TAPPING TEE AND VALVE OR BY CONTINUATION OF A PLUGGED STUB OUT WITH AN EXISTING GATE VALVE.
2. THE CONTRACTOR SHALL CONTACT THE PSLUSD REGARDING SCHEDULING OF REQUIRED INSPECTIONS RELATING TO THE CONNECTION. PSLUSD INSPECTIONS ARE SPECIFICALLY REQUIRED FOR TIE-INS OR WET TAPS TO EXISTING WATER MAINS, JUMPER INSTALLATION, FLUSHING, PRESSURE TESTING, DISINFECTION, SAMPLING, PLUGGING OF SAMPLING POINTS AND PERMANENT CONNECTION OF THE NEW WATER MAIN. THE CONTRACTOR SHALL FOLLOW ALL PROCEDURES STRICTLY IN ACCORDANCE WITH THE PSLUSD UTILITY STANDARDS MANUAL.
3. THE TEMPORARY JUMPER ASSEMBLY (FLANGE TO FLANGE) WILL BE SUPPLIED, INSTALLED AND TESTED BY THE PSLUSD, IN COORDINATION WITH THE ENGINEER OF RECORD AND CONTRACTOR. OTHER MATERIALS AND INSTALLATION REQUIRED FOR THE CONNECTION ARE THE RESPONSIBILITY OF THE CONTRACTOR. THE UNDERGROUND FITTINGS SHALL BE RESTRAINED MECHANICAL JOINT TYPE. ALL MATERIALS SHALL BE PER THE PSLUSD APPROVED QUALIFIED PRODUCTS LIST. THE JUMPER CONNECTION SHALL BE MAINTAINED BY THE CONTRACTOR UNTIL THE ASSEMBLY IS REMOVED BY THE PSLUSD.
4. ALL NEW WATER MAINS SHALL BE DOUBLE-PIGGED, FLUSHED, PRESSURE TESTED AND DISINFECTED. NEW MAIN SHALL NOT BE PLACED INTO SERVICE UNTIL THE BACTERIOLOGICAL TEST RESULTS ARE SATISFACTORY AND A WRITTEN APPROVAL HAS BEEN OBTAINED FROM THE PSLUSD.
5. A PHYSICAL SEPARATION SHALL BE MAINTAINED BETWEEN THE EXISTING MAIN AND NEW MAIN, EXCEPT AS NOTED HEREIN. IF THE NEW MAIN IS OF A SIZE OR LENGTH THAT PIGGING/FLUSHING CANNOT BE EFFECTIVELY ACCOMPLISHED WITH THE JUMPER CONNECTION, MORE THAN ONE JUMPER MAY BE USED AS DETERMINED BY THE EOR OR, THE PSLUSD MAY ALLOW A PHYSICAL CONNECTION UNDER CONTROLLED CONDITIONS AS FOLLOWS:
 - a. THE PROCEDURE WILL BE CONDUCTED BY THE CONTRACTOR IN THE PRESENCE OF A PSLUSD INSPECTOR AND THE ENGINEER-OF-RECORD (EOR) OR REPRESENTATIVE.
 - b. THE NEW VALVE(S) SHOWN IN THIS DETAIL SHALL BE PRESSURE/LEAKAGE TESTED AND REPLACED IF LEAKAGE IS OBSERVED. THE VALVES WILL BE KEPT CLOSED BY THE PSLUSD AND SHALL NOT BE OPERATED BY ANY ONE OTHER THAN PSLUSD PERSONNEL.
 - c. THE JUMPER CONNECTION SHALL BE USED TO FILL THE NEW MAIN.
 - d. THE CONTRACTOR SHALL DISINFECT THE PIPE AND FITTINGS USED TO MAKE THE CONNECTION BY SPRAYING AND SWABBING WITH CHLORINE.
 - e. ALL VALVES IN THE NEW SYSTEM DOWNSTREAM OF THE JUMPER SHALL BE OPENED BY THE CONTRACTOR PRIOR TO FLUSHING. THE VALVES SHOWN IN THIS DETAIL SHALL BE OPENED BY PSLUSD PERSONNEL ONLY.
 - f. THE PIGGING AND FLUSHING SHALL BE PERFORMED BY THE CONTRACTOR IN THE PRESENCE OF A PSLUSD INSPECTOR. THE VALVES WILL BE CLOSED BY PSLUSD PERSONNEL AFTER THE MAIN HAS BEEN FLUSHED.
6. THE WATER MAINS SHALL BE PRESSURE TESTED AFTER FLUSHING AND PRIOR TO DISINFECTION. ALL VALVES SHALL REMAIN CLOSED DURING THE PRESSURE TEST AND WILL NOT BE OPENED UNTIL THE RESULTS OF PRESSURE TESTING AND BACTERIOLOGICAL TESTING ARE SATISFACTORY AND THE SYSTEM HAS BEEN ACCEPTED FOR OPERATION BY THE PSLUSD.
7. DISINFECTION SHALL BE CONDUCTED IN ACCORDANCE WITH AWWA C651. A MINIMUM PRESSURE OF 20 PSI SHALL BE MAINTAINED IN THE NEW MAIN AFTER DISINFECTION.
8. CONNECTION TO EXISTING MAINS SHALL NOT BE MADE PRIOR TO BACTERIOLOGICAL CLEARANCE AND UNTIL APPROVED BY THE PSLUSD.
9. UPON WRITTEN ACCEPTANCE OF BACTERIOLOGICAL CLEARANCE BY THE PSLUSD, THE SAMPLING POINTS CAN BE REMOVED AND PLUGGED BY THE CONTRACTOR. THE CONTRACTOR SHALL MAKE THE PERMANENT CONNECTION IN THE PRESENCE OF A PSLUSD INSPECTOR, UNLESS THE CONNECTION WAS PREVIOUSLY MADE AS INDICATED IN NOTE 5D; THE PIPE AND FITTINGS FOR CONNECTION SHALL BE DISINFECTED BY SPRAYING AND SWABBING WITH CHLORINE. ONCE APPROVAL TO PLACE THE WATER SYSTEM INTO OPERATION HAS BEEN RECEIVED, THE JUMPER ASSEMBLY (FLANGE TO FLANGE) WILL BE REMOVED BY THE PSLUSD IN COORDINATION WITH THE CONTRACTOR. THE CONTRACTOR SHALL REMOVE THE REST OF THE JUMPER CONNECTION PIPING AND PLUG THE CORPORATION STOP VALVES.
10. ABANDONED TAP LOCATIONS TO BE SHOWN ON THE AS-BUILTS.

 <p>MINIMUM CONSTRUCTION STANDARDS FOR CITY OF PORT ST. LUCIE 900 S.E. OGDEN LANE PORT ST. LUCIE, FL 34983 PHONE (772) 873-6400 FAX (772) 873-6433</p>	TEMPORARY JUMPER CONNECTION	DETAIL: W-09
		DATE: 2019
		SCALE: N.T.S.
		SHEET: 2 OF 2



NOTES:

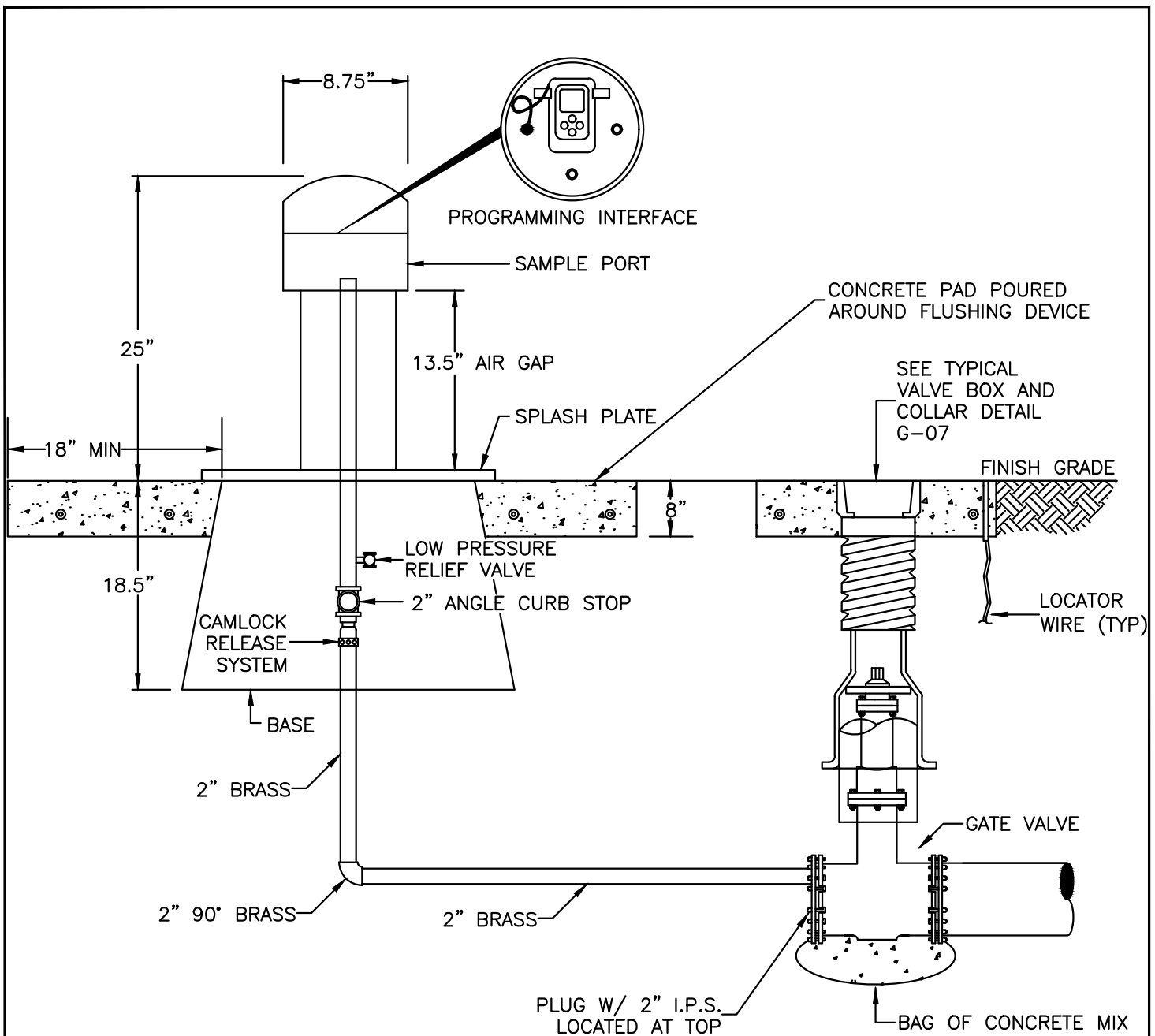
1. AIR VALVE, PIPING AND APPURTENANCES SHALL BE IN ACCORDANCE WITH PSLUSD UTILITY STANDARDS.
2. THE AIR VALVE SHALL BE SIZED BY THE ENGINEER-OF-RECORD (EOR) BASED ON MANUFACTURER'S RECOMMENDATION. THE EOR SHALL CONSULT WITH THE PSLUSD REGARDING THE TYPE OF THE VALVE TO BE USED AND LOCATION.
3. AT THE DIRECTION OF THE PSLUSD, BOLLARDS MAY BE REQUIRED TO PREVENT DAMAGE FROM ACCIDENTS. REFER TO DETAIL G-15 FOR BOLLARD INSTALLATION.



**MINIMUM CONSTRUCTION STANDARDS FOR
CITY OF PORT ST. LUCIE**
 900 S.E. OGDEN LANE
 PORT ST. LUCIE, FL 34983
 PHONE (772) 873-6400 FAX (772) 873-6433

**AUTOMATIC AIR RELEASE VALVE
FOR WATER MAINS**

DETAIL: W-10
DATE: 2019
SCALE: N.T.S.
SHEET: 1 OF 1



Add bollard requirement

NOTES:

1. AUTOMATIC FLUSHING VALVES SHALL BE PROVIDED AT ALL DEAD ENDS UNLESS OTHERWISE APPROVED IN WRITING BY THE PSLUSD.
2. AT THE DIRECTION OF THE PSLUSD, BOLLARDS MAY BE REQUIRED TO PREVENT DAMAGE FROM ACCIDENTS. REFER TO DETAIL G-14 FOR BOLLARD INSTALLATION.
3. UPON WRITTEN REQUEST BY PSLUSD A RESIDENTIAL TYPE WATER METER MAY BE REQUIRED.



**MINIMUM CONSTRUCTION STANDARDS FOR
CITY OF PORT ST. LUCIE
900 S.E. OGDEN LANE
PORT ST. LUCIE, FL 34983
PHONE (772) 873-6400 FAX (772) 873-6433**

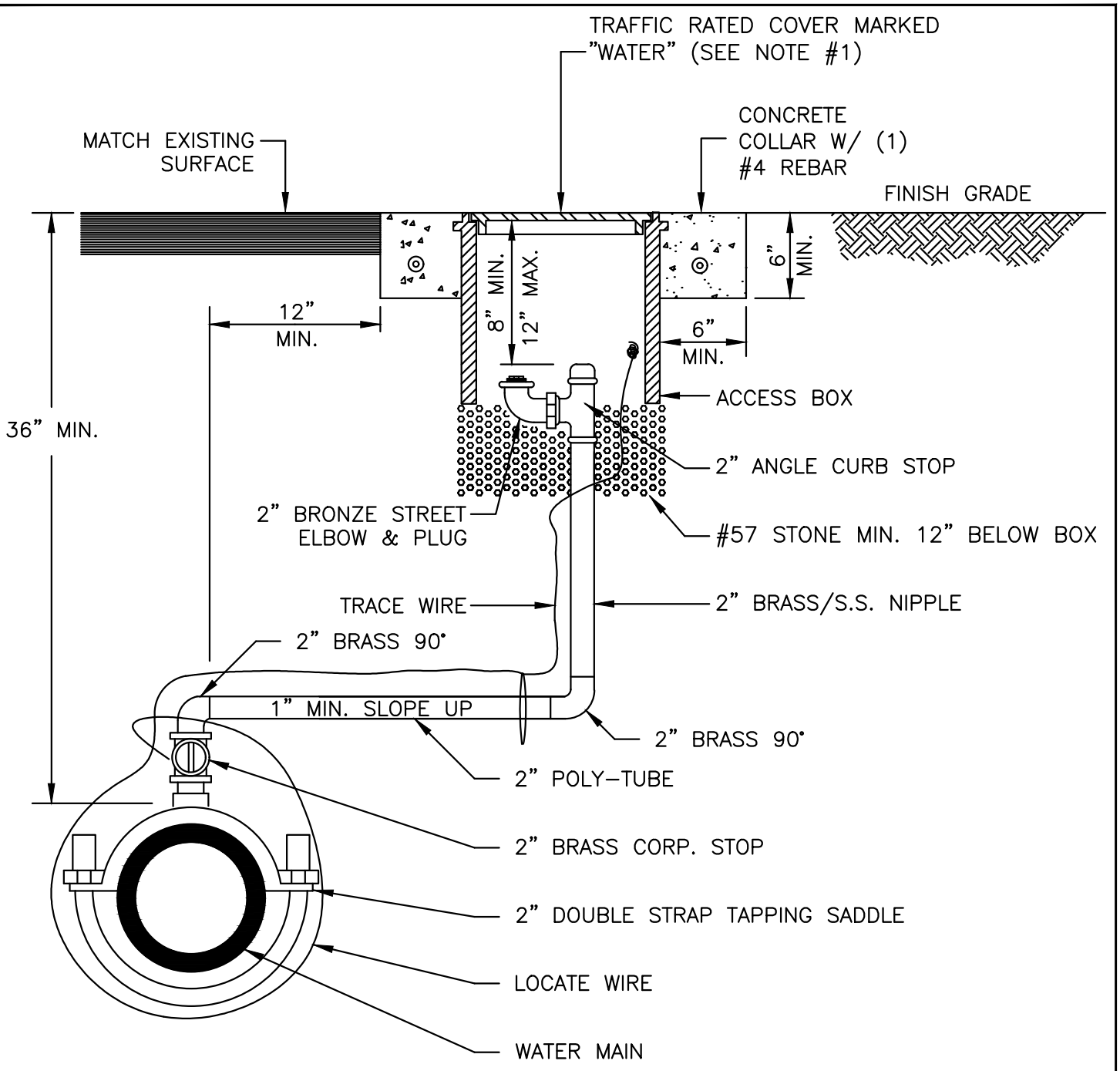
**AUTOMATIC FLUSHING VALVE
FOR WATER MAINS**

DETAIL: W-11

DATE: 2019

SCALE: N.T.S.

SHEET: 1 OF 1



NOTES:

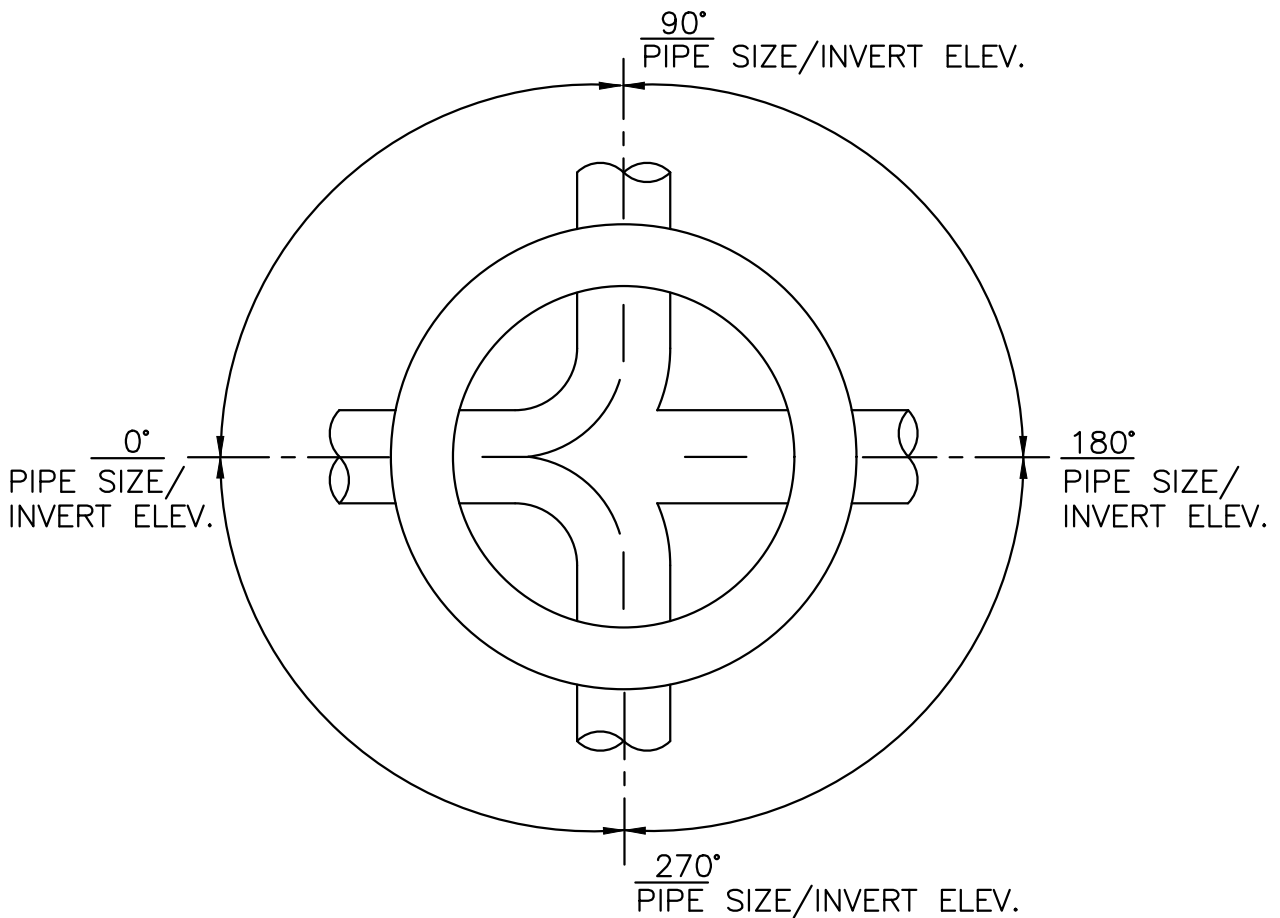
1. COVER SHALL BE PAINTED BLUE.
2. NO CONCRETE COLLAR IN PAVED AREAS.



**MINIMUM CONSTRUCTION STANDARDS FOR
CITY OF PORT ST. LUCIE
900 S.E. OGDEN LANE
PORT ST. LUCIE, FL 34983
PHONE (772) 873-6400 FAX (772) 873-6433**

**MANUAL AIR RELEASE VALVE
ASSEMBLY**

**DETAIL: W-12
DATE: 2019
SCALE: N.T.S.
SHEET: 1 OF 1**



PLAN VIEW

NOTES:

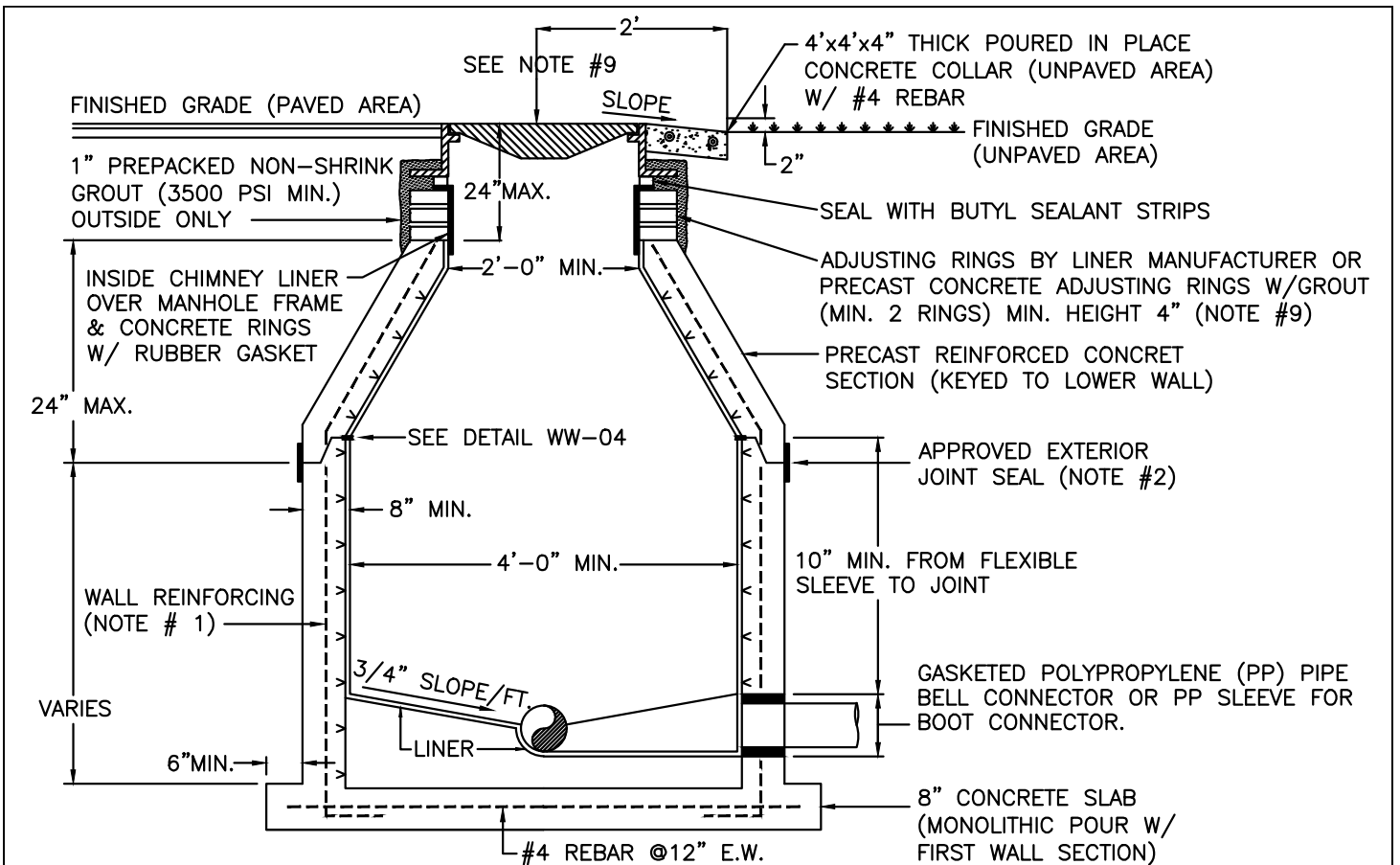
1. THE ENGINEER-OF-RECORD SHALL SUBMIT TO PSLUSD THE SHOP DRAWINGS FOR EACH STRUCTURE, PROVIDING THE DIAMETER OF EACH PIPE, INVERT ELEVATION OF EACH PIPE, RIM ELEVATION AND THE NUMBER OF DEGREES BETWEEN PIPES. (15 DEGREE INCREMENTS IF POSSIBLE)
2. MANHOLE INTERIOR SHALL BE LINED UTILIZING A CORROSION BARRIER SYSTEM. LISTED ON THE PSLUSD QUALIFIED PRODUCT LIST.
3. MANHOLE EXTERIOR SHALL BE COATED WITH A PRIMER AND TWO COATS OF A WATER BASED EPOXY 3-5 MILS EACH PER THE PSLUSD SPECIFICATIONS. APPLICATION SHALL BE IN ACCORDANCE WITH THE MANUFACTURER'S SPECIFICATION.



**MINIMUM CONSTRUCTION STANDARDS FOR
CITY OF PORT ST. LUCIE
900 S.E. OGDEN LANE
PORT ST. LUCIE, FL 34983
PHONE (772) 873-6400 FAX (772) 873-6433**

**INVERT FLOW CHANNELS
FOR
MANHOLES**

**DETAIL: WW-01
DATE: 2019
SCALE: N.T.S.
SHEET: 1 OF 1**

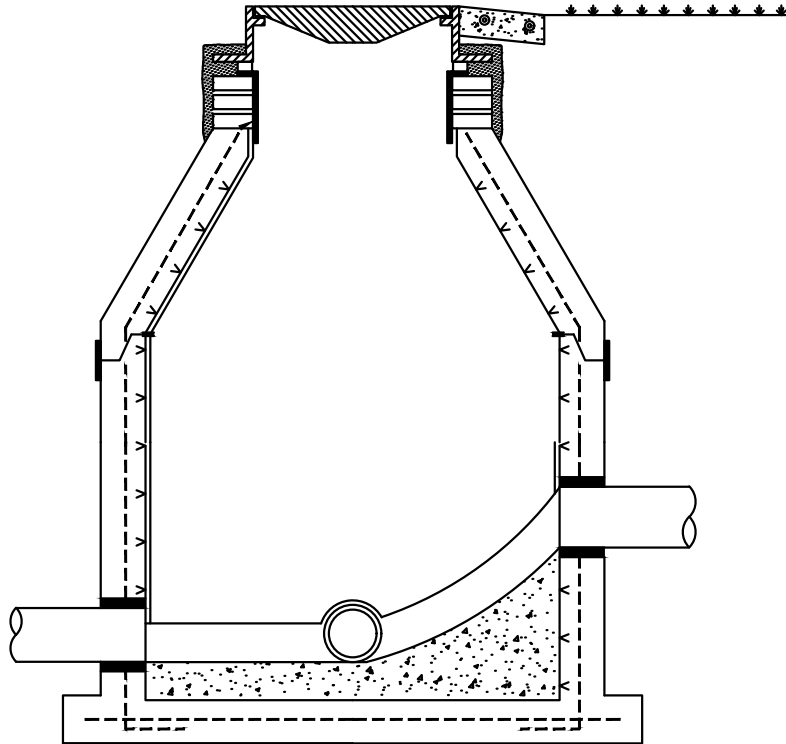


NOTES:

1. MANHOLE FABRICATION SHALL BE IN ACCORDANCE W/ ASTM C-478, LATEST REVISION.
2. SEALANT SHALL BE APPLIED PER MANUFACTURER'S SPECIFICATION BETWEEN MANHOLE SECTIONS & AT ALL JOINTS (SEE DETAIL WW-04). ALSO AN APPROVED EXTERNAL JOINT SEAL MAY BE APPLIED AT THE JOINTS. (EXTERNAL JOINT SEAL IS OPTIONAL)
3. ALL PIPE OPENINGS SHALL BE GAS AND WATER TIGHT WITH NO EXPOSED CONCRETE SURFACES.
4. CAST OPENINGS SHALL BE MANUFACTURED WITH PRECAST HOLE W/ CAST-IN LINER SLEEVE SIZED FOR APPROPRIATE PIPE AND FLEXIBLE CONNECTOR. APPROVED FLEXIBLE MANHOLE CONNECTORS SHALL BE USED AT PIPE CONNECTIONS. HOLE SIZE PER BOOT MANUFACTURER'S SPECIFICATIONS. DOUBLE STAINLESS STEEL PIPE CLAMPS MUST BE INSTALLED ON THE FLEXIBLE SLEEVES WHERE REQUIRED BY BOOT MANUFACTURER'S INSTALLATION INSTRUCTIONS.
5. FLOW CHANNELS SHALL BE CONSTRUCTED TO DIRECT FLOW INTO FLOW STREAM (SEE DETAIL WW-01).
6. LIFT HOLES ARE PERMITTED BUT MUST BE GROUTED ONCE MANHOLE IS IN PLACE.
7. MANHOLE AND BASE WILL BE LINED INSIDE WITH AN APPROVED LINER SYSTEM.
8. AN APPROVED COVER & FRAME SHALL BE PROVIDED. APPROVED INSIDE MANHOLE CHIMNEY SEALANT SHALL BE APPLIED OVER THE MANHOLE FRAME, CONCRETE RINGS, AND LINER SECTION IN ACCORDANCE WITH THE SPECIFICATIONS.
9. MAXIMUM HEIGHT OF CHIMNEY SHALL NOT EXCEED 24 INCHES INCLUDING FRAME CASTING.

CONT. ON SHEET 2 OF 2

 <p>MINIMUM CONSTRUCTION STANDARDS FOR CITY OF PORT ST. LUCIE 900 S.E. OGDEN LANE PORT ST. LUCIE, FL 34983 PHONE (772) 873-6400 FAX (772) 873-6433</p>	<p>STANDARD PRECAST MANHOLE</p>	DETAIL: WW-02
		DATE: 2019
		SCALE: N.T.S.
		SHEET: 1 OF 2



NOTES:

10. EXCAVATION, DEWATERING, BACKFILL & COMPACTION SHALL BE CONDUCTED IN ACCORDANCE W/ THE PSLUSD UTILITY STANDARDS. DENSITY TESTS SHALL BE PERFORMED AND SUBMITTED AS REQUIRED.

11. THE MANHOLE BASE SHALL BE CONSTRUCTED AS SHOWN IN THIS DETAIL WHERE THE DROP IN INVERT EXCEEDS 0.1' BUT IS LESS THAN 2'. FOR DROPS 2' OR GREATER A DROP CONNECTION PER DETAIL WW-03 SHALL BE USED.

12. THE MANHOLE SHALL BE CONSTRUCTED AS SHOWN IN THIS DETAIL WHERE THE DROP IN INVERT EXCEEDS 0.1" BUT LESS THAN 2'. FOR DROPS 2' OR GREATER A DROP CONNECTION PER DETAIL WW-03 SHALL BE USED.



**MINIMUM CONSTRUCTION STANDARDS FOR
CITY OF PORT ST. LUCIE
900 S.E. OGDEN LANE
PORT ST. LUCIE, FL 34983
PHONE (772) 873-6400 FAX (772) 873-6433**

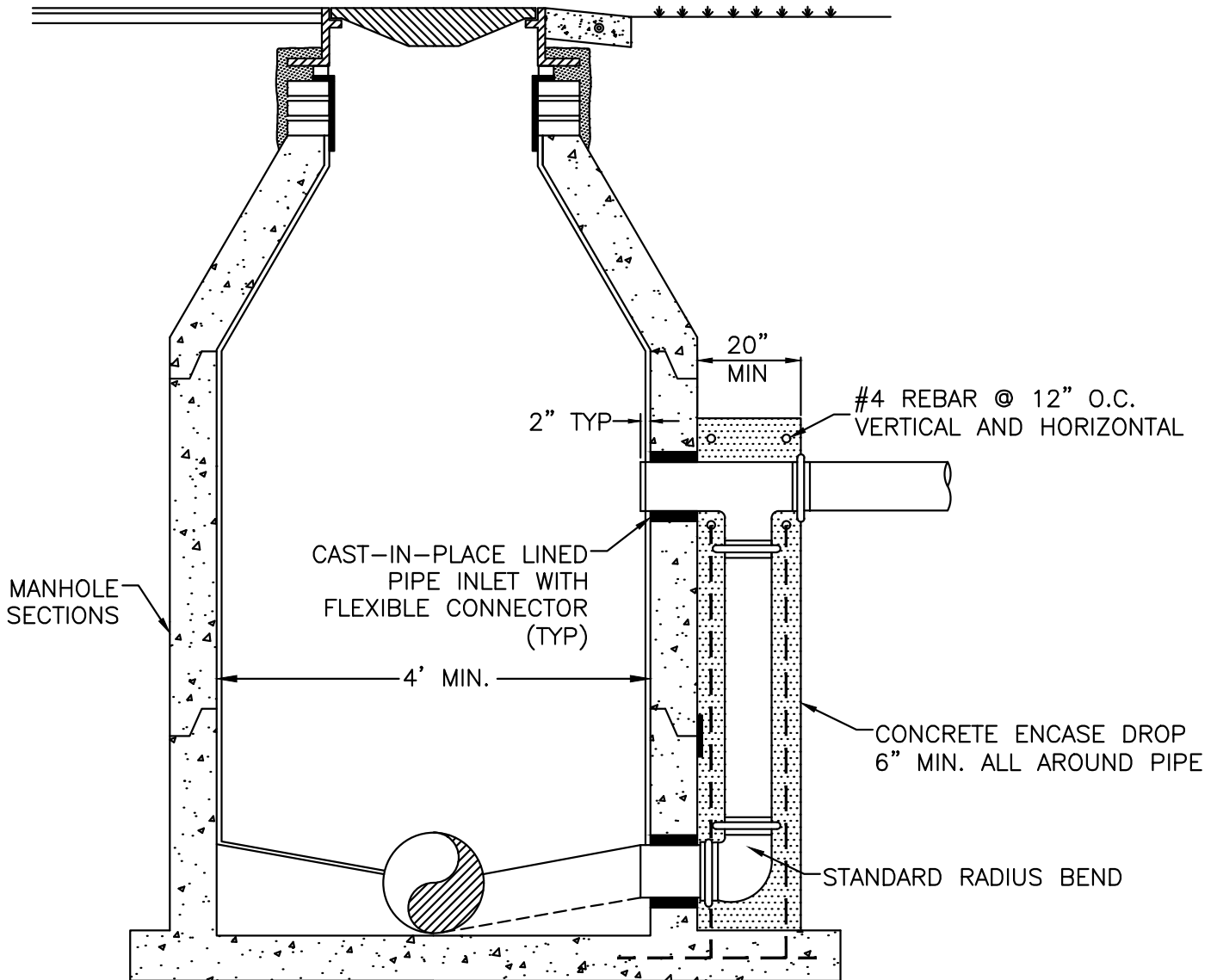
**STANDARD PRECAST MANHOLE
(DROP)**

DETAIL: WW-02

DATE: 2019

SCALE: N.T.S.

SHEET: 2 OF 2



NOTES:

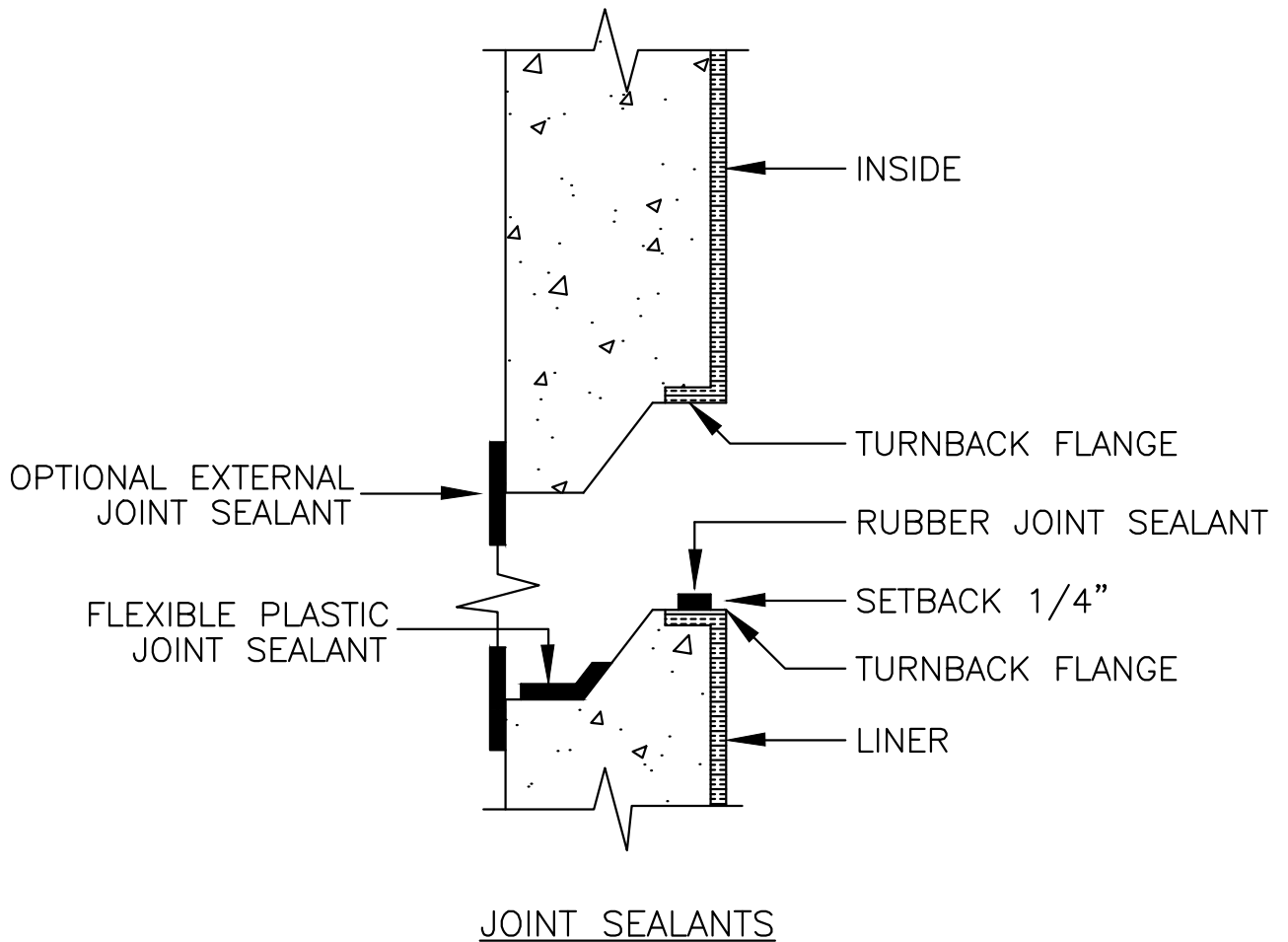
1. A DROP CONNECTION IS REQUIRED WHENEVER AN INFLUENT INVERT IS LOCATED 2' OR HIGHER THAN THE DOWNSTREAM INVERT CHANNEL. MANHOLES WITH A DROP 2.0 FEET OR LESS SHALL BE IN ACCORDANCE WITH DETAIL WW-02.
2. MANHOLE CONSTRUCTION SHALL BE IN ACCORDANCE WITH DETAIL WW-02.
3. PVC SDR 26 PIPE WITH PVC SDR 26 FITTINGS SHALL BE UTILIZED IN THE DROP ASSEMBLY.



**MINIMUM CONSTRUCTION STANDARDS FOR
CITY OF PORT ST. LUCIE
900 S.E. OGDEN LANE
PORT ST. LUCIE, FL 34983
PHONE (772) 873-6400 FAX (772) 873-6433**

OUTSIDE DROP MANHOLE

DETAIL: WW-03
DATE: 2019
SCALE: N.T.S.
SHEET: 1 OF 1



NOTES:

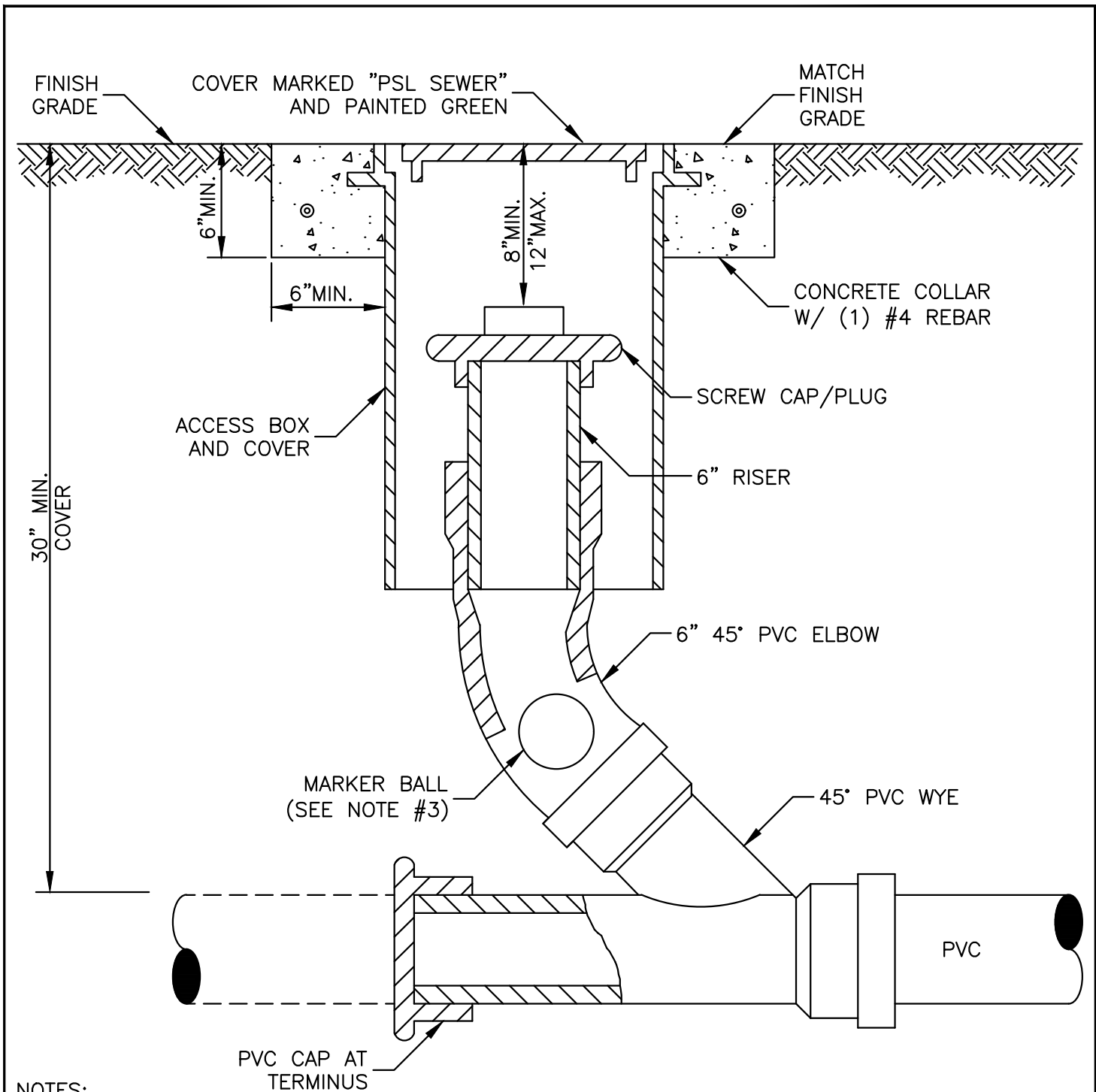
1. APPROVED JOINT SEALANTS SHALL BE USED.
2. WELDED CAP STRIPS AT JOINTS OR WELDED JOINTS MAY BE ACCEPTABLE IF APPROVED IN WRITING BY PSLUSD.



**MINIMUM CONSTRUCTION STANDARDS FOR
CITY OF PORT ST. LUCIE**
 900 S.E. OGDEN LANE
 PORT ST. LUCIE, FL 34983
 PHONE (772) 873-6400 FAX (772) 873-6433

**MANHOLE / WETWELL
JOINT DETAIL**

DETAIL: WW-04
DATE: 2019
SCALE: N.T.S.
SHEET: 1 OF 1



NOTES:

1. AN ACCESS BOX AND COVER SHALL BE USED.
2. CLEANOUT ASSEMBLY SHALL BE INSTALLED AT A MAXIMUM 75' INTERVALS AND AT TERMINAL POINT OF THE PSLUSD RESPONSIBILITY. THE LOCATION SHALL BE IN ACCORDANCE WITH THE PSLUSD UTILITY STANDARDS.
3. MARKER BALL SHALL BE STRAPPED TO THE ELBOW.



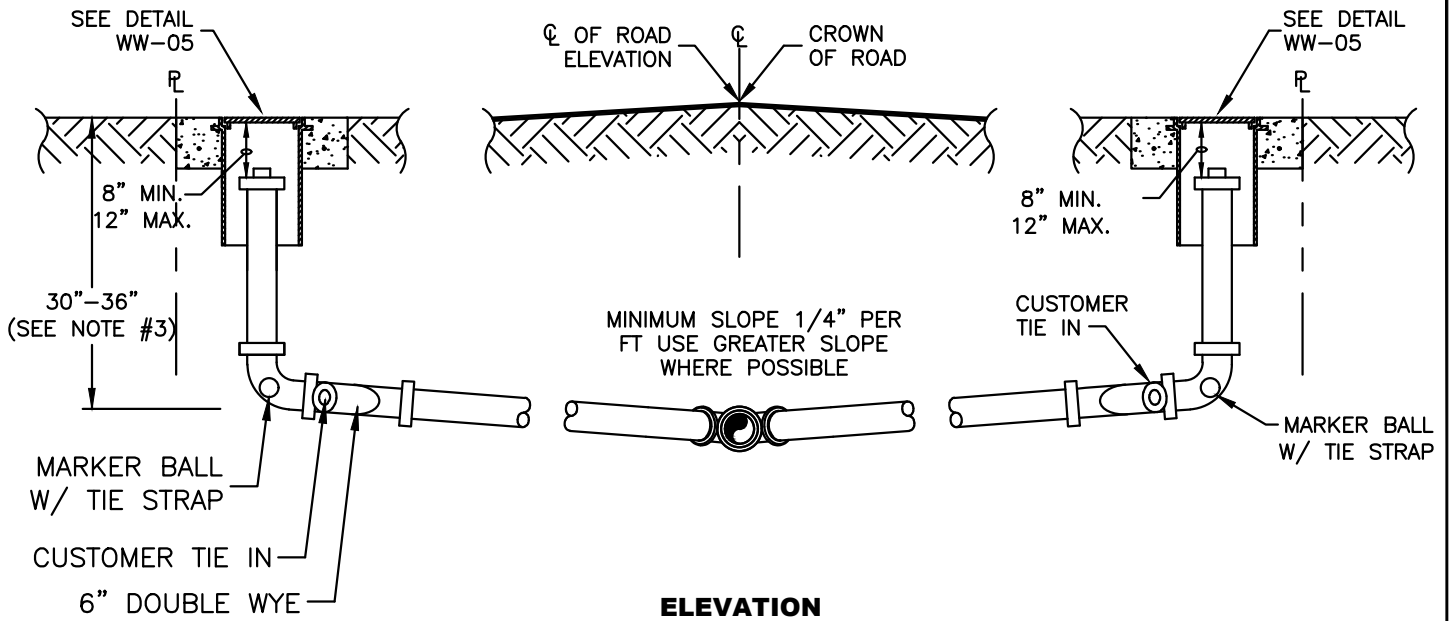
**MINIMUM CONSTRUCTION STANDARDS FOR
CITY OF PORT ST. LUCIE**
 900 S.E. OGDEN LANE
 PORT ST. LUCIE, FL 34983
 PHONE (772) 873-6400 FAX (772) 873-6433

SANITARY SEWER CLEANOUT

DETAIL: WW-05
DATE: 2019
SCALE: N.T.S.
SHEET: 1 OF 1

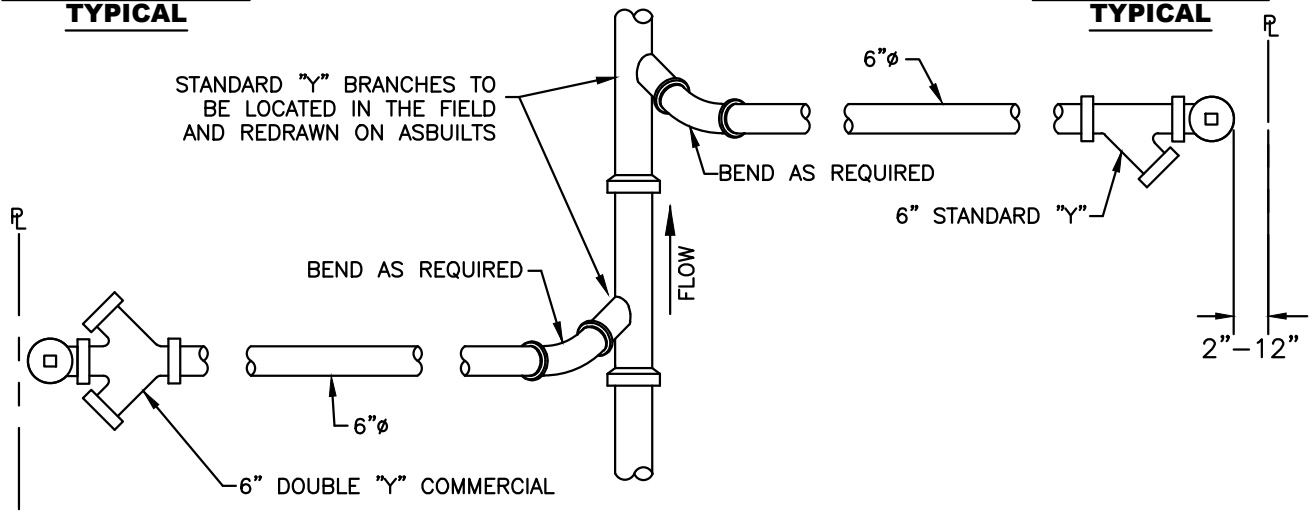
**DOUBLE SERVICE
TYPICAL**

**SINGLE SERVICE
TYPICAL**



**DOUBLE SERVICE
TYPICAL**

**SINGLE SERVICE
TYPICAL**



*SANITARY SEWER CLEANOUT BOXES NOT SHOWN

PLAN VIEW

NOTES:

1. SANITARY SEWER LATERALS SHALL BE 6" IN DIAMETER.
2. THE ENGINEER OF RECORD SHALL ENSURE THAT THE PROPOSED PLUMBING STUB-OUT ELEVATION FOR EACH BUILDING WILL ALLOW FOR A GRAVITY CONNECTION TO THE SANITARY SEWER LATERAL WITH THE REQUIRED SLOPE. HORIZONTAL AND VERTICAL SEPARATION SHALL BE MAINTAINED AS REQUIRED IN THE UTILITY STANDARDS MANUAL.



MINIMUM CONSTRUCTION STANDARDS FOR
CITY OF PORT ST. LUCIE
900 S.E. OGDEN LANE
PORT ST. LUCIE, FL 34983
PHONE (772) 873-6400 FAX (772) 873-6433

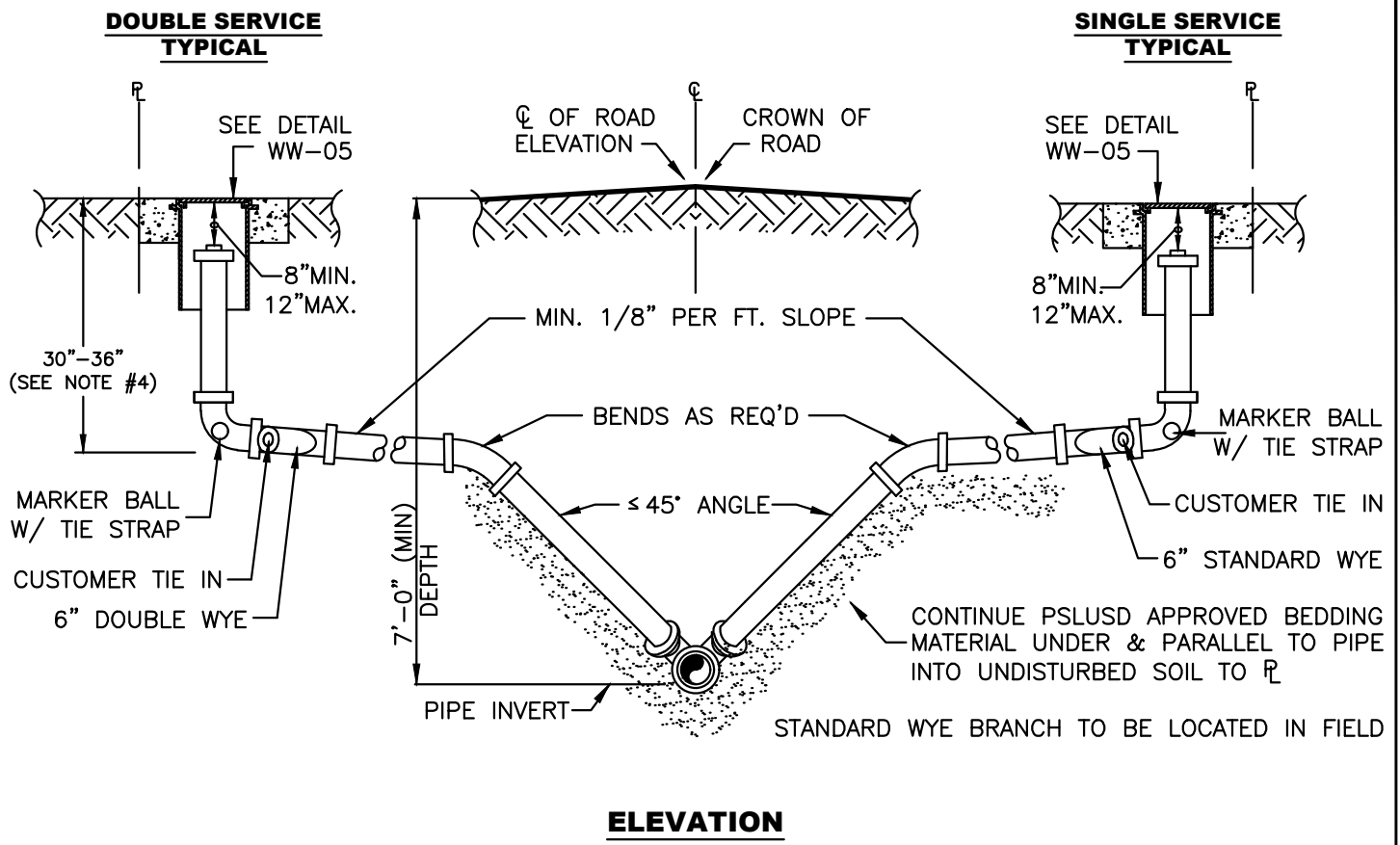
**SANITARY SEWER LATERAL
(SHALLOW)**

DETAIL: WW-06

DATE: 2019

SCALE: N.T.S.

SHEET: 1 OF 1



ELEVATION

NOTES:

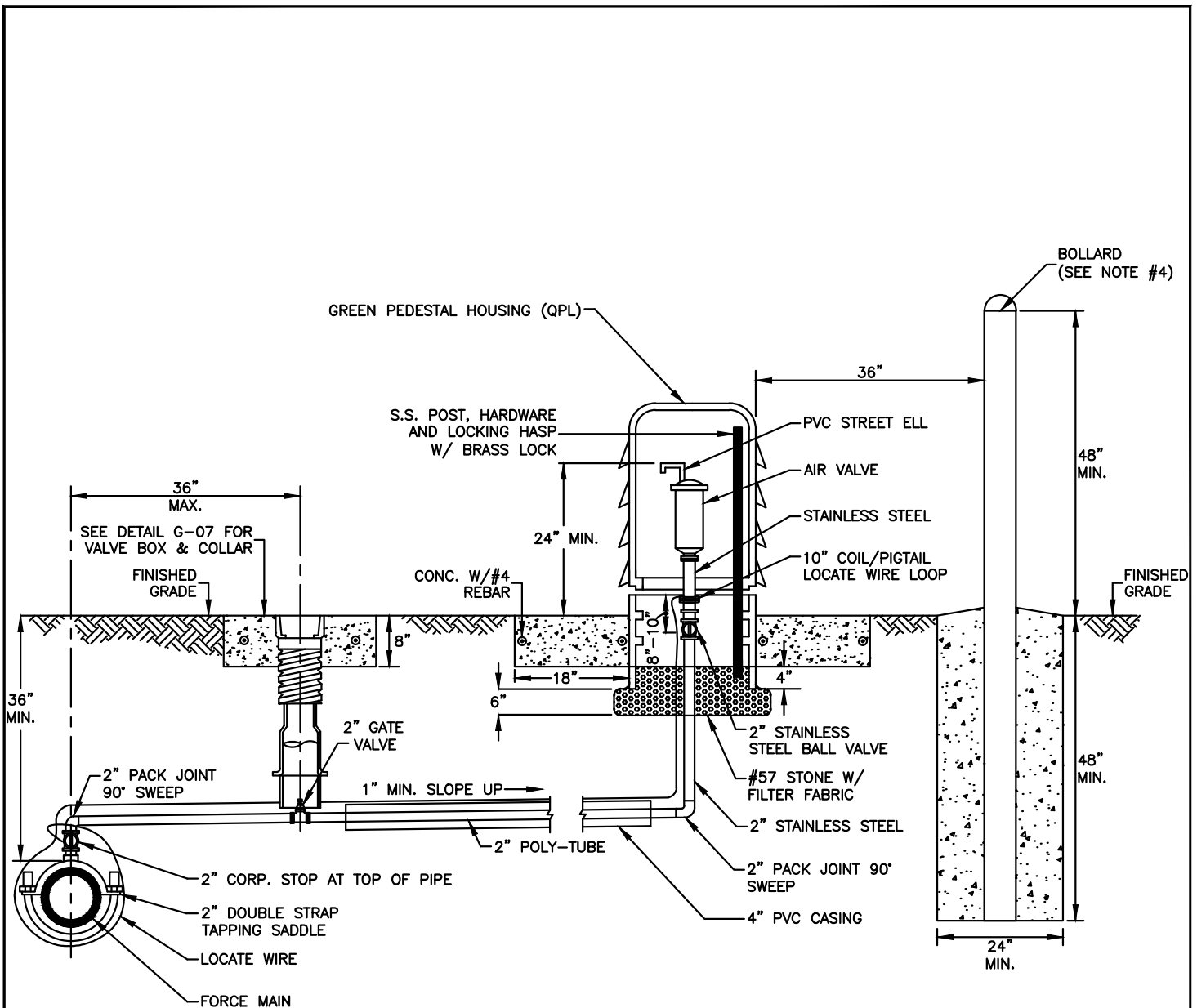
1. PSLUSD APPROVED BEDDING MATERIAL SHALL BE USED FOR EXCAVATION BACK FILL.
2. LOCATE MARKER BALL WITH TIE STRAPS TO BE ATTACHED TO 6" ELBOW.
3. THE ENGINEER OF RECORD SHALL ENSURE THAT THE PROPOSED PLUMBING STUB-OUT ELEVATION FOR EACH BUILDING WILL ALLOW FOR A GRAVITY CONNECTION TO THE SANITARY SEWER LATERAL WITH THE REQUIRED SLOPE. HORIZONTAL AND VERTICAL SEPARATION SHALL BE MAINTAINED AS REQUIRED IN THE UTILITY STANDARDS MANUAL.



**MINIMUM CONSTRUCTION STANDARDS FOR
CITY OF PORT ST. LUCIE
900 S.E. OGDEN LANE
PORT ST. LUCIE, FL 34983
PHONE (772) 873-6400 FAX (772) 873-6433**

**SANITARY SEWER LATERAL
(DEEP)**

DETAIL: WW-07
DATE: 2019
SCALE: N.T.S.
SHEET: 1 OF 1



NOTES:

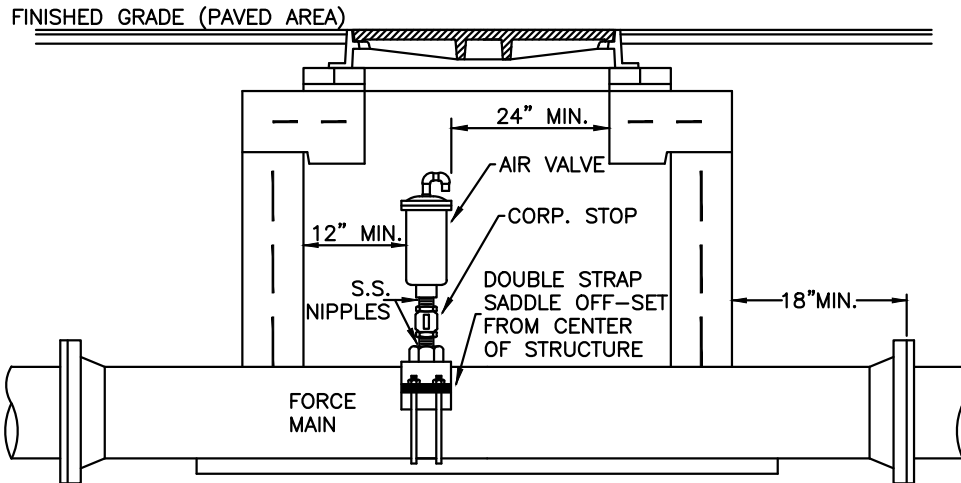
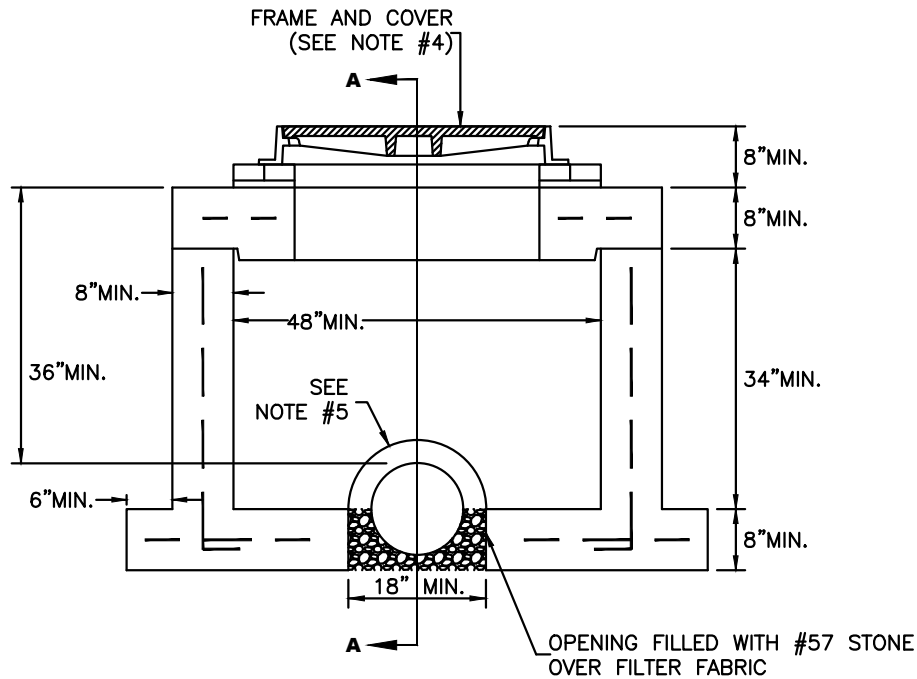
1. ALL AIR RELEASE VALVES SHALL BE INSTALLED IN ACCORDANCE WITH THIS DETAIL. DETAIL WW-09 SHALL BE USED ONLY AS DIRECTED BY PSLUSD IN WRITING.
2. AIR VALVE, PIPING AND APPURTENANCES SHALL BE IN ACCORDANCE WITH PSLUSD UTILITY STANDARDS.
3. THE AIR VALVE SHALL BE SIZED BY THE ENGINEER-OF-RECORD (EOR) BASED ON MANUFACTURER'S RECOMMENDATION. THE EOR SHALL CONSULT WITH THE PSLUSD REGARDING THE TYPE OF THE VALVE TO BE USED AND LOCATION.
4. BOLLARDS (4) ARE REQUIRED AROUND THE PEDESTAL HOUSING UNLESS APPROVED OTHERWISE BY PSLUSD. BOLLARD SHALL BE INSTALLED PER PSLUSD DETAIL G-15.



**MINIMUM CONSTRUCTION STANDARDS FOR
CITY OF PORT ST. LUCIE**
900 S.E. OGDEN LANE
PORT ST. LUCIE, FL 34983
PHONE (772) 873-6400 FAX (772) 873-6433

**AUTOMATIC AIR RELEASE VALVE
FOR FORCE MAINS IN
UNPAVED AREAS**

DETAIL: WW-08
DATE: 2019
SCALE: N.T.S.
SHEET: 1 OF 1



SECTION A

NOTES:

1. THIS DETAIL CAN ONLY BE USED WHEN PRIOR APPROVAL HAS BEEN OBTAINED FROM PSLUSD IN WRITING.
2. AIR VALVE SHALL BE TYPE AND SIZE APPROPRIATE FOR SERVICE INTENDED. FORCE MAINS REQUIRE 2" MINIMUM.
3. THE ACCESS MANHOLE SHALL MEET THE SPECIFICATIONS OF THE UTILITY STANDARDS MANUAL AND CONFORM TO ASTM C-478.
4. A HINGED COVER AND FRAME SHALL BE PROVIDED FOR A MINIMUM OPENING OF 32". THE COVER SHALL NOT HAVE A GASKET, SO THAT AIR CAN EXIT THE MANHOLE AND SHALL BE MARKED "SEWER ARV".
5. A CLEARANCE OF 2" SHALL BE MAINTAINED BETWEEN THE FORCE MAIN AND THE MANHOLE. THERE SHALL BE NO PIPE JOINTS WITHIN THE MANHOLE.
6. A LARGER MANHOLE WILL BE REQUIRED FOR PIPES LARGER THAN 12":

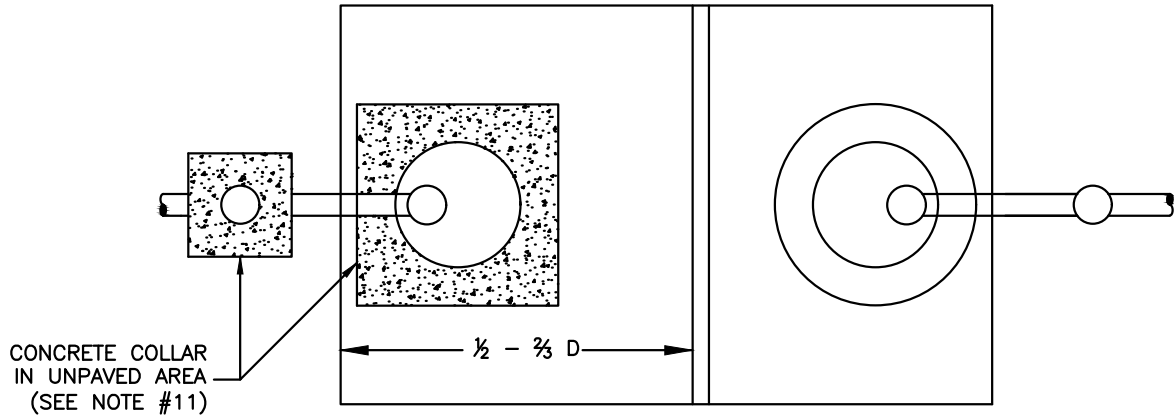
PIPE SIZE	MANHOLE DIAMETER
16"-24"	60"
30"-42"	72"



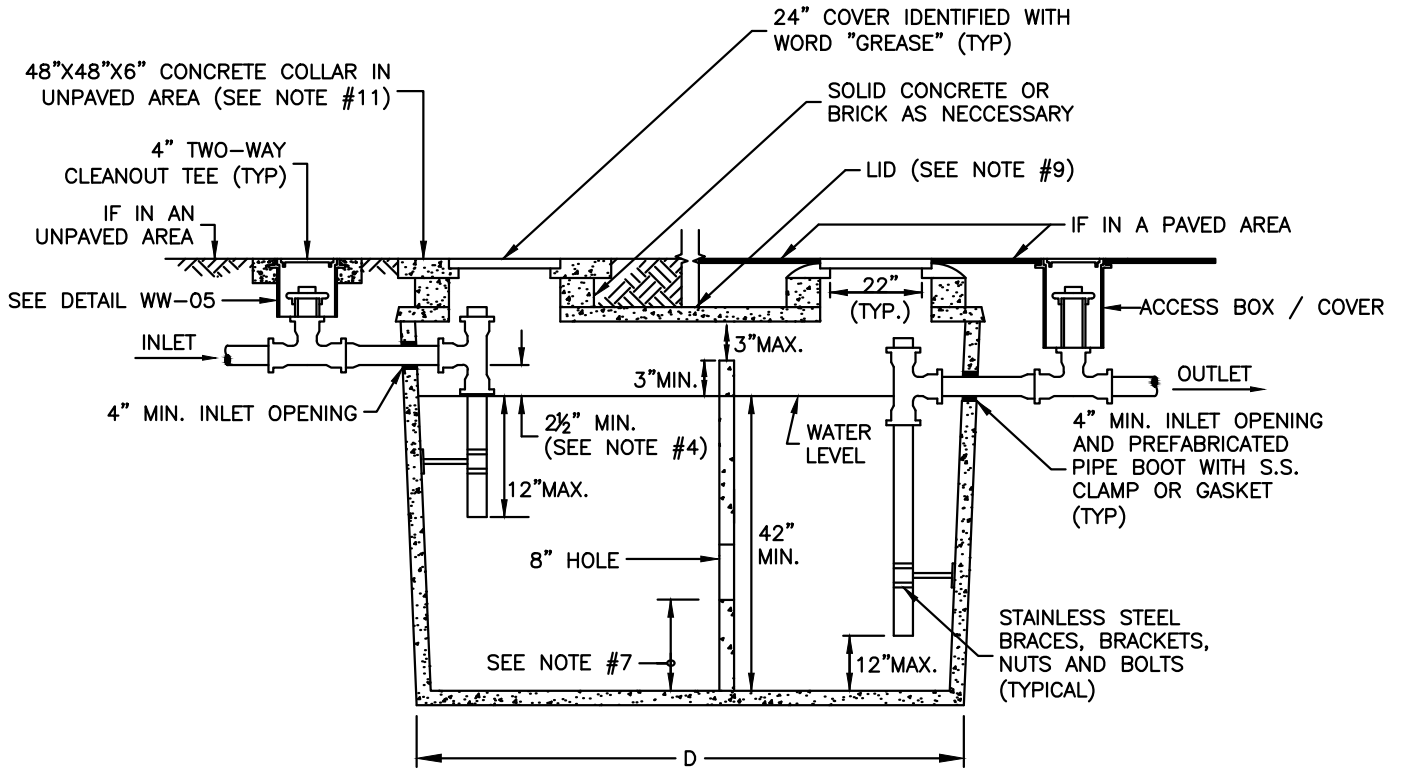
**MINIMUM CONSTRUCTION STANDARDS FOR
CITY OF PORT ST. LUCIE**
900 S.E. OGDEN LANE
PORT ST. LUCIE, FL 34983
PHONE (772) 873-6400 FAX (772) 873-6433

**FORCE MAIN AIR VALVE
AND ACCESS MANHOLE**

DETAIL: WW-09
DATE: 2019
SCALE: N.T.S.
SHEET: 1 OF 1



TOP VIEW



SECTION VIEW

NOTES: SEE SHEET 2



**MINIMUM CONSTRUCTION STANDARDS FOR
CITY OF PORT ST. LUCIE
900 S.E. OGDEN LANE
PORT ST. LUCIE, FL 34983
PHONE (772) 873-6400 FAX (772) 873-6433**

**GREASE, OIL, AND SAND
INTERCEPTOR**

DETAIL: WW-10

DATE: 2019

SCALE: N.T.S.

SHEET: 1 OF 2

STANDARD DETAIL NOTES FOR GREASE/SAND/OIL INTERCEPTORS

THESE NOTES ARE APPLICABLE TO THE STANDARD DETAIL SHEET WW-10A

1. INTERCEPTORS SHALL BE DESIGNED BY A PROFESSIONAL ENGINEER LICENSED IN FLORIDA, IN ACCORDANCE WITH PSLUSD GREASE/OIL/SAND INTERCEPTOR POLICY, APPLICABLE BUILDING CODES AND STATE REGULATIONS. AN APPROVAL MUST BE OBTAINED FROM PSLUSD PRIOR TO INSTALLATION. DEVIATIONS SHALL NOT BE MADE WITHOUT PRIOR APPROVAL.
2. THE INTERCEPTOR SHALL BE BUILT OF PRE-CAST CONCRETE WITH A MINIMUM OF 4" THICK WALLS AND WITH PRE-CAST HOLES FOR THE INLET/OUTLET PIPES. SHOP DRAWINGS SHALL BE SUBMITTED TO THE PSLUSD FOR APPROVAL IF THE TANK IS NOT ON THE APPROVED QUALIFIED PRODUCTS LIST (QPL).
3. ALL PIPING SHALL BE A MINIMUM OF 4" PVC.
4. THE INLET AND OUTLET TEES SHALL BE LOCATED NO MORE THAN 4" FROM END OF THE TANK AND SHALL BE IN ACCORDANCE WITH ASTM C923-98, LATEST REVISION. THE INLET INVERT LEVEL SHALL BE A MINIMUM OF 2½" ABOVE THE WATER LEVEL. THE INLET TEE IS NOT REQUIRED FOR SAND/OIL INTERCEPTORS, HOWEVER, IF USED IT SHALL NOT EXTEND MORE THAN 12" BELOW THE WATER LEVEL. THE OUTLET TEE SHALL EXTEND TO WITHIN 8" OF THE TANK BOTTOM. THE TEES SHALL BE SECURED TO THE TANK WALL AS PER DETAIL SUBMITTED BY THE ENGINEER-OF-RECORD AND APPROVED PSLUSD.
5. THE LIQUID DEPTH SHALL BE AT LEAST 42".
6. INSPECTION PORTS (TWO-WAY CLEAN-OUTS) SHALL BE INSTALLED ON EACH END OF THE INTERCEPTOR, WHICH ARE EASILY ACCESSIBLE FOR INSPECTION/SAMPLING.
7. A BAFFLE SHALL BE INSTALLED ½ (ONE-HALF) TO ⅔ (TWO-THIRDS) 'D' FROM THE INLET SIDE. THE FLOW BETWEEN THE TWO COMPARTMENTS SHALL BE THROUGH AN 8" DIAMETER HOLE IN THE BAFFLE; THE HOLE SHALL BE LOCATED 12" FROM THE TANK BOTTOM FOR A GREASE INTERCEPTOR AND 16" TO 20" FOR A SAND/OIL INTERCEPTOR. A BAFFLE IS NOT REQUIRED IF MULTIPLE INTERCEPTORS ARE INSTALLED IN SERIES, HOWEVER, INSPECTION PORTS SHALL BE INSTALLED ON EACH END OF THE INTERCEPTORS.
8. THE MINIMUM EFFECTIVE CAPACITY OF THE TANK SHALL BE AS REQUIRED BY THE PSLUSD. INSTALLATION OF MULTIPLE TANKS SHALL BE IN SERIES. WHEN MULTIPLE TANKS ARE USED THERE SHALL BE A MINIMUM 4' SEPARATION BETWEEN TANKS WITH THE REQUIRED INSPECTION PORT INSTALLED IN THE CENTER.
9. THE LID SHALL BE AT LEAST 8" THICK. TRAFFIC LIDS SHALL BE DESIGNED IN ACCORDANCE WITH ASTM C890-91, LATEST REVISION.
10. INTERCEPTOR SHALL BE PROVIDED WITH A MANHOLE OVER EACH COMPARTMENT FOR ACCESS. THE MANHOLES SHALL BE BROUGHT TO GRADE AND FITTED WITH COVERS AS SPECIFIED IN THE DETAIL.
11. A CONCRETE COLLAR SHALL BE PROVIDED AROUND THE COVERS AND SANITARY SEWER CLEANOUT BOX WHEN THE INTERCEPTOR IS LOCATED IN AN UNPAVED AREA. GROUND SHALL BE SLOPED AWAY FROM THE INTERCEPTOR TO PREVENT PONDING OF STORM WATER.
12. ALL JOINTS, INCLUDING MID-SEAMS, RISERS AND LIDS SHALL BE SEALED JOINTS AROUND THE RISER AND THE TANK SHALL BE SEALED AND MADE WATERTIGHT.
13. INSTALLATION OF THE INTERCEPTOR AND ITS COMPONENTS SHALL BE PERFORMED BY A LICENSED PLUMBER OR SEPTIC TANK CONTRACTOR REGISTERED WITH THE FLORIDA DEPARTMENT OF HEALTH.
14. INSPECTIONS ARE REQUIRED BY PSLUSD AS PER THE UTILITY STANDARDS. AN INITIAL INSPECTION IS REQUIRED WITH THE TANK ABOVE GROUND.



**MINIMUM CONSTRUCTION STANDARDS FOR
CITY OF PORT ST. LUCIE
900 S.E. OGDEN LANE
PORT ST. LUCIE, FL 34983
PHONE (772) 873-6400 FAX (772) 873-6433**

**GREASE, OIL, AND SAND
INTERCEPTOR**

**DETAIL: WW-10
DATE: 2019
SCALE: N.T.S.
SHEET: 2 OF 2**